



Variable Optical Attenuator Module

Variable Optical Attenuator (VOA)

Max 2W

Feature

- Support High Power
- Low Insertion Loss / Low PDL (<0.1dB Guaranteed)
- C & L-band
- Shutter functions
- Low Price

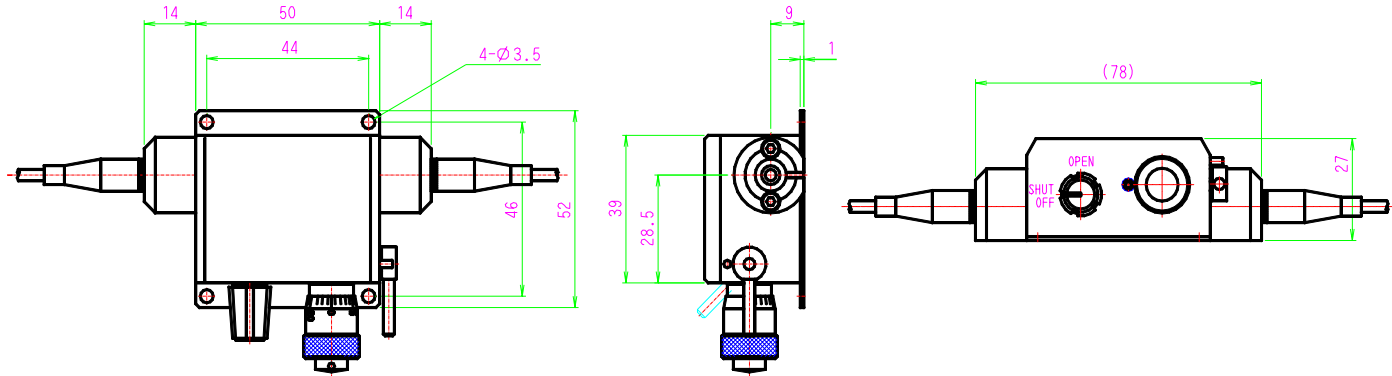


Specifications

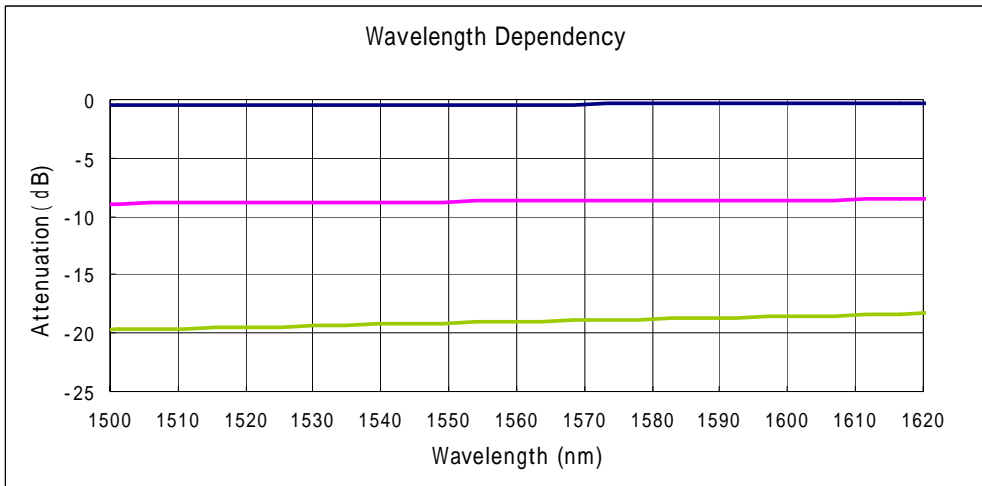
| Specifications | VOAA15-20-S/S | VOAA15-40-S/S |
|-------------------|------------------|---------------|
| Wavelength Range | 1500 - 1620nm | |
| Max Input Power | 2W (CW) | |
| Insertion Loss | 0.6dB | |
| PDL (< ATT10dB) | 0.1dB | |
| Attenuation Range | 0 - 20dB | 0 - 40dB |
| Return Loss | 50dB | |
| Fiber | SMF or DSF | |
| Connector | FC/SPC or SC/SPC | |

OPTOQUEST PRODUCTS

Dimensions



Wavelength Dependency



Order Information

Typical product

Sample : V O A A 1 5 - 2 0 - S / S

| | | |
|------------------------|---|-------------------|
| Wavelength | 13: 1310nm | 15: 1550nm |
| MAX Attenuation | 20: 20dB | 40: 40dB |
| Fiber | S: SMF D: DSF P: PMF DP: DS-PMF | |
| Connector | F: FC/SPC S : SC/SPC FA : FC/APC SA : SC/APC | |

アイウェーブ株式会社

〒101-0054 東京都千代田区神田錦町3-23-1

メットライブ神田錦町ビル13階

TEL:03-5281-8652 FAX:03-5281-8654

E-mail: sales@i-waveco.com

URL: <http://www.i-waveco.com>

I-WAVE Corporation.

MetLife Kanda Nishikicho Bldg 13F, 3-23-1 Kanda Nishikicho, Chiyoda-ku, Tokyo, 101-0054, Japan

TEL:+81(0)3-5281-8652 FAX:+81(0)3-5281-8654

E-mail: sales@i-waveco.com URL: www.i-waveco.com