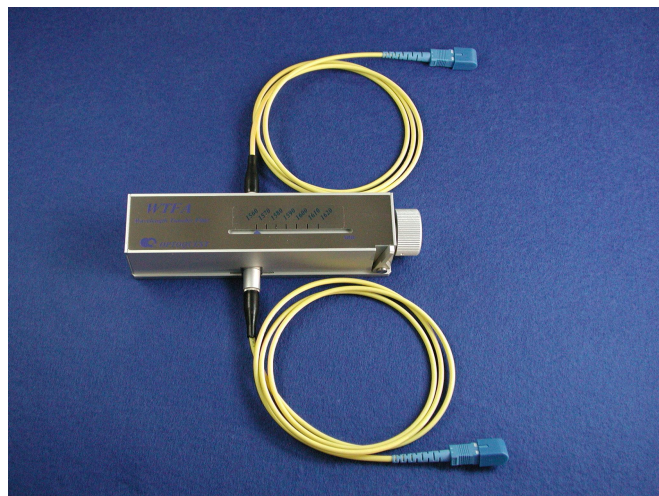


# Wavelength Tunable Filter

## Key Features

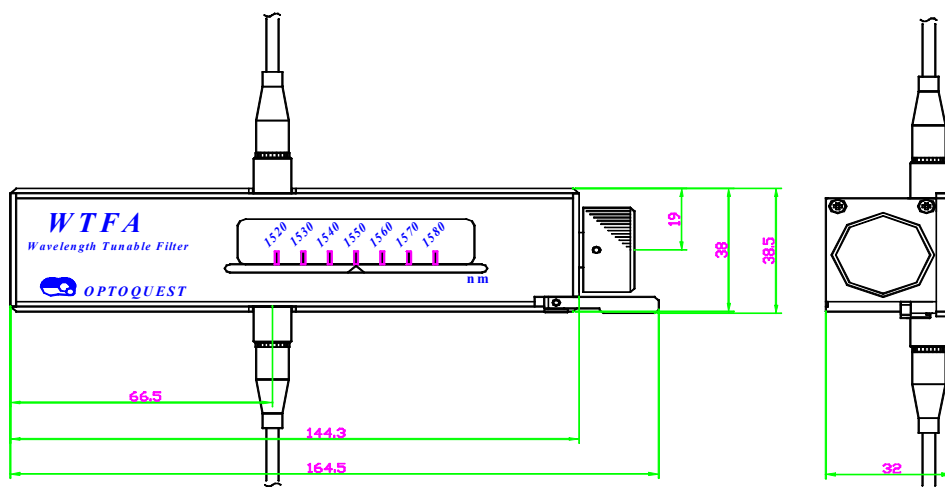
- Wide tuning range (60 nm)
- Custom specified filter available
- Very low PDL
- Cascaded package available (Option)



## Specification

Example of module	Wavelength Tunable Optical Filter (WTF)	
	Model: WFA1580-0.5-S/F	Model: WFA1620-1-S/F
Wavelength range	1520~1580 nm	1560~1620nm
-3 dB bandwidth	0.5 nm±0.2 nm	1nm±0.2nm
Insertion Loss	≤3.0 dB	≤1.5dB
PDL	≤0.1 dB	≤0.1dB
Return Loss	≥50 dB	≥50dB
Optical Fiber	SMF or DSF (Φ3 mm cord)	SMF or DSF (Φ3 mm cord)
Fiber Length	1m±0.1m	1m±0.1m
Optical Connector	FC/SPC or SC/SPC	FC/SPC or SC/SPC

# OPTOQUEST PRODUCTS



## Order form

1) Product: Wavelength tunable filter module (S-band/ Single Type)

Order form: WTFA 1530- 3- D / F  
 ① ② ③ ④

2) Product: Wavelength tunable filter module (C-band/ Single Type)

Order form: WTFA 1580- 0.5 - S / F  
 ① ② ③ ④

3) Product: Wavelength tunable filter module (L-band/ Cascaded Type)

Order form: WTFA 1620- 1- D- S / S  
 ① ② ⑤ ③ ④

① Wavelength	1530: 1470~1530 nm    1580: 1520~1580 nm 1620: 1560~1620 nm
② Bandwidth (FWHM)	0.5: 0.5 nm±0.2 nm    1: 1 nm±0.2 nm    3: 3 nm±0.2 nm
③ Optical Fiber	S: SMF    D: DSF    P: PMF
④ Optical Connector	F: FC/SPC    S: SC/SPC    FA: FC/APC    SA: SC/APC
⑤ Module Type	N: Single    D: Cascaded

## I-WAVE Corporation.

MetLife Kanda Nishikicho Bldg 13F, 3-23-1 Kanda Nishikicho,  
Chiyoda-ku, Tokyo, 101-0054, Japan

TEL: +81(0)3-5281-8652 FAX: +81(0)3-5281-8654

E-mail: sales@i-waveco.com URL: <http://www.i-waveco.com>