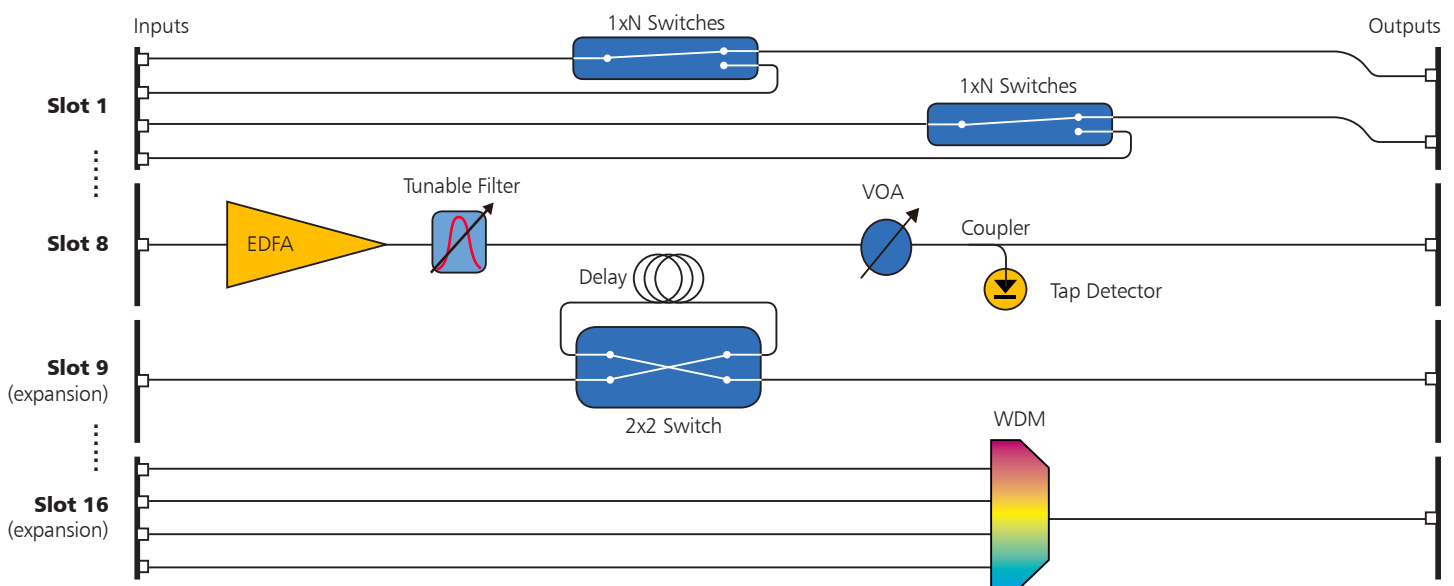


# GP850 GENERAL PURPOSE EXPANDABLE TEST PLATFORM

DiCon's GP850 is a flexible, modular rackmount system designed to automate fiber optic testing. Up to eight plug-and-play slot cards containing various devices such as switches, VOAs, tunable filters, etc.. can be added or changed as test requirements change. The devices on and configuration of the slot cards can also be customized. An additional expansion chassis can increase the total slots to sixteen. Full control is simple and intuitive through a single interface.



## FEATURES

- Plug and play modularity
- Full control via a single interface
- Wide selection of optical devices and slot cards

## APPLICATIONS

- Test & Measurement
- Fiber Monitoring
- Commercial & Defense Networks



1689 Regatta Blvd.  
 Richmond, CA 94804  
 (510) 620-5200  
[www.diconfiberoptics.com](http://www.diconfiberoptics.com)

**Commercial Business**  
[sales@diconfiberoptics.com](mailto:sales@diconfiberoptics.com)  
**US Government Business**  
[sales@diconusa.com](mailto:sales@diconusa.com)

# GP850 EXPANDABLE TEST PLATFORM

## OPTICAL SPECIFICATIONS

PARAMETER	RATING
Optical devices on slot card	Switch, VOA, tunable filter, WDM, detector, transceiver, optical amplifier, laser, fiber delay, and more
Operating wavelength (nm)	780 – 2300, other
Fiber type	SMF-28, OM4, Panda, other

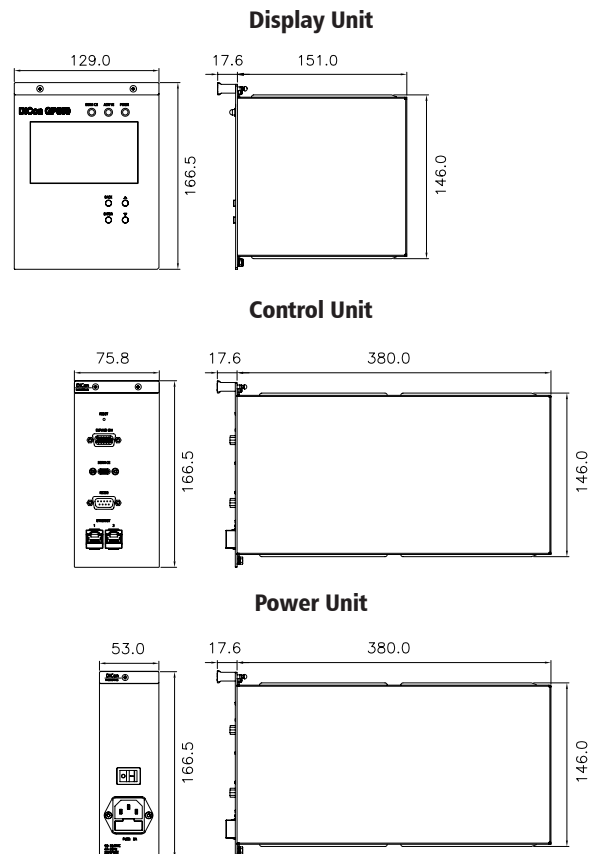
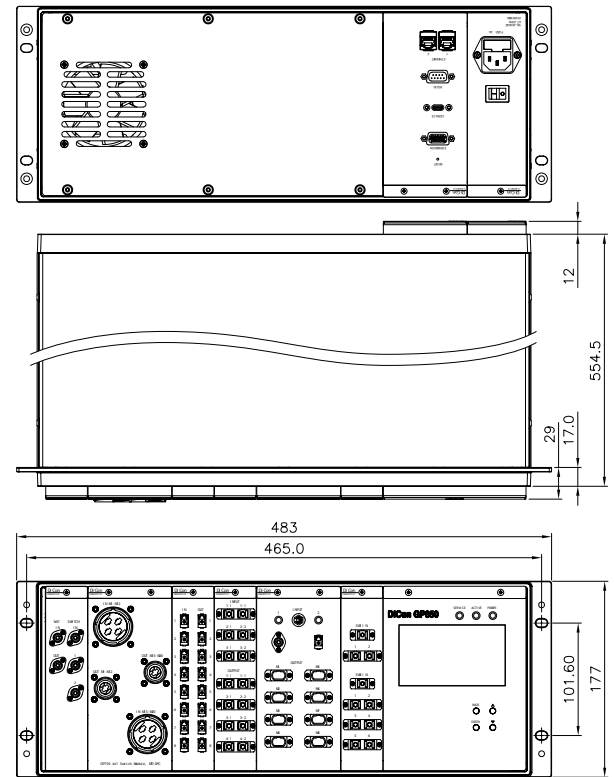
## CHASSIS SPECIFICATIONS

PARAMETER	RATING
Maximum number of slot cards	8 16 total with expansion chassis
Control Interfaces	Dual Gigabit Ethernet (RJ45 Female) RS-232 (DB9 Female)
Power Supply (Voltage AC)	90 – 265
Software Interface	REST API, Web GUI, Serial
Chassis Dimensions (mm/WxHxD)	4U Extended 483 x 177 x 554.5
Operating temperature (°C)	0 to 50
Storage temperature (°C)	-20 to 60
Environment Relative Humidity (%)	0 to 80 non-condensing
Fiber connectors	LC, FC, MTP, other

\* Please contact DiCon Fiberoptics to discuss any special requirements not defined above.

## MECHANICAL SPECIFICATIONS

Dimensions in mm



# GP850 EXPANDABLE TEST PLATFORM

## ORDERING INFORMATION

### GP850 CHASSIS

**GP850 - 4U -**

Product Code	
<b>GP850</b>	GP850 System
Chassis Height	
<b>4U</b>	4U Rackmount
Module Access	
<b>FRONT</b>	Front Loading Chassis
<b>REAR</b>	Rear Loading Chassis

### DISPLAY

**GP850 - 4U - DISP**

Product Code	
<b>GP850</b>	GP850 System
Chassis Height	
<b>4U</b>	4U Rackmount
Module Access	
<b>DISP</b>	Display

### CONTROL

**GP850 - 4U - CTRL**

Product Code	
<b>GP850</b>	GP850 System
Chassis Height	
<b>4U</b>	4U Rackmount
Module Access	
<b>CTRL</b>	Control

### POWER

**GP850 - 4U - PWR**

Product Code	
<b>GP850</b>	GP850 System
Chassis Height	
<b>4U</b>	4U Rackmount
Module Access	
<b>PWR</b>	Power

The GP850 includes a 4U chassis with front or rear optical plug-in slot card access, a control unit and a power unit, as well as up to 8 optical plug-in slot card.

To order, please include:

- 1 GP850 Chassis (Ex: GP850-4U-FRONT)
- 1 Display Unit (Ex: GP850-4U-DISP)
- 1 Control Unit (Ex: GP850-4U-CTRL)
- 1 Power Unit (Ex: GP850-4U-PWR)
- Up to 8 Optical Plug-In Modules

### Sample Order

For a front loading GP850 system containing two 1x16 switches and one 16x8 3D matrix switch, the following would need to be ordered:

Qty 1 of GP850 Chassis  
P/N: GP850-4U-FRONT

Qty 1 of GP850 Display  
P/N: GP850-4U-DISP

Qty 1 of GP850 Control Unit  
P/N: GP850-4U-CTRL

Qty 1 of GP850 Power Unit  
P/N: GP850-4U-PWR

Qty 2 of GP850 1x16 Switch Module  
P/N: GP8-M-1S-1x16-P-9-C-0-FC-N

Qty 1 of GP850 16x8 3D Matrix Switch Module  
P/N: GP8-X-2S-16x8-P-9-C-0-FC-N

