

100 GHZ BENCHTOP MEMS TUNABLE FILTER

DiCon's Benchtop MEMS Tunable Filter is designed for ASE noise suppression and signal clean, typically for lab or production test and measurement applications.

This tunable filter operates by using a grating to de-multiplex the incoming light and then precisely directs the requested passband to the output fiber, using a patented ultra-stable and reliable MEMS mirror.



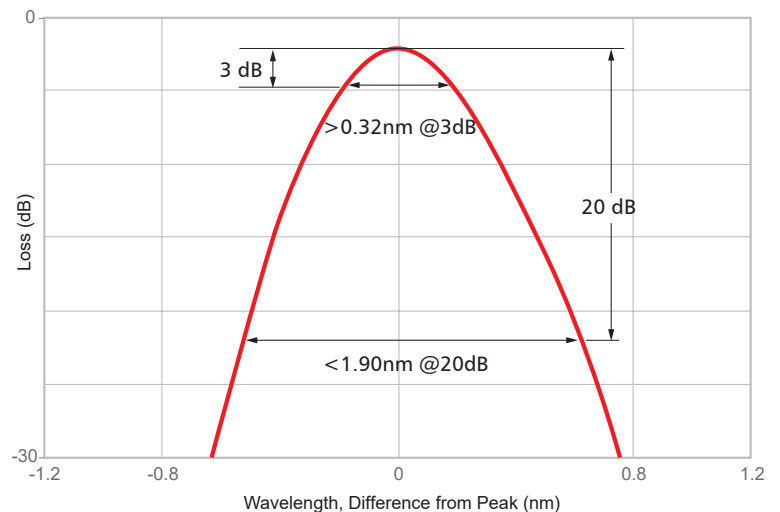
FEATURES

- 126mm x 106mm x 34mm Benchtop Box
- RS-232 Control
- Fast Tuning Speed

APPLICATIONS

- Noise Suppression (eg. for ASE noise)
- Signal Clean Up

OPTICAL SPECTRUM



100 GHZ BENCHTOP MEMS TUNABLE FILTER

OPTICAL SPECIFICATIONS¹

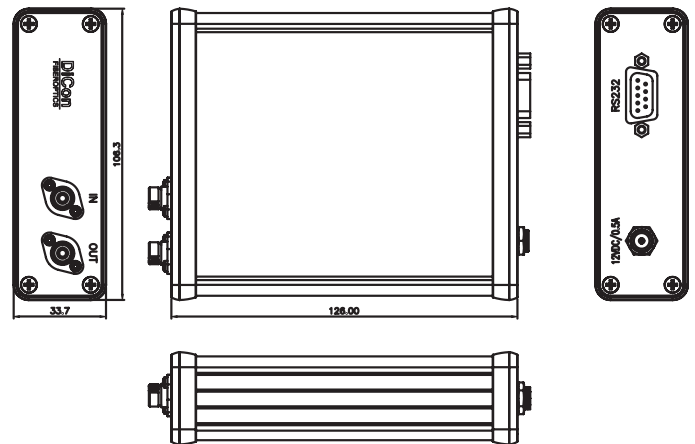
| PARAMETER | RATING |
|------------------------|-----------------------|
| IL @ Peak ² | 4.5 dB max. |
| Bandwidth @ 3 dB | 0.32 nm min. |
| Bandwidth @ 20 dB | 1.90 nm max. |
| Back Reflection | -35 dB max. |
| PDL | 0.4 dB max. |
| Tuning Resolution | 10 pm |
| Tuning Speed | 30 ms max. |
| Optical Power | 500 mW max. |
| Durability | 1 billion cycles min. |
| Operating Temp | -5 to 70 °C |
| Storage Temp | -40 to 85 °C |
| Fiber Type | 9/125 mm single mode |

- All specifications referenced without connectors.
- IL measured at 25°C +/- 5°C. IL < 5.0 dB over entire operating temperature range.

ELECTRICAL

| PARAMETER | RATING | |
|--------------------------|----------------|-----------------------|
| Latching Type | Non-latching | |
| Control Type | RS232 | |
| Connectors | RS232 | DB9 female receptacle |
| | DC Power Jack | 2 x 5.5 mm |
| AC Adapter Input Voltage | 100 to 240 VAC | |

MECHANICAL (Units: mm)



ORDERING INFORMATION

MTFB- 0.32 - - - - - - -

Bandwidth @ 3 dB

0.32 0.32 nm min

Tuning Range

13E1 1260-1340 nm
13E2 1290-1370 nm
E 1370-1450 nm
S 1450-1530 nm
15/16 1530-1610 nm

Custom Tuning Range Available Upon Request

Fiber Type

9 9/125 mm single mode fiber

Connector Type

FC FC/SPC
FC/UPC FC/UPC
FC/APC FC/APC

Also Available: SC, SC/UPC, SC/APC, ST, ST/UPC, LC

Port Type

B Bulkhead Adaptors

Port Length

F Front Panel

AC Adapter Plug Type for the Included Power Supply

AU AU Type
EU EU Type
UK UK Type
US US Type