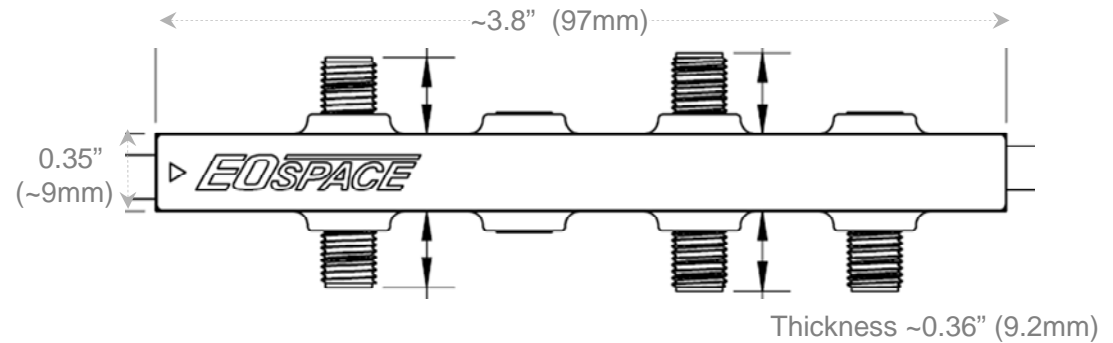
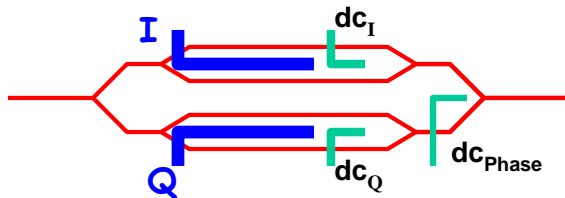
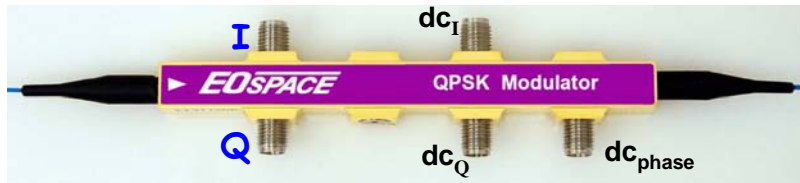


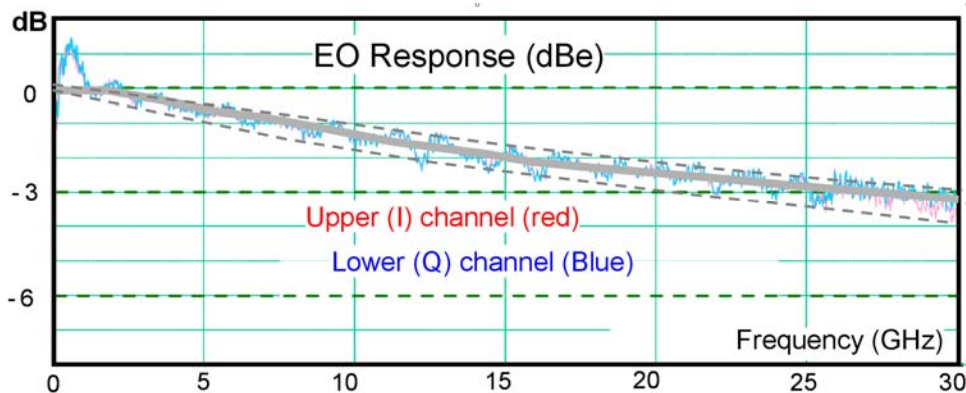
I/Q Modulator

(Low- V_{π} , 25GHz version)

EOSPACE



Typical Measured Electro-optic Response



- Wavelength of operation: $\lambda \sim 1.55\mu\text{m}$
- RF connectors for I/Q:
2.92mm (or K Female connector)
- RF connectors for DC: SMA
- Fiber Input (PMF); Output (SMF or PMF)
- Fiber connector: FC/UPC, FC/APC, SC, etc.

- X-cut LiNbO₃ (zero-chirp), Single-drive
- Dual-Parallel - Nested Modulator
- I/Q Modulator • QPSK Modulator
- 25 GBaud (each I & Q channel)

Insertion Loss: <5 dB (std); (option: <4dB)
(all DC biases set at peak transmission)

I/Q V_{π} ~3.0 V @1GHz (Maximum 3.3V)

BW ~20-25 GHz

S_{11} < -10dB (dc→20GHz)

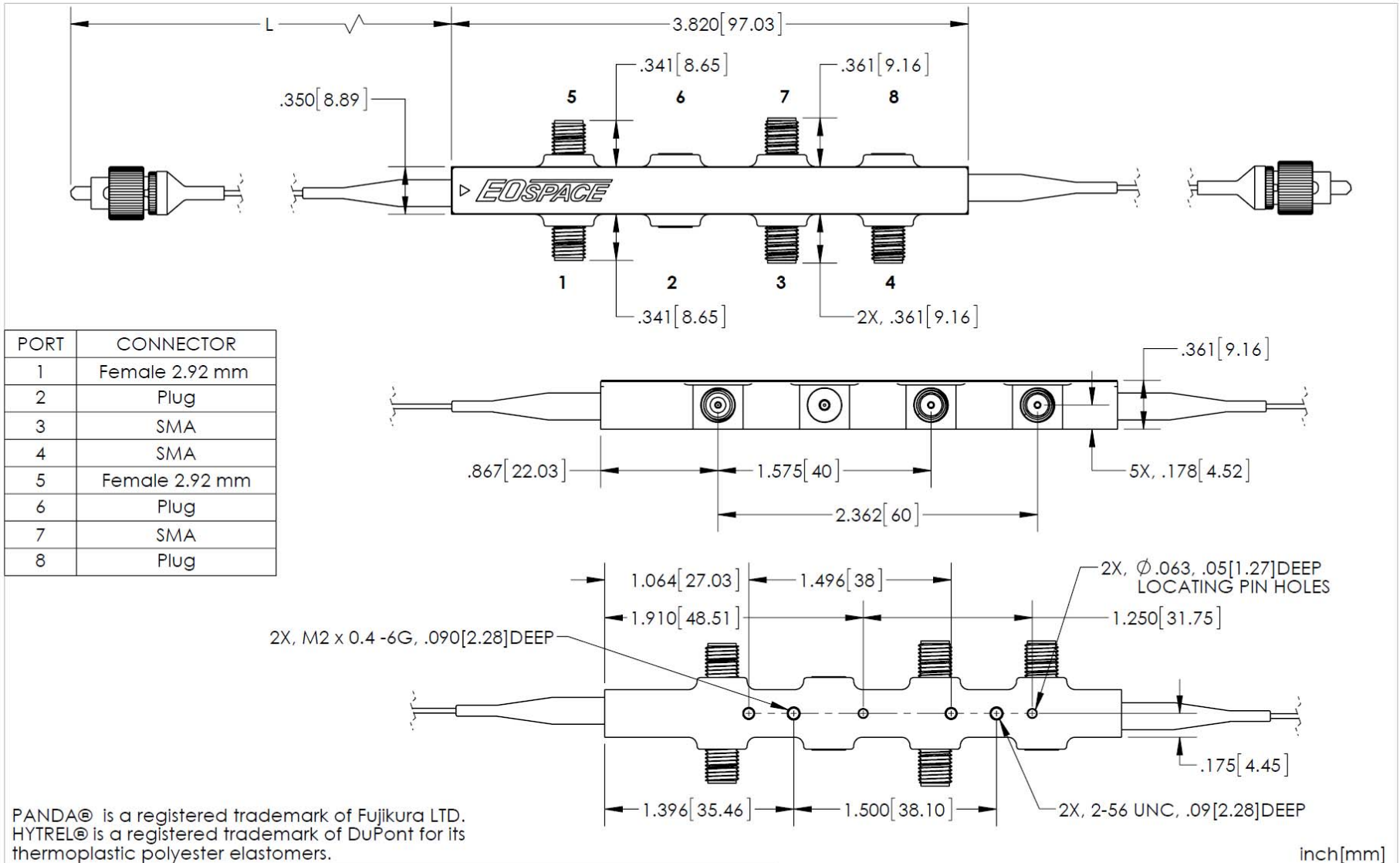
Bias voltages: dc-I V_{π} : <10 V

dc-Q V_{π} : <10 V

dc-phase V_{π} : <15 V

Extinction Ratio(ER): >20 dB

I/Q Modulator Package



PORT	CONNECTOR
1	Female 2.92 mm
2	Plug
3	SMA
4	SMA
5	Female 2.92 mm
6	Plug
7	SMA
8	Plug

PANDA® is a registered trademark of Fujikura LTD.
 HYTREL® is a registered trademark of DuPont for its thermoplastic polyester elastomers.

SPECIFICATIONS	
RF Port Connectors for I/Q	2.92 mm Female Connectors
RF Port Connectors for DC	SMA Female Connectors
Input Fiber	PANDA® Polarization Maintaining
Output Fiber	PANDA® Polarization Maintaining or SM Optical Fiber
Cabling	ϕ 900 μ m HYTREL® polyester loose tube
Optical Connectors	FC/UPC, FC/APC, SC, others

Customer Drawing

MODEL NUMBER:
 PER SPECIFICATION

PROPRIETARY AND CONFIDENTIAL
 EOSPACE INC. RESERVES THE RIGHT TO
 MAKE CHANGES TO THE PRODUCT(S)
 OR INFORMATION CONTAINED HEREIN
 WITHOUT NOTICE. NO LIABILITY IS
 ASSUMED AS A RESULT OF THEIR USE
 OR APPLICATION.

EOSPACE 8711 148th Ave. NE
 Redmond, WA 98052

TITLE:
I/Q MODULATOR PACKAGE

SIZE	DWG. NO.	REV
A	C2454D6.1.05	A

SCALE: 1:1	20130402	SHEET 1 OF 1
------------	----------	--------------