

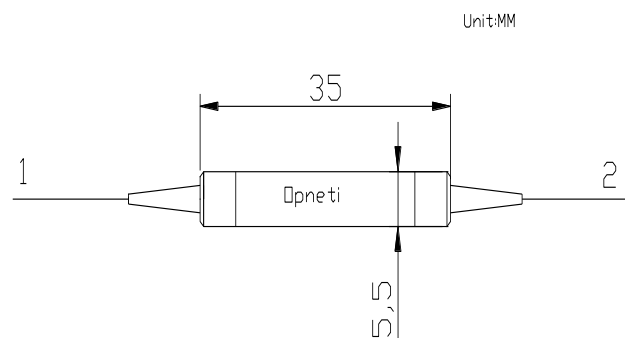
In Line Polarizer

Features	
Low Insertion Loss High Extinction Ratio & High Isolation High stability and reliability	
Application	
Fiber Optical Instrument Fiber Sensor	

Specifications

Parameter \ Type	Value			
Center wavelength (nm)	1310, 1550	1064	980	850
Bandwidth (nm)	±50	±30	±10	±10
Typ. Insertion Loss at 23°C (dB)	0.30	0.40	0.7	0.8
Insertion Loss at 23°C (dB)	≤0.50	≤0.60	≤0.9	≤1.0
Typ. Extinction Ratio 23°C (dB)	30	30	28	28
Extinction Ratio 23°C (dB)	≥28	≥28	≥25	≥25
Fiber Type	PM1310,PM1550 SMF-28e	PM980 HI1060	PM980 HI1060	PM850 SM800
Return loss (dB)	≥50			
Power handling (mW)	≤300			
Fiber Length (m)	0.80			
Operating temperature (°C)	-5~+70			
Storage temperature (°C)	-40 ~ +80			
Dimensions (mm)	φ5.5×L35			

For device with connector, IL is 0.3dB higher, RL is 5dB lower, ER is 2dB lower. The default connector key is aligned to slow axis.

Package Dimensions

Ordering Information

ILP	Wavelength	Pigtail Type	Fiber Type	Length	Connector
	850 980 1064 1310 1550	250=250um bare fiber 900=900um loose tube	1=PM Fiber-PM fiber 2=single mode fiber – PM fiber 3=Single mode fiber –Single mode fiber	0.8= 0.8m	NE=None FA=FC/APC FC=FC/UPC SA=SC/APC SC=SC/UPC XX=Other