

# Patchcord and Pigtail



## Features

- Low Insertion Loss
- Comply with RoHS
- Comply with Telcordia GR-326-CORE
- Comply with JIS C5970/C5973

## Applications

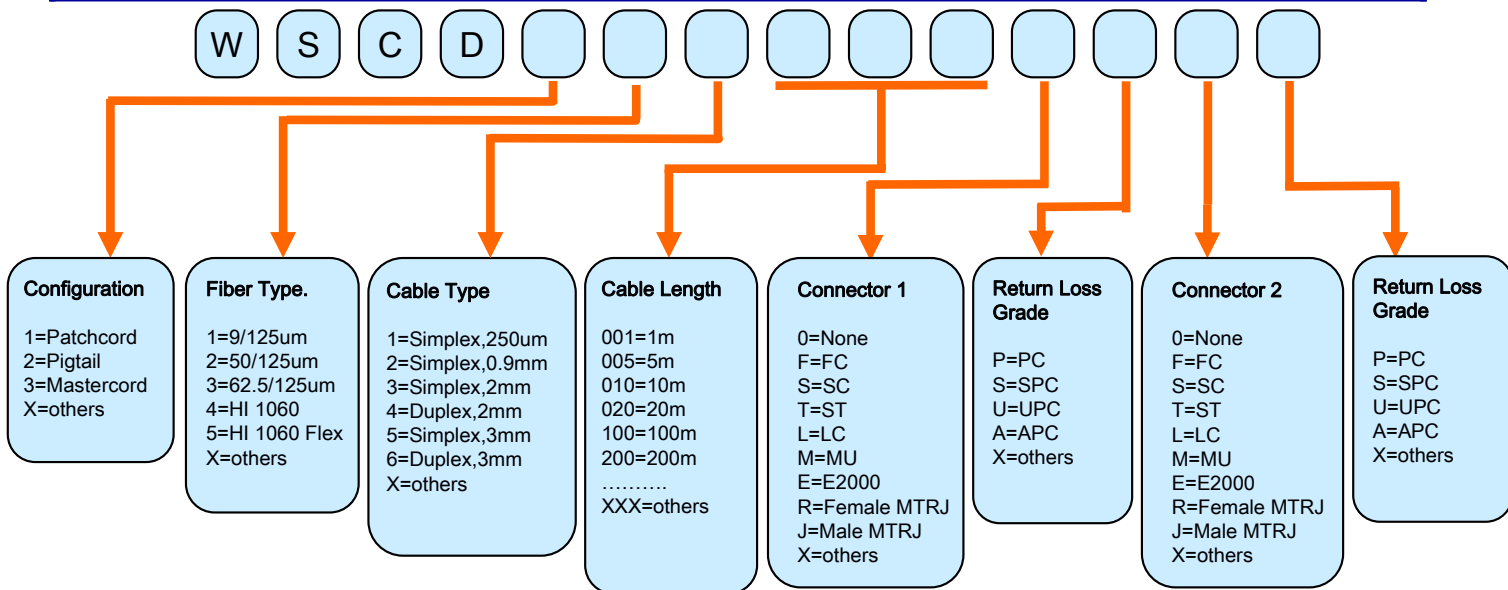
- Telecommunications
- FTTH, CATV, LAN

\*Ruggedized Cable available



## Patchcord/Pigtail SPECIFICATIONS

Fiber Type	Single Mode 9/125um	Multimode 50/125 or 62.5/125
Connector Type	FC, SC, ST, LC, MU, E2000, MTRJ, DIN	FC, SC, ST, LC, MU, E2000, MTRJ, DIN, SMA 906
Insertion Loss ( Typical )	≤0.2dB	≤0.2dB
Insertion Loss ( Max. )	≤0.3dB	≤0.3dB
Return Loss	PC	≥45dB
	SPC	≥50dB
	UPC	≥55dB
	APC	≥65dB
Mating Durability (500 cycles )	≤0.2dB	
Operating Temperature	-40~80°C	



WANSHING OPTICAL CO., LTD

3F No.53, Sec 2, Jhonghua Rd., Sinjhuang City,  
Taipei County 24246, TAIWAN, R.O.C.

HOME PAGE: <http://www.wanshing.com.tw> e-mail: info@wanshing.com.tw