

# Polarization Maintaining In-Line Polarization Insensitive Isolator



## Features

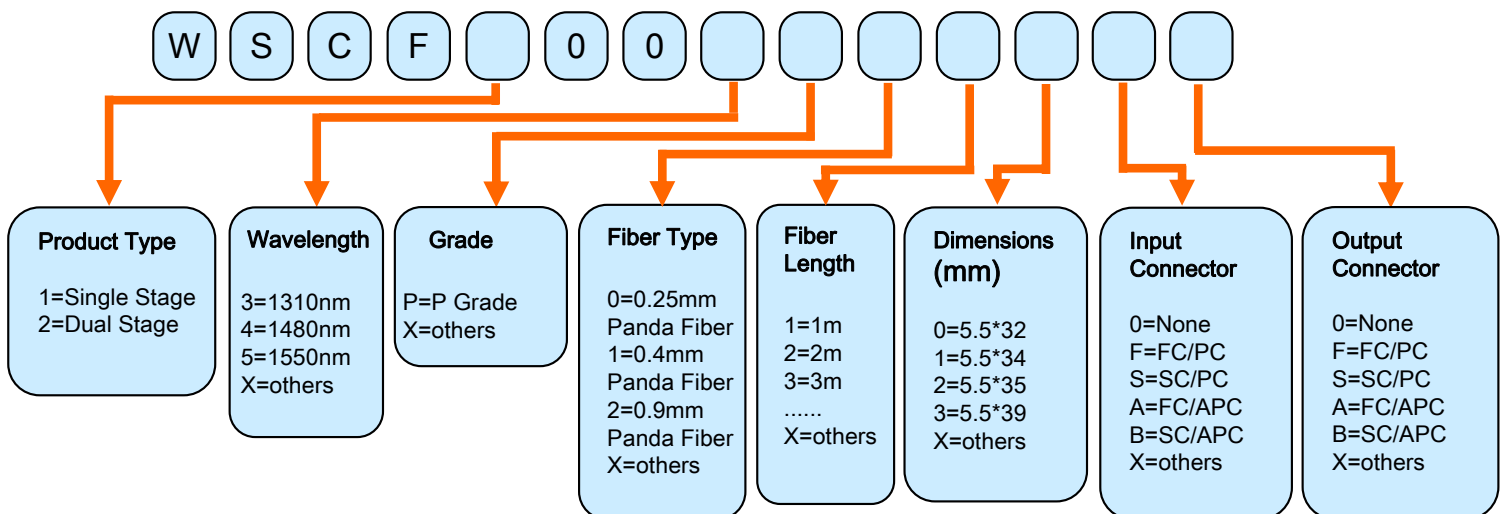
- Low Insertion
- High Isolation
- Comply with RoHS

## Applications

- Telecommunications
- FTTH, CATV, LAN

## PM Single Stage Isolator SPECIFICATIONS

PARAMETERS	Single Stage P Grade	Dual Stage P Grade
Operating Wavelength	1310nm, 1480nm or 1550nm	
Bandwidth	±15nm	
Min. Isolation (Peak)	≥32dB(42dB)	≥46dB(58dB)
Min. Extinction Ratio	≥20dB	≥20dB
Insertion Loss (Typical)	≤0.55dB(0.4)	≤0.65dB(0.5)
Return Loss (In/Out)	≥55/50dB	≥55/50dB
Operating Temperature	-5~70°C	
Storage Temperature	-40~85°C	
Max. Power	300mW (high power handling available)	
Dimensions	5.5mm*35mm	



WANSHING OPTICAL CO., LTD

3F No.53, Sec 2, Jhonghua Rd., Sinhuang City,  
 Taipei County 24246, TAIWAN, R.O.C.

HOME PAGE: <http://www.wanshing.com.tw> e-mail: [info@wanshing.com.tw](mailto:info@wanshing.com.tw)