

Polarization Maintaining Patchcord and Pigtail



Features

- Low Insertion Loss
- High Return Loss
- Comply with RoHS
- Comply with Telcordia

GR-326-CORE

- Comply with JIS

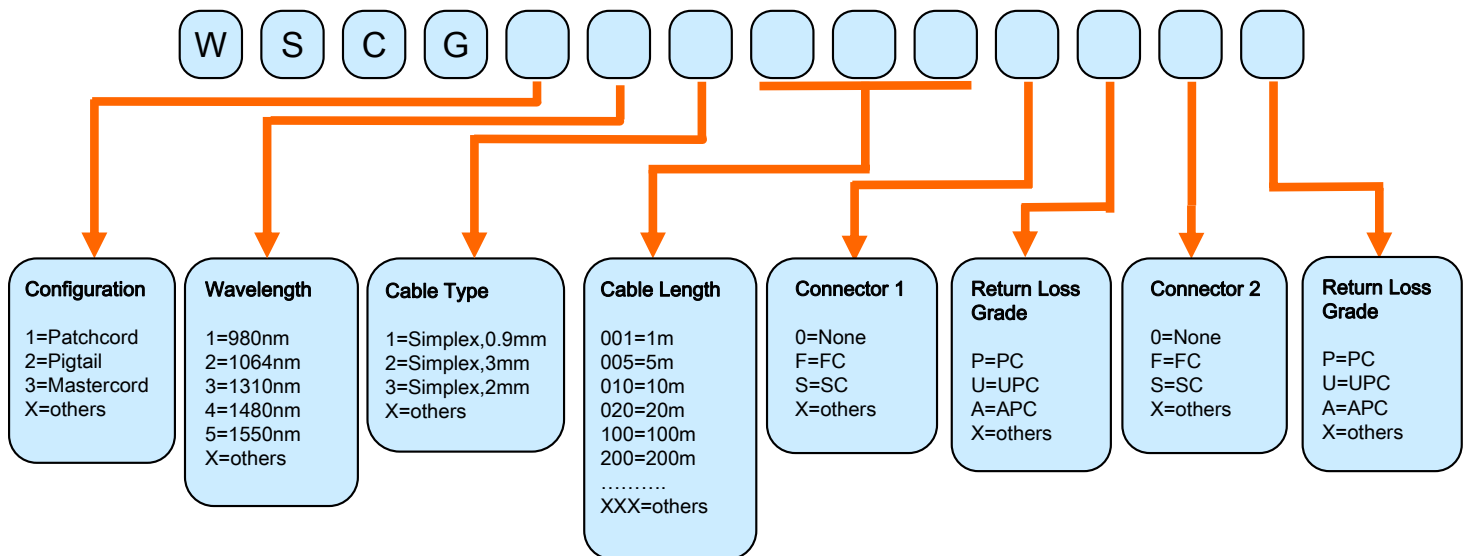
C5970/C5973

Applications

- Telecommunications
- FTTH, CATV, LAN

PM Patchcord/Pigtail SPECIFICATIONS

Connector Type	FC/UPC, SC/UPC	FC/APC, SC/APC
Key Orientation	Slow Axis	
Axis Alignment	±3°	
Insertion Loss (Typical)	≤0.3dB (<0.2dB)	≤0.4dB(<0.25dB)
Insertion Loss (Max.)	≤0.4dB	≤0.5dB
Min. Return Loss	≥50dB	≥60dB
Min. Extinction Ratio (Typical)	≥20dB (>23dB)	
Mating Durability (500 cycles)	≤0.2dB	
Operating Temperature	-40~80°C	



WANSHING OPTICAL CO., LTD

3F No.53, Sec 2, Jhonghua Rd., Sinjhuang City,
Taipei County 24246, TAIWAN, R.O.C.

HOME PAGE: <http://www.wanshing.com.tw> e-mail: info@wanshing.com.tw