

980nm Polarization Maintaining Filter Coupler



Features

- High Extinction Ratio
- Low Insertion
- Comply with RoHS

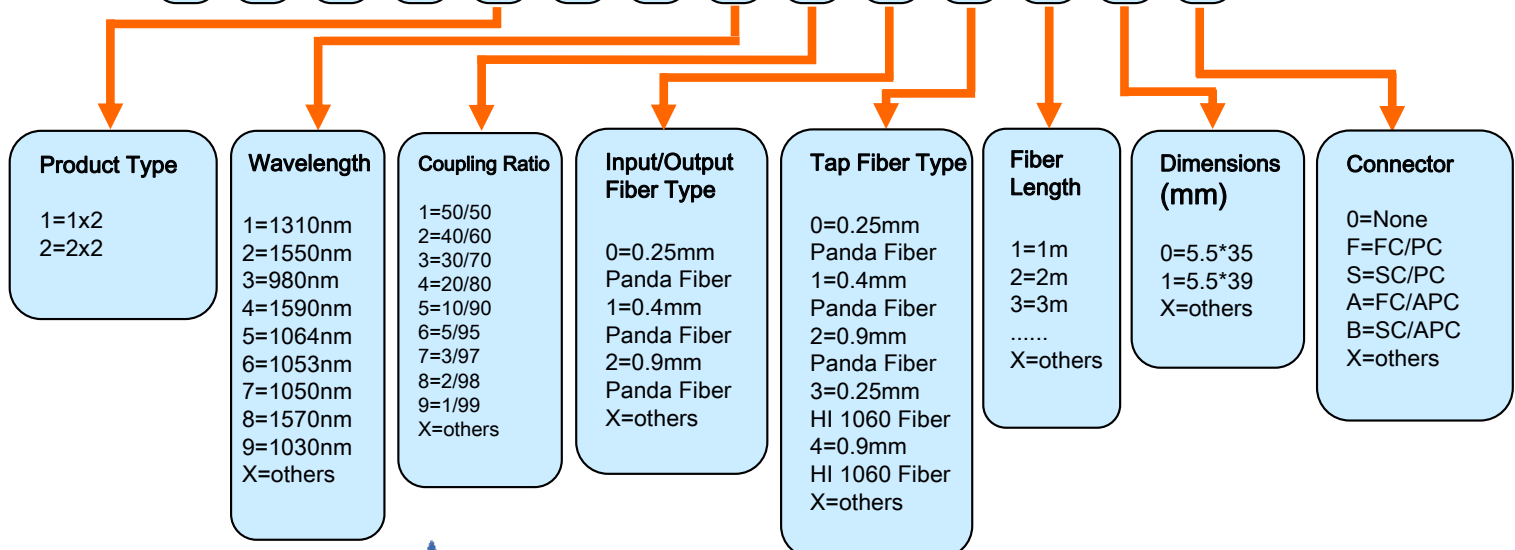
Applications

- Telecommunications
- FTTH, CATV, LAN

980nm PM Coupler SPECIFICATIONS

PARAMETERS	P Grade	
Type	1x2	2x2
Operating Wavelength	980nm	
Bandwidth	±10nm	
Max. Excess Loss (Typical)	≤1.2dB(1.0)	≤1.7dB(1.5)
Min. Extinction Ratio	≥20dB	≥18dB
Max. Uniformity	≤0.8dB	≤1.0dB
Return Loss (In/Out)	≥50dB	
Operating Temperature	-5~70°C	
Storage Temperature	-40~85°C	
Max. Power	300mW	
Dimensions	5.5mm*35mm	

W S C J 0 0 3



WANSHING OPTICAL CO., LTD

3F No.53, Sec 2, Jhonghua Rd., Sinjhuang City,
Taipei County 24246, TAIWAN, R.O.C.

Homepage: <http://www.wanshing.com.tw> e-mail: info@wanshing.com.tw