

Wideband Polarization Maintaining Filter Coupler



Features

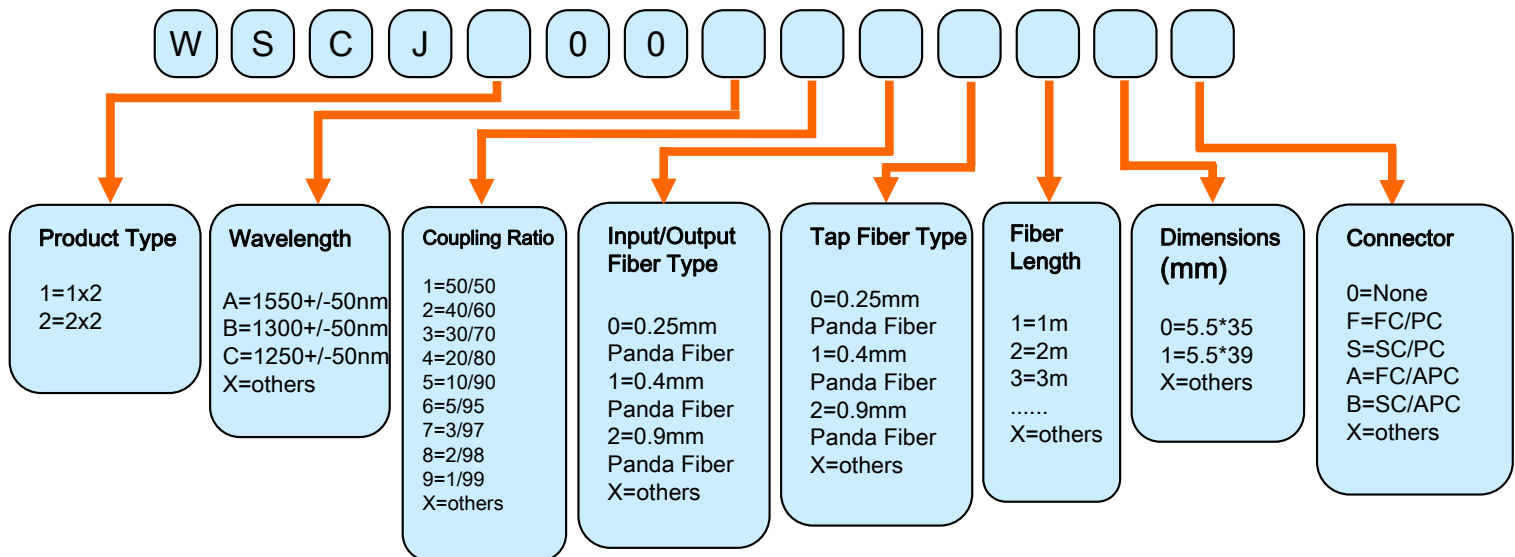
- High Extinction Ratio
- Low Insertion
- Comply with RoHS

Applications

- Telecommunications
- FTTH, CATV, LAN

Wideband PM Coupler SPECIFICATIONS

PARAMETERS	P Grade	
Type	1x2	2x2
Operating Wavelength	1200~1300, 1250~1350, 1500~1600nm	
Max. Excess Loss (Typical)	≤0.8dB(0.6)	≤1.0dB(0.8)
Min. Extinction Ratio (Typical)	≥20dB(25)	≥18dB(22)
Max. WDL (Typical)	≤0.3dB (0.15)	≤0.3dB (0.15)
Max. Uniformity	≤0.6dB	≤0.8dB
Return Loss (In/Out)	≥50dB	
Operating Temperature	-5~70°C	
Storage Temperature	-40~85°C	
Max. Power	300mW	
Dimensions	5.5mm*35mm	



WANSHING OPTICAL CO., LTD

3F No.53, Sec 2, Jhonghua Rd., Sinjhuang City,
Taipei County 24246, TAIWAN, R.O.C.

Homepage: <http://www.wanshing.com.tw> e-mail: info@wanshing.com.tw