

Polarization Maintaining Two Wavelengths TFF WDM

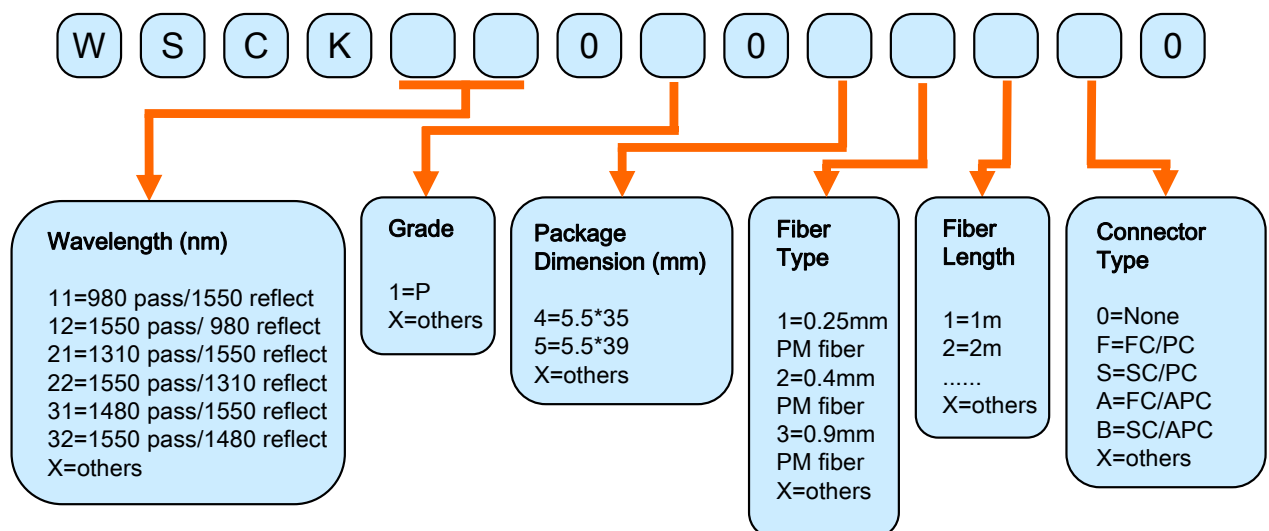


Features

- High Isolation
- Low Insertion Loss
- Comply with RoHS
- Applications
- Local Area Networks
- FTTH Networks
- CATV

PM TWO WAVELENGTH TFF WDM SPECIFICATIONS

PARAMETERS		980/1550nm	1310/1550nm	1480/1550nm
Grade		P	P	P
Pass Port λ_1 (nm)		1530~1580	1530~1600	1530~1600
Reflect Port λ_2 (nm)		960~1000	1270~1350	1450~1490
Pass Port	Insertion Loss	≤ 0.8 dB (Typical 0.6)	≤ 0.6 dB (Typical 0.4)	≤ 0.6 dB (Typical 0.4)
	Isolation	≥ 25 dB (Typical 30)	≥ 25 dB (Typical 30)	≥ 25 dB (Typical 30)
	Ripple	≤ 0.3 dB	≤ 0.3 dB	≤ 0.3 dB
Reflect Port	Insertion Loss	≤ 0.6 dB (Typical 0.4)	≤ 0.5 dB (Typical 0.3)	≤ 0.5 dB (Typical 0.3)
	Isolation	≥ 12 dB (Typical 15)	≥ 12 dB (Typical 15)	≥ 12 dB (Typical 15)
Return Loss/Directivity		$\geq 45/50$ dB		
Min. Extinction Ratio		≥ 20 dB		
Operating Temperature		$-0 \sim 70^\circ\text{C}$		



WANSHING OPTICAL CO., LTD
 3F No.53, Sec 2, Jhonghua Rd., Sinjhuang City,
 Taipei County 24246, TAIWAN, R.O.C.
 HOMEPAGE: <http://www.wanshing.com.tw> e-mail: info@wanshing.com.tw