

980nm Polarization Maintaining Beam Combiner/Splitter

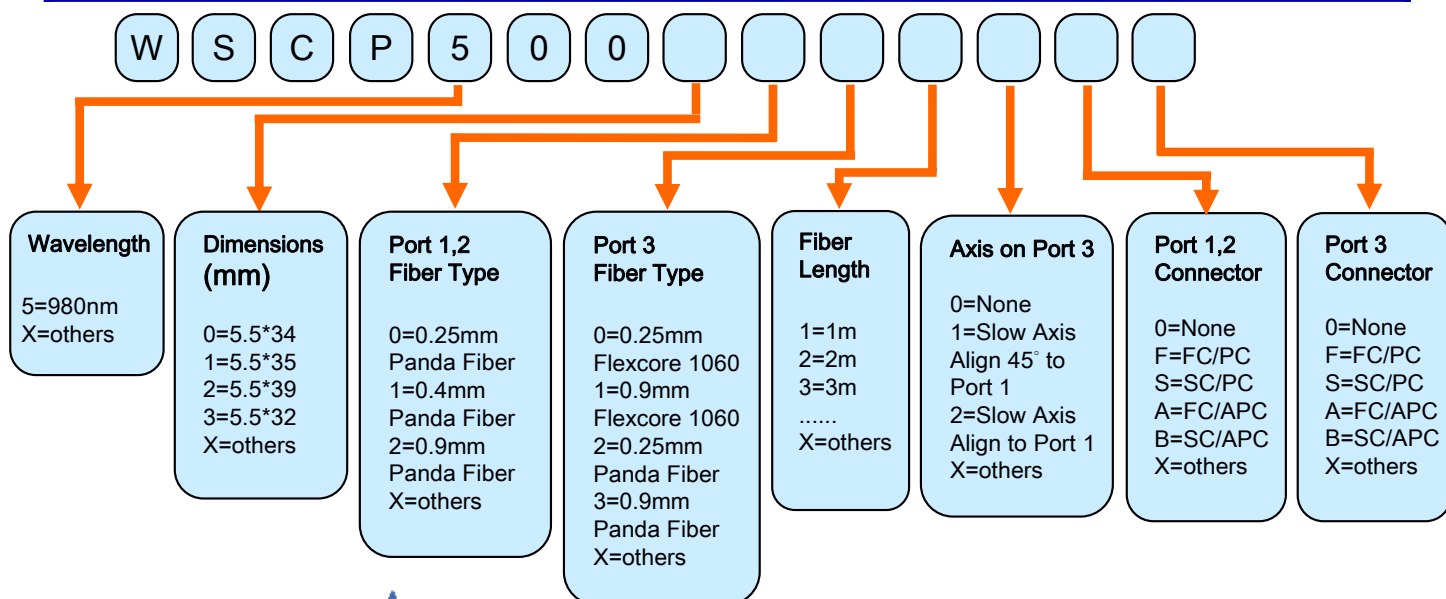


Features

- High Extinction
- Low Insertion Loss
- Comply with RoHS
- Applications
 - EDFA
 - Raman Amplifier

980nm PM Beam Splitter SPECIFICATIONS

PARAMETERS	P Grade
Type	1x2
Operating Wavelength	980nm
Bandwidth	±10nm
Max. Insertion Loss (Typical)	≤1.1dB(0.7)
Direction of Incident Polarization	Slow Axis
Min. Extinction Ratio	≥20dB
Return Loss (In/Out)	≥50dB
Operating Temperature	-5~70°C
Storage Temperature	-40~85°C
Max. Power	500mW
Dimensions	5.5mm*35mm



WANSHING OPTICAL CO., LTD

3F No.53, Sec 2, Jhonghua Rd., Sinjhuang City,
Taipei County 24246, TAIWAN, R.O.C.

HOME PAGE: <http://www.wanshing.com.tw> e-mail: info@wanshing.com.tw