

1W Power handling 1425nm Series Polarization Maintaining Beam Combiner/Splitter

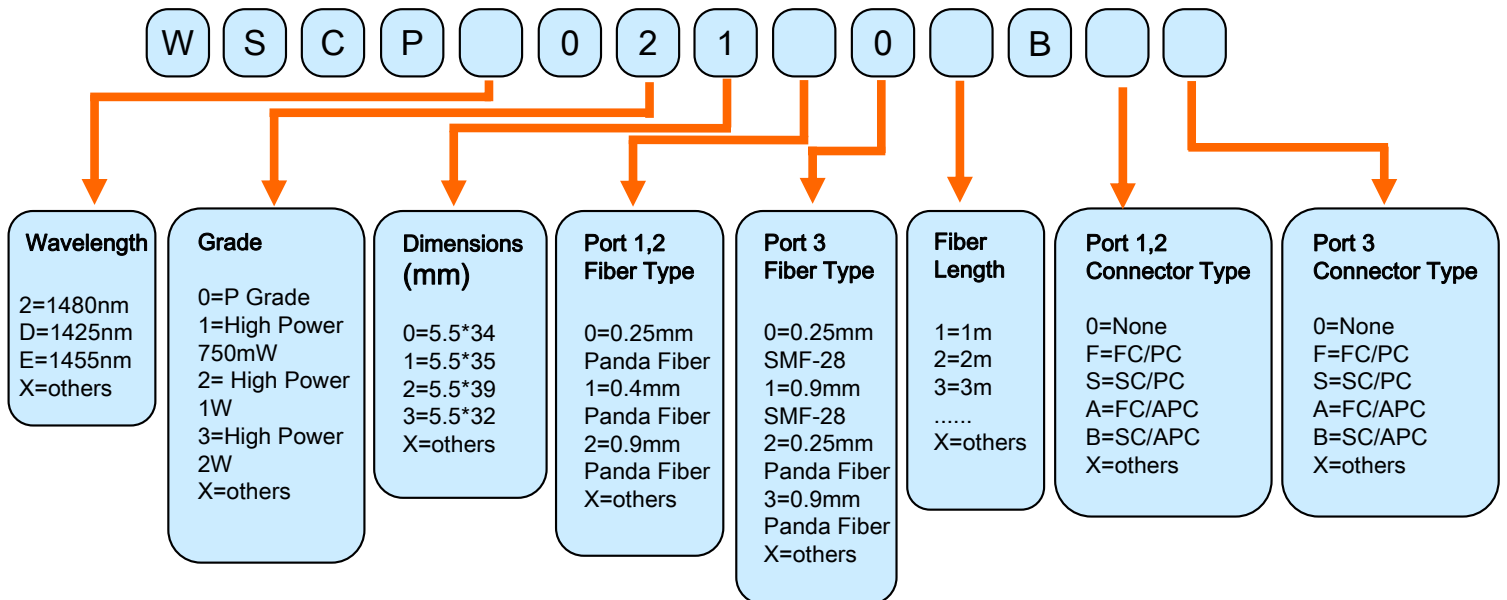


Features

- High Extinction
- Low Insertion Loss
- Comply with RoHS
- Applications
 - EDFA
 - Raman Amplifier

1425nm Series PM Beam Splitter SPECIFICATIONS

PARAMETERS	P Grade
Type	1x2
Operating Wavelength	1425, 1455, 1480nm
Bandwidth	±30nm
Max. Excess Loss (Typical)	≤0.6dB
Direction of Incident Polarization	Slow Axis
Min. Extinction Ratio	≥20dB
Max. WDL	≤0.2dB
Max. PMD	≤0.1ps
Max. Flatness@port1-2	≤0.5dB
Min. Return Loss (In/Out)	≥50dB
Min. Crosstalk (Directivity)	≥50dB
Operating Temperature	-5~70°C
Storage Temperature	-40~85°C
Max. Power	1000mW
Dimensions	5.5mm*35mm



WANSHING OPTICAL CO., LTD
 3F No.53, Sec 2, Jhonghua Rd., Sinjhuang City,
 Taipei County 24246, TAIWAN, R.O.C.
 HOMEPAGE: <http://www.wanshing.com.tw> e-mail: info@wanshing.com.tw