

Polarization Maintaining Beam Combiner/Splitter

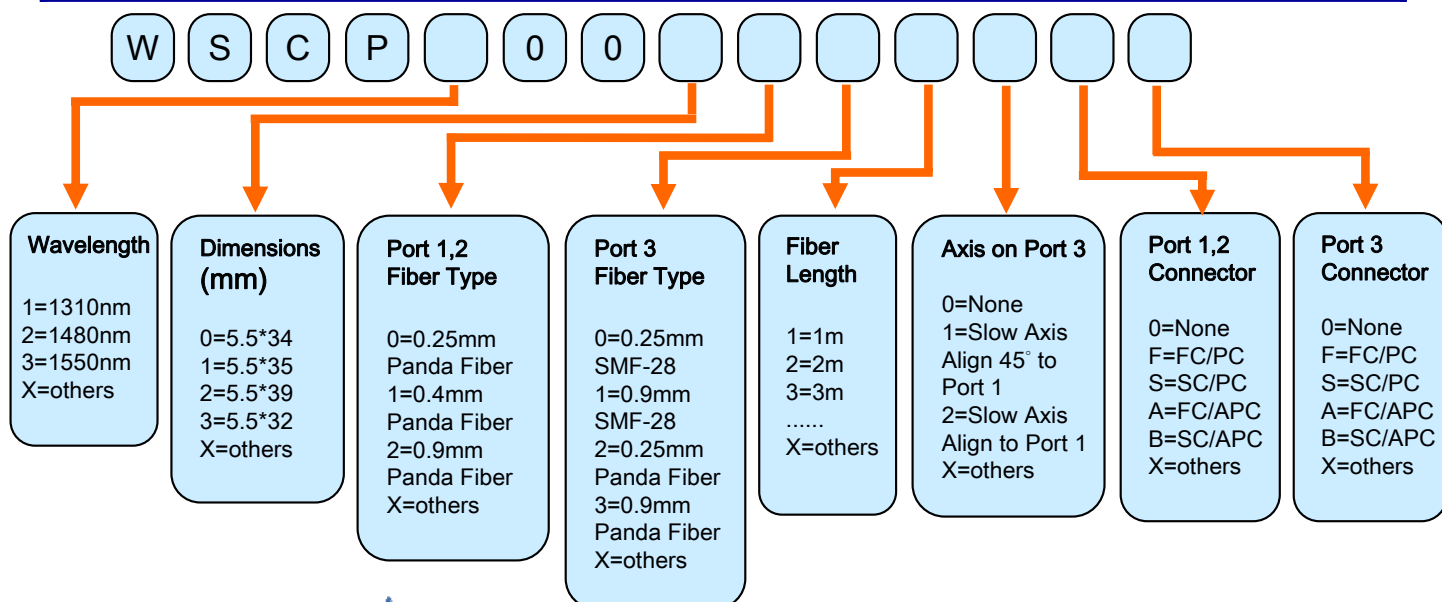


Features

- High Extinction
- Low Insertion Loss
- Comply with RoHS
- Applications
 - EDFA
 - Raman Amplifier

PM Beam Combiner/Splitter SPECIFICATIONS

PARAMETERS	P Grade
Type	1x2
Operating Wavelength	1310nm or 1480 or 1550nm
Bandwidth	±40nm
Max. Excess Loss (Typical)	≤0.6dB(0.4)
Direction of Incident Polarization	Slow Axis
Min. Extinction Ratio	≥22dB
Return Loss (In/Out)	≥50dB
Operating Temperature	-5~70°C
Storage Temperature	-40~85°C
Max. Power	500mW
Dimensions	5.5mm*35mm



WANSHING OPTICAL CO., LTD

3F No.53, Sec 2, Jhonghua Rd., Sinhuang City,
Taipei County 24246, TAIWAN, R.O.C.

Homepage: <http://www.wanshing.com.tw> e-mail: info@wanshing.com.tw