

Polarization Maintaining Isolator/WDM Hybrid Device



Features

- Low Insertion
- High Isolation
- Comply with RoHS

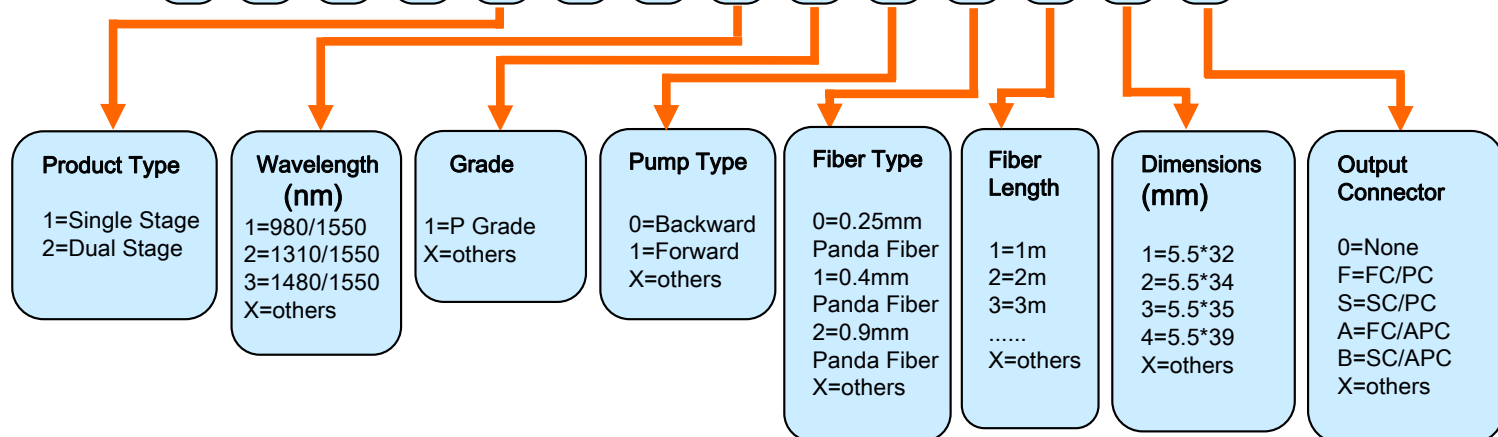
Applications

- Telecommunications
- FTTH, CATV, LAN

PM Hybrid IWDM Dual Stage SPECIFICATIONS

PARAMETERS		980/1550nm	1310/1550nm	1480/1550nm
Pump Port λ_1 (nm)		960~1000	1270~1350	1450~1490
Pass Port λ_2 (nm)		1530~1570	1530~1570	1530~1570
Pass Port	Insertion Loss	≤ 1.0 dB (Typical 0.8)	≤ 1.0 dB (Typical 0.8)	≤ 1.0 dB (Typical 0.8)
	Isolation	≥ 45 dB (Typical 50)	≥ 45 dB (Typical 50)	≥ 45 dB (Typical 50)
Reflect Port	Insertion Loss	≤ 0.6 dB (Typical 0.4)	≤ 0.6 dB (Typical 0.4)	≤ 0.6 dB (Typical 0.4)
	Isolation	≥ 12 dB (Typical 15)	≥ 12 dB (Typical 15)	≥ 12 dB (Typical 15)
Min. Extinction Ratio		≥ 22 dB	≥ 22 dB	≥ 22 dB
Max. Power		500mW	300mW	300mW
Return Loss		≥ 50 dB		
Operating Temperature		$-5 \sim 70^\circ\text{C}$		
Storage Temperature		$-40 \sim 85^\circ\text{C}$		

W S C U 2 0 0



WANSHING OPTICAL CO., LTD

3F No.53, Sec 2, Jhonghua Rd., Sinjhuang City,
Taipei County 24246, TAIWAN, R.O.C.

HOME PAGE: <http://www.wanshing.com.tw> e-mail: info@wanshing.com.tw