

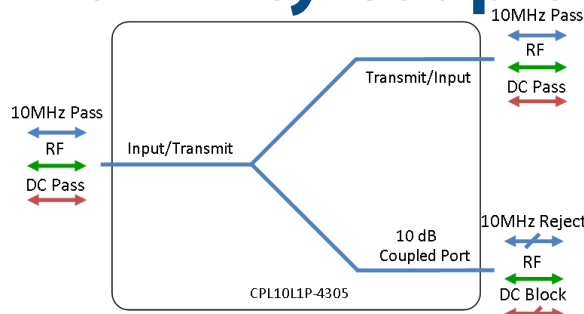


Model Number:
CPL10L1P-4305

RF Components

10dB L-band Proximity Coupler

850 MHz to 2150 MHz



- DC and 10MHz pass between input and transmit ports.
- Coupled port DC blocked.

Available with RF connector options:

- 50 Ω SMA
- 50 Ω N-type
- 50 Ω BNC
- 75 Ω BNC
- 75 Ω F-type.



850-2150 MHz
Operating frequency range. L-Band ready



Compact
Housed in rugged compact enclosure



Flexible Mounting
Tapped screw & through hole mounting options

RF Parameters						
CPL10L1P-4305-XXXXXX	S5S5S5	N5N5N5	B5B5B5	B7B7B7	F7F7F7	
Frequency Range	850 - 2150 MHz					
RF Connectors	50Ω SMA	50Ω N-Type	50Ω BNC	75Ω BNC	75Ω F-Type	
Through Path :						
Mean Insertion Loss (dB)	1.8 ± 0.2	1.8 ± 0.2	1.8 ± 0.3	1.9 ± 0.4	1.9 ± 0.4	
Flatness (dB)	± 0.2	± 0.2	± 0.3	± 0.4	± 0.4	
Input Return Loss (dB)	Typ	15	15	15	14	14
	Min	13	13	13	12	12
Output Return Loss (dB)	Typ	14	14	14	14	14
	Min	11	11	11	11	11
Coupled Port :						
Coupling Factor	Typ	10 ± 0.5	10 ± 0.5	10 ± 0.5	10 ± 1.0	10 ± 1.0
Flatness (dB)	Typ	± 0.2	± 0.2	± 0.3	± 0.4	± 0.4
Return Loss (dB)	Typ	14	14	14	14	14
	Min	11	11	11	11	11
10MHz Insertion Loss is up to 3dB above the theoretical loss* 10MHz Rejection is 20dB* *To ports which are applicable						

Broadcast



Marine Oil & Gas



SNG & VSAT



Satellite Teleport





RF Components

Model Number:
CPL10L1P-4305
 10dB L-band Proximity Coupler

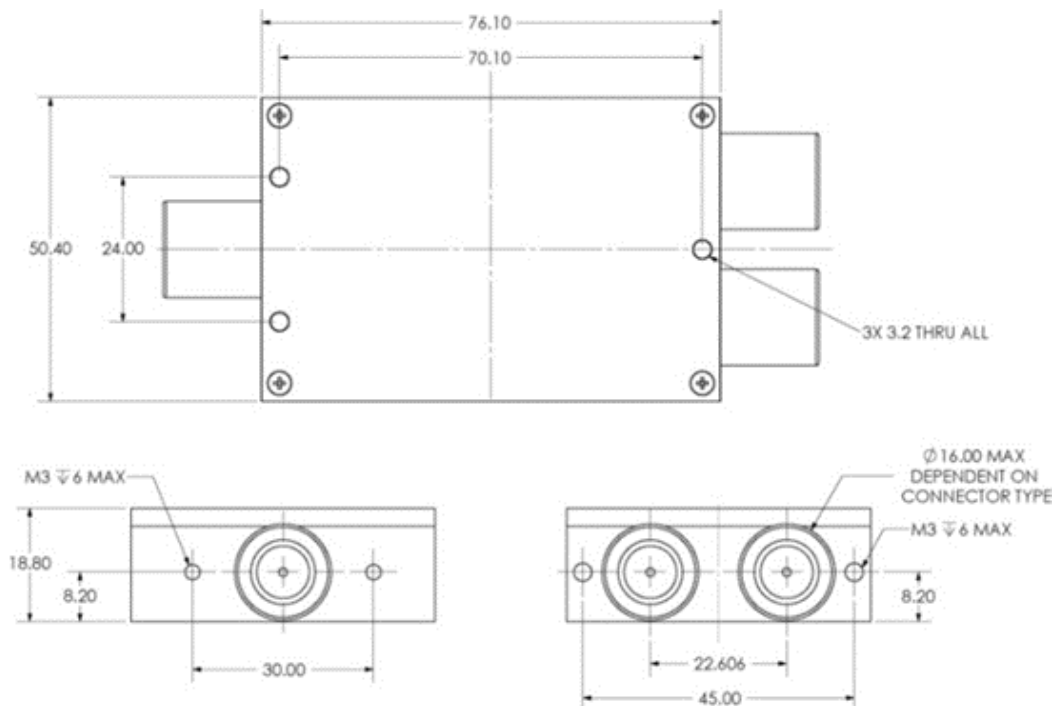
Technical specifications and operating parameters

Environmental		
Operating Temperature		0°C to +45°C
Storage Temperature		-20°C to +75°C
Location		Indoor use Only
Humidity	Max	85% non-condensing
Altitude	Max	10,000 feet

Max Operating Parameters	
Input RF Power	+37 dBm (5W)
DC Voltage	50V

! Operation beyond these limits may cause instantaneous and permanent damage.

Physical Dimensions (mm)



Note: The specification is subject to regular reviews and will be updated from time to time as part of our continuing product development and improved specification accuracy.

ETL SYSTEMS LIMITED
 Coldwell Radio Station
 Madley
 Hereford
 England HR2 9NE

TELEPHONE
 +44 (0)1981 259020
 EMAIL
 info@etlsystems.com

FACSIMILE
 +44 (0)1981 259021
 WEB
 www.etlsystems.com

