

AO-V-473 /1~50μJ/1~500mW



**LD PUMPED ALL-SOLID-STATE  
AOM Q-SWITCHED LASER**

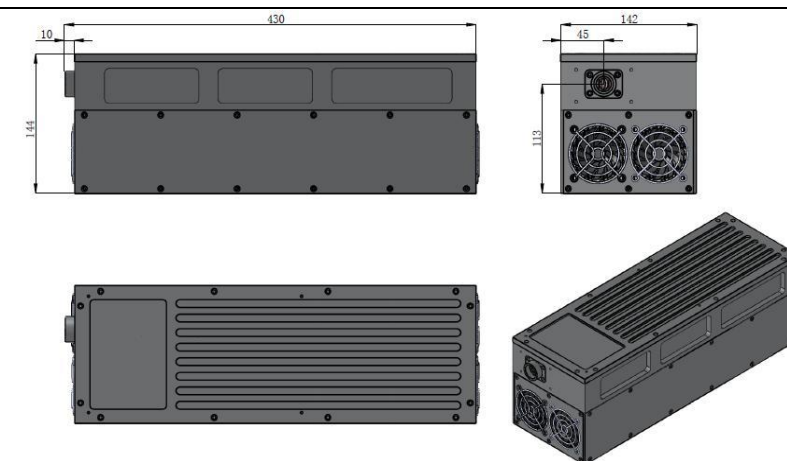
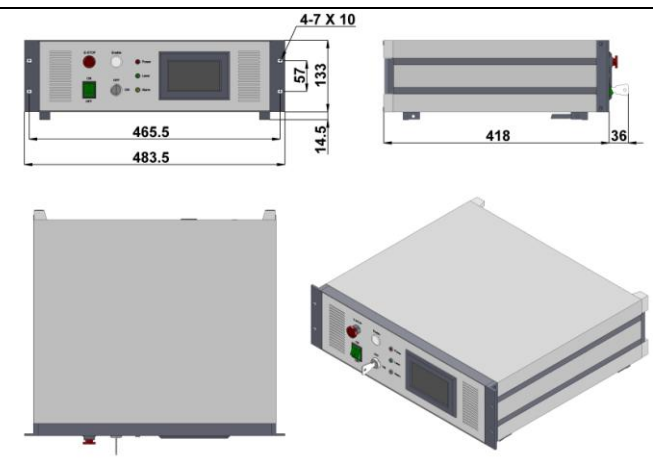
All solid state AOM Q-switched laser at 473 nm has the features of high peak power, high repetition rate, and short pulse duration, which is widely used in marking, carving, measure, research and so on.



SPECIFICATIONS

Wavelength (nm)	473±1
Operating mode	Acousto-Optics Q-switched
Average power (mW)	1~500mW
Single pulse energy (μJ)	Average power (W) = Single pulse energy (mJ) * Rep. rate (kHz)
Rep. rate (kHz)	1~50 (50μJ @ 1kHz; 50μJ @ 10kHz; 16μJ @ 20kHz)
Pulse duration (ns)	1~200
Peak power (kW)	Typically ~200 @10kHz, varies from power and repetition.
Ave power stability (over 4 hours)	0.01~0.25 (0.25kW@10kHz)
Warm-up time (minutes)	<5%, <10%
Beam divergence, full angle (mrad)	<10
Beam diameter at the aperture (1/e <sup>2</sup> ,mm)	<2.5
Beam height from base plate (mm)	~1.0
Cooled method	113
Operating temperature (°C)	Air cooled
Power supply (220/110VAC)	10~35
Expected lifetime (hours)	PSU-AOM(3U)
Warranty period	10000
	1 year



AO-V-473	PSU-AOM(3U)
 <p>430 (L) ×142 (W) ×144 (H) mm<sup>3</sup>, 9.5 kg</p>	 <p>483.5 (L) ×454 (W) ×147.5 (H) mm<sup>3</sup>, 8.3 kg</p>