

AO-W-1319 /1~800μJ/1~2W



**LD PUMPED ALL-SOLID-STATE
AOM Q-SWITCHED LASER**

All solid state AOM Q-switched laser AO-W-1319 has the features of high peak power, high repetition rate, and short pulse duration, which is widely used in marking on harder metals such as Titanium, Inconel, or Tool Steel.

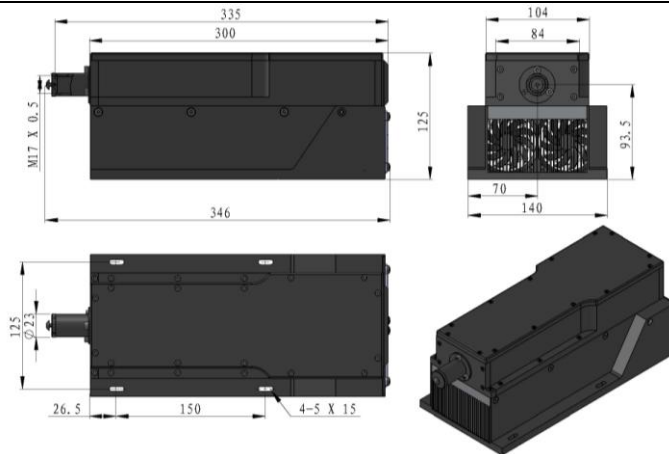


SPECIFICATIONS

Wavelength (nm)	1319±1
Operating mode	Acousto-Optics Q-switched
Average power (W)	1~2W (2W @10kHz) Average power (W) = Single pulse energy (mJ) * Rep. rate (kHz)
Single pulse energy (μJ)	1~800 (800μJ @1kHz; 250μJ @10kHz; 40μJ @70kHz)
Rep. rate (kHz)	1~70
Pulse duration (ns)	Typically ~80 @10kHz, varies from power and repetition.
Peak power (kW)	1~30 (30kW @1kHz; 3kW @10kHz)
Ave power stability (over 4 hours)	<1%, <3%, <5%
Warm-up time (minutes)	<10
Beam divergence, full angle (mrad)	<2.0
Beam diameter at the aperture (1/e ² ,mm)	~2.0
Beam height from base plate (mm)	93.5
Polarization ratio	>100:1
Cooled method	Air cooled
Operating temperature (°C)	10~35
Power supply (220/110VAC)	PSU-AOM
Expected lifetime (hours)	10000
Warranty period	1 year

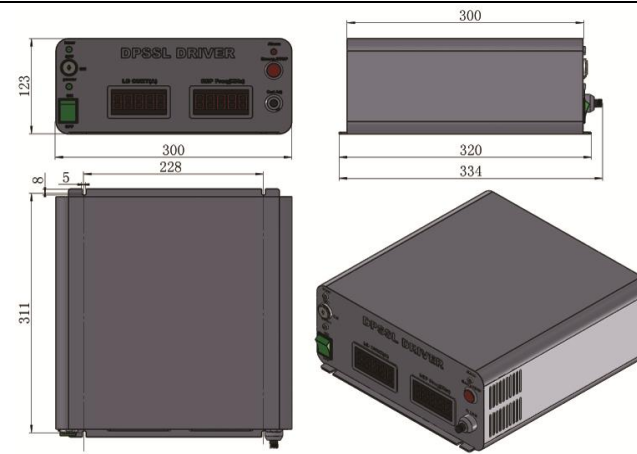


AO-W-1319



346(L)×140(W)×125(H) mm³, 6.0 kg

PSU-AOM



334(L)×300(W)×123(H) mm³, 6.8 kg