

FS-Y-515/1~20W

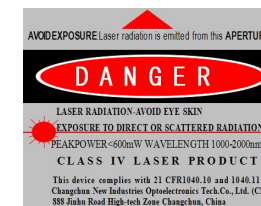
**FEMTOSECOND PULSED
LASER AT 515nm**

Femtosecond pulsed laser at 515nm is made features of short pulse duration, high repetition rate, high average power and good beam quality, which is used in sapphire marking, ceramic cutting, semiconductor cutting, film scribing, physics experiment, etc.

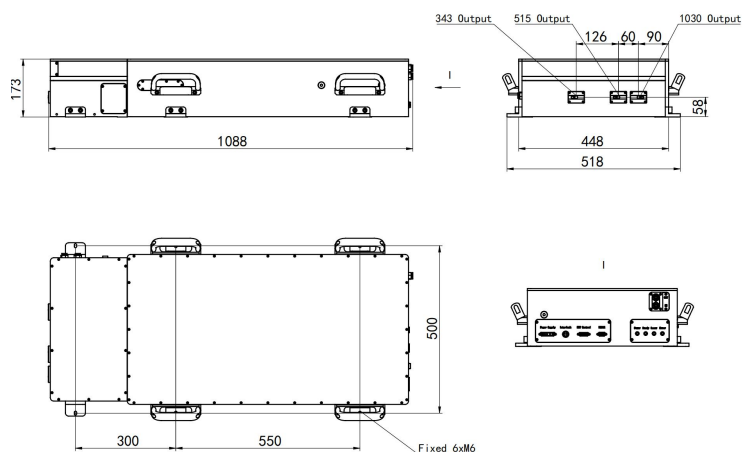


SPECIFICATIONS

Wavelength (nm)	515±5
Average power (W)	1~20W (20W@1MHz)
Single pulse energy (μ J)	20(20 μ J @1MHz)
Rep. rate (MHz)	500kHz~2MHz
Pulse duration (fs)	<300fs @1MHz,20W.
Peak power (MW)	67 @1MHz
Ave power stability (over 4 hours)	<3%
Warm-up time (minutes)	<10
Transverse mode	TEM ₀₀
Beam quality(M ²)	<1.3
Beam divergence, full angle (mrad)	<3
Beam diameter at the aperture (1/e ² ,mm)	~1
Polarization ratio	>100:1
Beam height from base plate (mm)	On request
Cooled method	Water cooled
Operating temperature (°C)	15~35
Power supply (220/110VAC)	On request
Expected lifetime (hours)	10000
Warranty period	1 year

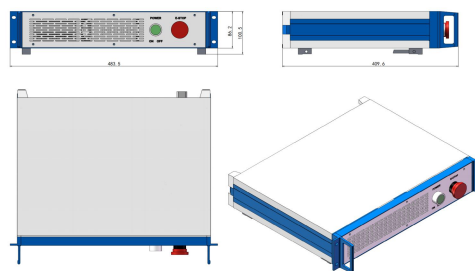


FS-Y-515



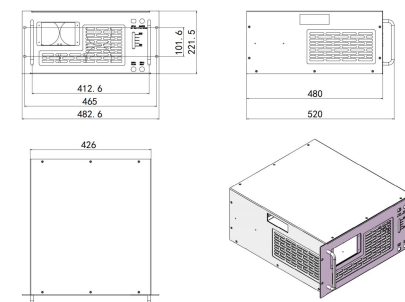
1088(L) × 448(W) × 173(H) mm³, 100 kg

Power supply



483.5 (L) × 409.6(W) × 100.5(H) mm³, 4.5 kg

Water Chiller



520(L) × 482.6(W) × 221.5(H) mm³, 22 kg