

FS-H-515-100mW(1-100mW)

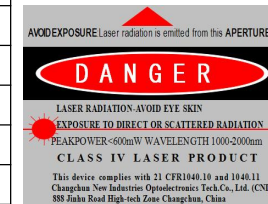
**FEMTOSECOND PULSED  
LASER AT 515nm**

All Fiber Femtosecond pulsed laser at 515nm is made features of short pulse duration, high repetition rate, high stability and good beam quality, which is used in optical microscope, photon imaging, physics experiment, etc.

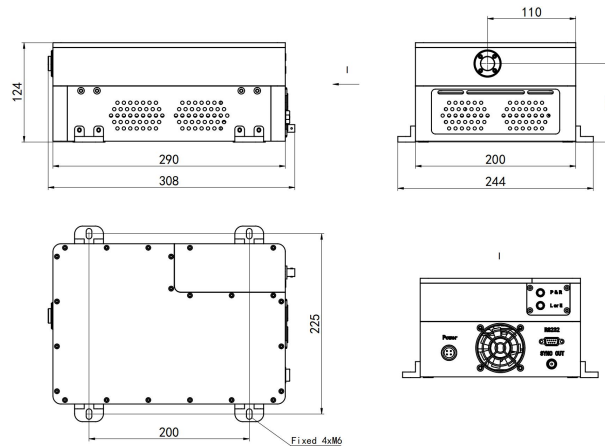


SPECIFICATIONS

Wavelength (nm)	515±5
Average power (mW)	100mW (100mW@80MHz)
Single pulse energy (nJ)	1.25(1.25nJ @80MHz)
Rep. rate (MHz)	80±1MHz
Pulse duration (fs)	<150fs @80MHz,100mW.
Peak power (kW)	7.5kW @80MHz
Ave power stability (over 4 hours)	<1%
Warm-up time (minutes)	<10
Transverse mode	TEM <sub>00</sub>
Beam quality(M <sup>2</sup> )	<1.2
Beam divergence, full angle (mrad)	<1.0
Beam diameter at the aperture (1/e <sup>2</sup> ,mm)	~1
Polarization ratio	>100:1
Beam height from base plate (mm)	98
Cooled method	Air cooled



FS-H-1030-400mW



290(L) × 200(W) × 124(H) mm<sup>3</sup>, 10 kg

FS-H-515-1W (100mW-1W)

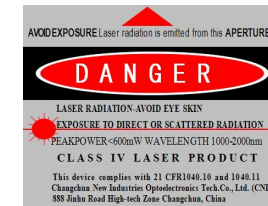
**FEMTOSECOND PULSED  
LASER AT 515nm**

All Fiber Femtosecond pulsed laser at 515nm is made features of short pulse duration, high repetition rate, high stability and good beam quality, which is used in optical microscope, photon imaging, physics experiment, etc.

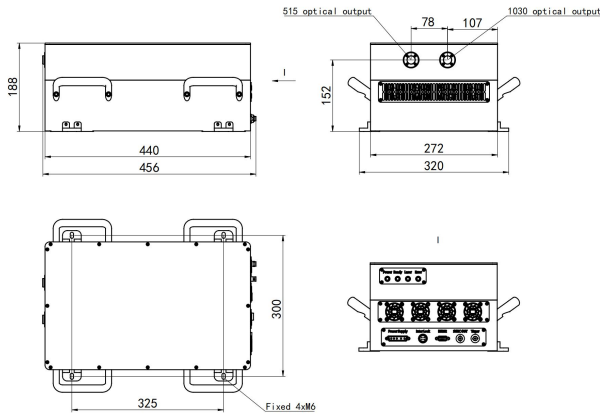


SPECIFICATIONS

Wavelength (nm)	515±5
Average power (W)	1W (1W@80MHz)
Single pulse energy (nJ)	12.5(12.5nJ @80MHz)
Rep. rate (MHz)	80 ± 1MHz
Pulse duration (fs)	<150fs @80MHz, 1W.
Peak power (kW)	83kW @80MHz
Ave power stability (over 4 hours)	<1%
Warm-up time (minutes)	<10
Transverse mode	TEM <sub>00</sub>
Beam quality(M <sup>2</sup> )	<1.2
Beam divergence, full angle (mrad)	<1.0
Beam diameter at the aperture (1/e <sup>2</sup> ,mm)	~1
Polarization ratio	>100:1
Beam height from base plate (mm)	152
Cooled method	Air cooled

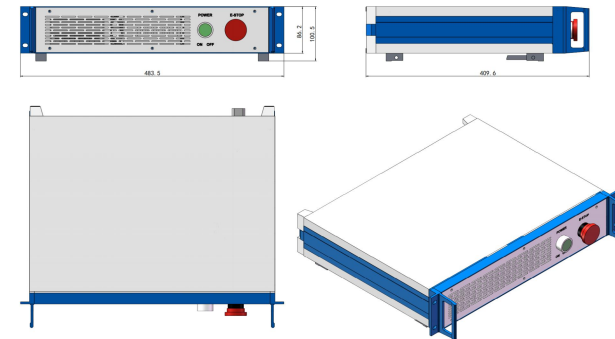


FS-H-1030-3W



440(L) × 272(W) × 188(H) mm<sup>3</sup>, 23 kg

Power supply



483.5 (L) × 409.6(W) × 100.5(H) mm<sup>3</sup>, 4.5 kg