

MBL-SF-425/1~10mW

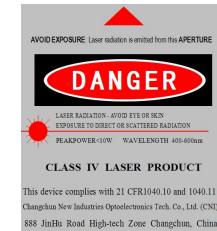
SPECIFICATIONS

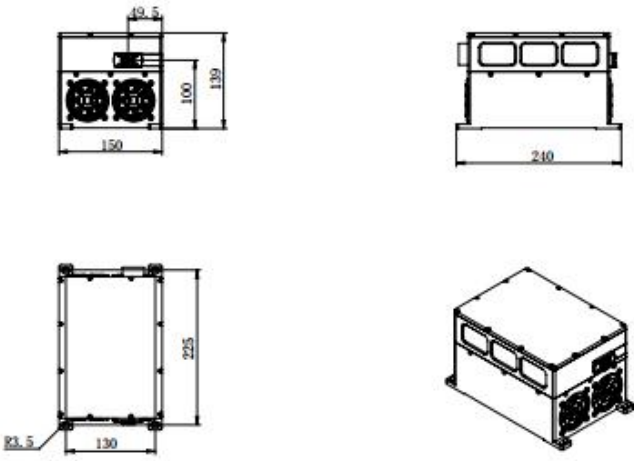
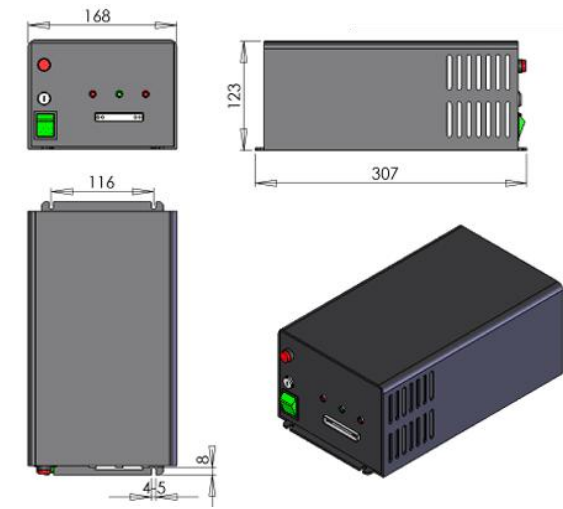
LD PUMPED ALL-SOLID-STATE  
BLUE LASER

CNI's All solid state at 425nm blue laser features of ultra compact, long lifetime, low cost and easy operating, which is used in laser display, medical treatment, scientific research, etc.



Wavelength (nm)	425±3
Operating mode	CW
Output power (mW)	>1, 2, 3, ...,10
Power stability (rms, over 4 hours)	<3%, <5%
Transverse mode	Near TEM <sub>00</sub>
Beam divergence, full angle (mrad)	<3
Beam diameter at the aperture (1/e <sup>2</sup> ,mm)	~4
Polarization ratio	>100:1
Beam height from base plate (mm)	100
Warm-up time (minutes)	<10
Operating temperature (°C)	15~30
Power supply (90-264VAC)	PSU-W-FDA
Expected lifetime (hours)	10000
Warranty period	1 year



MBL-SF-425	PSU-W-FDA
 <p>240(L)×150(W)×139(H) mm<sup>3</sup>, 7.5kg</p>	 <p>307 (L) ×168(W) ×123(H) mm<sup>3</sup>, 4.5kg</p>