

935 nm Narrow Linewidth Single-Frequency Fiber Laser AP-SF1

Applications:

- Laser Cooling and Trapping
- Optical Lattice

Features:

- Spectral Linewidth < 10 kHz
- Single Longitudinal Mode
- Low Phase Noise and RIN
- Turn-key System



Optical Characteristics:

| Parameter | Specification |
|-------------------------------|------------------------------|
| Operation Mode | CW |
| Operating Wavelength | 935 nm |
| Output Power | 5 W |
| Power Tuning Range | 10-100% |
| Power Stability (hours RMS) | < 1% |
| Spectral Linewidth | < 10 kHz |
| Beam Quality, M ² | < 1.1 |
| Beam Diameter | 1-2 mm |
| Polarization Extinction Ratio | Linear Polarization, > 20 dB |
| Fast Tuning Range (option) | >20 MHz/V |
| Fast Tuning Bandwidth | >1 kHz |
| Thermal Tuning Range (option) | 0.1-0.3 nm |
| Relative Intensity Noise | < -100 dB/Hz |
| Output Delivery | Free Space Collimated Output |

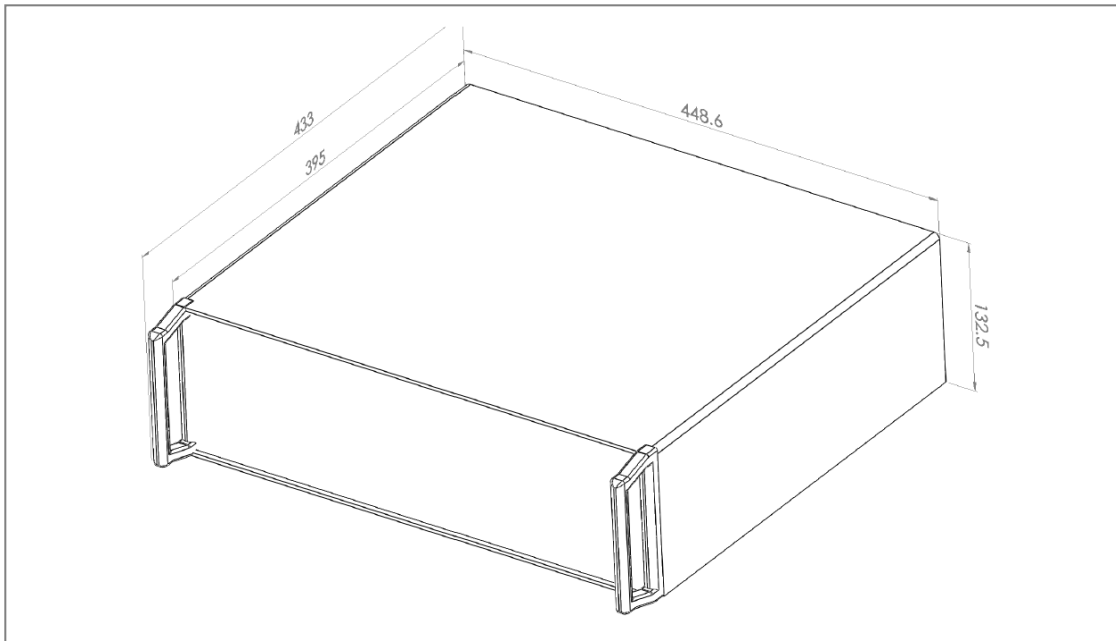
(For special requirement, please contact AdValue Photonics for options.)

Specifications subject to change without notice

General Characteristics:

| Parameter | Specification |
|-----------------------|---------------------------------|
| Operating temperature | 20 to +35 °C |
| Storage temperature | -10 to +70 °C |
| Cooling | Water |
| Power requirement | AC 100~240 V (50/60Hz) |
| Warm-up time | 10 minutes |
| Package dimensions | 448.6(W) x 433(D) x 132.5(H) mm |

Mechanical Outline:



Ordering Information:

| Part Number: | AP-SF1 | - | xxxx | - | xx | - | xx |
|--------------|--------|---|--|---|---------------------------------------|---|---|
| | | | Standard Wavelength: 1950 = 1950 nm Custom Wavelength: xxxx = xxxx nm | | Output Power: 01 = 1 W 05 = 5 W | | Polarization: RP = random polarization LP = linear polarization |



Specifications subject to change without notice