

Broadband Mid-IR Light Source

AP-SC-MIR

The AP-SC-MIR is a turn-key, fiber-based supercontinuum light source covering the mid-IR spectrum from about 1850 nm to 2500 nm.

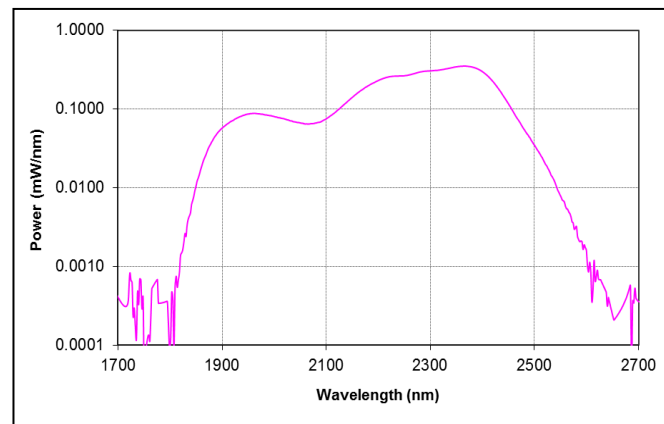
Applications:

- Optical component testing
- Gas analysis
- Biomedical analysis
- Spectroscopy
- Research & development



Features:

- Very broad bandwidth
- Mid-IR wavelength region
- High output power
- Diffraction limited beam quality
- Turn-key system with no maintenance



Optical Characteristics:

Parameter	Specification
10dB bandwidth	>500 nm (~ 1.9 to 2.4 μm)
Average output power (nominal)	100 mW
Output power stability	$\pm 5\%$ (at 25 $^{\circ}\text{C}$)
Operation mode	10 kHz
Beam quality, M^2	< 1.1
Output polarization	Random
Output fiber and connector	SMF-28 single mode fiber, 1 m length, 3 mm jacket, FC/APC connector

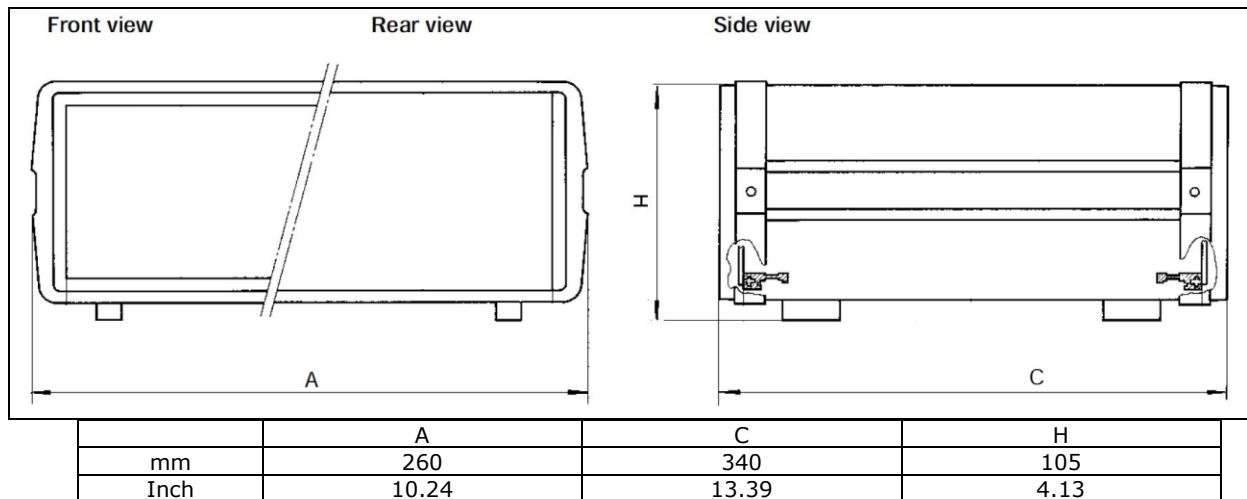
(Customization options available.)

Specifications subject to change without notice

General Characteristics:

Parameter	Specification
Operating temperature	5 to +35 °C
Storage temperature	-10 to +65 °C
Cooling	Forced air
Power requirement	AC 100~240 V (50/60Hz)
Warm-up time	20 minutes
Package dimensions	105(H) x 178(W) x 340(D) mm

Mechanical Outline:



Ordering Information:

Part Number:	AP-SC-MIR	-	2000	-	mxxx			
					Output Power: M100 = 100 mW			

For special request, please contact us for more information at 1-520-790-5468 or sales@advaluephotonics.com.



Specifications subject to change without notice

Innovative products made in the Optics Valley, Tucson, Arizona, USA