



SOA-1310-M



DEVICE

Semiconductor Optical Amplifier, 1250-1350nm

OVERVIEW

The Optilab SOA-1310-M is a semiconductor optical amplifier with high fiber-to-fiber gain, designed to be used in general applications to increase optical launch power to compensate for loss of other optical devices. The SOA-1310-M can be ordered with Single Mode (SM) or Polarization Maintaining (PM) fiber input/output, with this particular SOA module having broadband amplification from 1250nm to 1350nm wavelengths, in a compact OEM module form factor based upon MSA requirements. This module version is an ideal building block for system integrators, especially in optical communication networks and CATV applications. It requires only a single +5V power supply with low power consumption, with a full software control and monitoring via RS232 serial communication protocol.

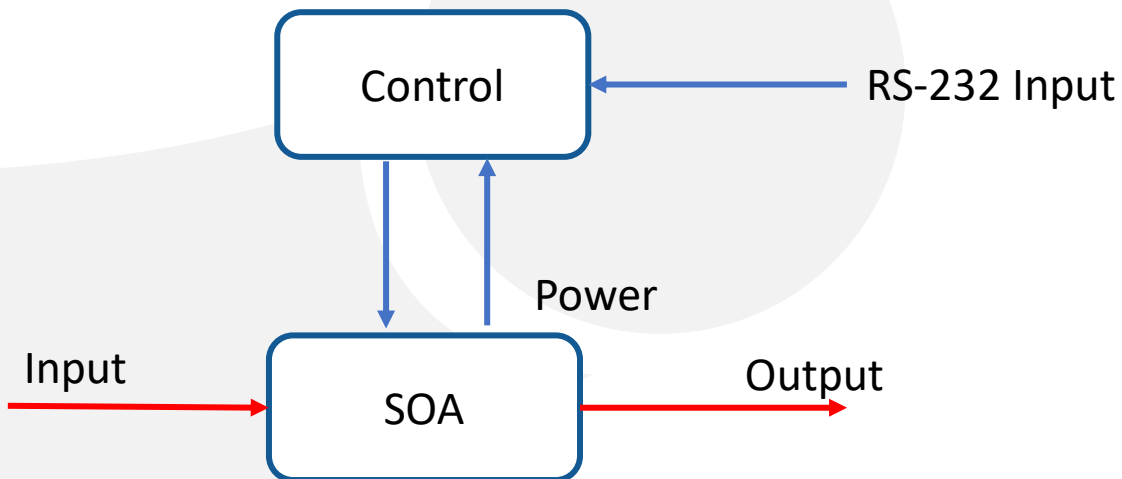
FEATURES

- Wideband 1250nm – 1350nm amplification
- High fiber-to-fiber gain 20 dB
- Up to 16 dBm output
- Compact OEM design for MSA form factor
- PM Panda fiber input/output (optional)

USE IN

- Booster and in-line amplification
- Optical network
- General purpose test and measurement
- Fiber sensing

FUNCTION DIAGRAM





SOA-1310-M

SPECIFICATIONS

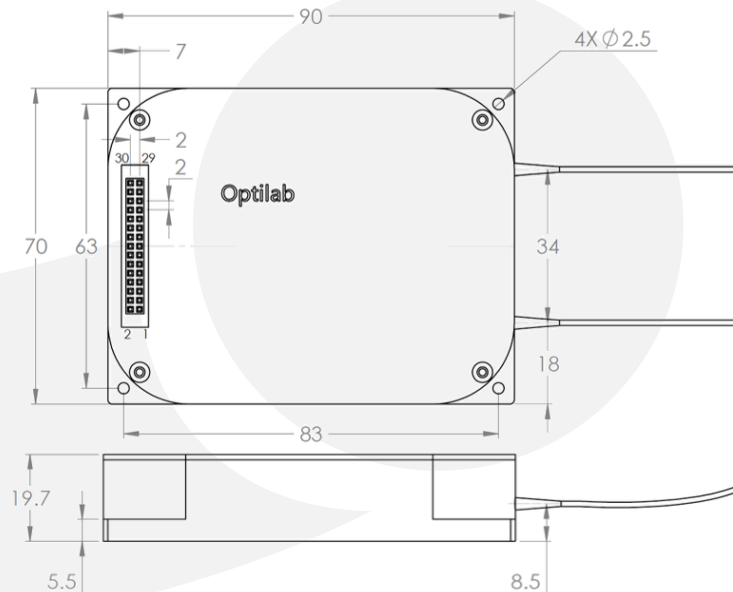
GENERAL

MECHANICAL

MECHANICAL DRAWING

Operating Wavelength	1250nm to 1350nm
Saturated Output Power @ -3 dB input	+16 dBm typ.
Input Power	-25 ~ +5 dBm
Fiber-to-fiber Gain	Up to 20 dB @ small signal input
Noise Figure	7 dB typ.
Gain Ripple	0.3 dB typ.
Input Optical Return Loss	-55 dB typ.
Input/Output Isolation	30 dB min. (w/ isolator option)
Polarization Dependent Gain (PDG)	0.5 dB max
Polarization Extinction Ratio (PM type)	20 dB typ.
Power Stability	± 0.1 dB over 8 hours
Output Current Control	10% to 100% operating current

Operating Temperature	10 °C to +50 °C
Storage Temperature	-10 °C to +70 °C
Operating Humidity	0% to 85% Relative Humidity
Fiber Type (Standard)	SMF-28 Input, SMF-28 Output
Fiber Type (PM) Version	PANDA PM Input, PANDA PM Output
Connector (Power and Control)	2 x 15 pin header, 2.0 mm pitch
Controls/Monitoring	Input/Output Monitor, Current Control via RS-232
Alarms	Overheat Warning
Power Supply	5 V DC
Dimensions	90mm x 70mm x 19.7mm





SOA-1310-M

OPTIONS

SOA-1310-XX-M

XX SM: Single Mode, PM: Polarization Maintaining

ACCESSORIES



**5V Power Adapter
(Included)**



**30 PIN Cable
(Included)**



**Adapter Box
(Included)**

