

EOLS-BI1312-40 60 80 Series

EOLS-BI1512-40 60 80 Series

Single-Mode 100Mbps to 1.25Gbps FE/GBE /FC
 SC/LC Single-Fiber SFP Transceiver
 RoHS Compliant



Features

- ◆ Up to 1.25Gbps Data Links
- ◆ A type: 1310nm DFB TX /1550nm RX
 B type: 1550nm DFB TX /1310nm RX
- ◆ 40km with 9/125 μm SMF for EOLS-BI1X12-40 Series
 60km with 9/125 μm SMF for EOLS-BI1X12-60 Series
 80km with 9/125 μm SMF for EOLS-BI1X12-80 Series
- ◆ Single 3.3V Power supply and TTL Logic Interface
- ◆ Hot-Pluggable SFP Footprint Simplex SC/LC Connector Interface
- ◆ Class 1 FDA and IEC60825-1 Laser Safety Compliant
- ◆ Operating Case Temperature
 Standard: 0°C~+70°C
 Industrial:-40°C~+85°C
- ◆ Compliant with SFP MSA Specification
- ◆ Compliant with Digital Diagnostic Monitor Interface
 SFF-8472
- ◆ Safety Certification: TUV/UL/FDA *Note1

Applications

- ◆ Fiber Channel Links
- ◆ Gigabit Ethernet
- ◆ Fast Ethernet
- ◆ WDM Gigabit Ethernet Links
- ◆ Other Optical Links

Ordering Information

Part No.	Data Rate	Wavelength	Interface	Temp.	DDMI
EOLS-BI1312-40*(Note2)	1.063/1.25Gbps	1310nm	SC	Standard	NO
EOLS-BI1512-40*(Note2)	1.063/1.25Gbps	1550nm	SC	Standard	NO
EOLS-BI1312-40-I	1.063/1.25Gbps	1310nm	SC	Industrial	NO
EOLS-BI1512-40-I	1.063/1.25Gbps	1550nm	SC	Industrial	NO
EOLS-BI1312-40-D	1.063/1.25Gbps	1310nm	SC	Standard	YES

EOLS-BI1512-40-D	1.063/1.25Gbps	1550nm	SC	Standard	YES
EOLS-BI1312-40-DI	1.063/1.25Gbps	1310nm	SC	Industrial	YES
EOLS-BI1512-40-DI	1.063/1.25Gbps	1550nm	SC	Industrial	YES
EOLS-BI1312-40-L ^{*(Note2)}	1.063/1.25Gbps	1310nm	LC	Standard	NO
EOLS-BI1512-40-L ^{*(Note2)}	1.063/1.25Gbps	1550nm	LC	Standard	NO
EOLS-BI1312-40-IL	1.063/1.25Gbps	1310nm	LC	Industrial	NO
EOLS-BI1512-40-IL	1.063/1.25Gbps	1550nm	LC	Industrial	NO
EOLS-BI1312-40-DL	1.063/1.25Gbps	1310nm	LC	Standard	YES
EOLS-BI1512-40-DL	1.063/1.25Gbps	1550nm	LC	Standard	YES
EOLS-BI1312-40-DIL	1.063/1.25Gbps	1310nm	LC	Industrial	YES
EOLS-BI1512-40-DIL	1.063/1.25Gbps	1550nm	LC	Industrial	YES
EOLS-BI1312-60 ^{*(Note2)}	1.063/1.25Gbps	1310nm	SC	Standard	NO
EOLS-BI1512-60 ^{*(Note2)}	1.063/1.25Gbps	1550nm	SC	Standard	NO
EOLS-BI1312-60-I	1.063/1.25Gbps	1310nm	SC	Industrial	NO
EOLS-BI1512-60-I	1.063/1.25Gbps	1550nm	SC	Industrial	NO
EOLS-BI1312-60-D	1.063/1.25Gbps	1310nm	SC	Standard	YES
EOLS-BI1512-60-D	1.063/1.25Gbps	1550nm	SC	Standard	YES
EOLS-BI1312-60-DI	1.063/1.25Gbps	1310nm	SC	Industrial	YES
EOLS-BI1512-60-DI	1.063/1.25Gbps	1550nm	SC	Industrial	YES
EOLS-BI1312-60-L ^{*(Note2)}	1.063/1.25Gbps	1310nm	LC	Standard	NO
EOLS-BI1512-60-L ^{*(Note2)}	1.063/1.25Gbps	1550nm	LC	Standard	NO
EOLS-BI1312-60-IL	1.063/1.25Gbps	1310nm	LC	Industrial	NO
EOLS-BI1512-60-IL	1.063/1.25Gbps	1550nm	LC	Industrial	NO
EOLS-BI1312-60-DL	1.063/1.25Gbps	1310nm	LC	Standard	YES
EOLS-BI1512-60-DL	1.063/1.25Gbps	1550nm	LC	Standard	YES
EOLS-BI1312-60-DIL	1.063/1.25Gbps	1310nm	LC	Industrial	YES
EOLS-BI1512-60-DIL	1.063/1.25Gbps	1550nm	LC	Industrial	YES
EOLS-BI1312-80 ^{*(Note2)}	1.063/1.25Gbps	1310nm	SC	Standard	NO
EOLS-BI1512-80 ^{*(Note2)}	1.063/1.25Gbps	1550nm	SC	Standard	NO
EOLS-BI1312-80-I	1.063/1.25Gbps	1310nm	SC	Industrial	NO
EOLS-BI1512-80-I	1.063/1.25Gbps	1550nm	SC	Industrial	NO
EOLS-BI1312-80-D	1.063/1.25Gbps	1310nm	SC	Standard	YES
EOLS-BI1512-80-D	1.063/1.25Gbps	1550nm	SC	Standard	YES
EOLS-BI1312-80-DI	1.063/1.25Gbps	1310nm	SC	Industrial	YES
EOLS-BI1512-80-DI	1.063/1.25Gbps	1550nm	SC	Industrial	YES
EOLS-BI1312-80-L ^{*(Note2)}	1.063/1.25Gbps	1310nm	LC	Standard	NO
EOLS-BI1512-80-L ^{*(Note2)}	1.063/1.25Gbps	1550nm	LC	Standard	NO

EOLS-BI1312-80-IL	1.063/1.25Gbps	1310nm	LC	Industrial	NO
EOLS-BI1512-80-IL	1.063/1.25Gbps	1550nm	LC	Industrial	NO
EOLS-BI1312-80-DL	1.063/1.25Gbps	1310nm	LC	Standard	YES
EOLS-BI1512-80-DL	1.063/1.25Gbps	1550nm	LC	Standard	YES
EOLS-BI1312-80-DIL	1.063/1.25Gbps	1310nm	LC	Industrial	YES
EOLS-BI1512-80-DIL	1.063/1.25Gbps	1550nm	LC	Industrial	YES

Note1: For the latest certification information, please check with Eoptolink.

Note2: Standard version

*The product image only for reference purpose.

Product Description

The EOLS-BIXX12-X series is small form factor pluggable module for Gigabit Ethernet 1000BASE-BX and Fiber Channel single fiber applications by using 1310nm / 1550nm transmitter and 1550nm / 1310nm receiver. It is with the SFP 20-pin connector to allow hot plug capability.

The transmitter section uses a distributed feedback laser and is a class 1 laser compliant according to International Safety Standard IEC 60825. The receiver section uses an integrated A type / B type detector preamplifier (IDP) mounted in an optical header and a limiting post-amplifier IC.

The EOLS-BIXX12-XD series are designed to be compliant with SFF-8472 Multi-source Agreement (MSA).

Absolute Maximum Ratings

Parameter	Symbol	Min.	Max.	Unit
Storage Temperature	Ts	-40	+85	°C
Supply Voltage	Vcc	-0.5	3.6	V
Operating Relative Humidity		-	95	%

*Exceeding any one of these values may destroy the device immediately.

Recommended Operating Conditions

Parameter	Symbol	Min.	Typical	Max.	Unit
Operating Case Temperature	T _c	EOLS-BIXX12-X	0	+70	°C
		EOLS-BIXX12-XI	-40	+85	
Power Supply Voltage	Vcc	3.1	3.3	3.45	V
Power Supply Current	Icc			300	mA
Data Rate	FE		100		Mbps
	FC		1.063		Gbps
	GBE		1.25		Gbps

Performance Specifications - Electrical

Parameter	Symbol	Min.	Typ.	Max	Unit	Notes
Transmitter						
LVPECL Inputs(Differential)	Vin	400		2000	mVpp	AC coupled inputs*(note5)
Input Impedance (Differential)	Zin	85	100	115	ohm	Rin > 100 kohm @ DC
TX_Dis	Disable	2		Vcc+0.3	V	
	Enable	0		0.8		
TX_FAULT	Fault	2		Vcc+0.3	V	
	Normal	0		0.5		
Receiver						
LVPECL Outputs (Differential)	Vout	400		2000	mVpp	AC coupled outputs*(note5)
Output Impedance (Differential)	Zout	85	100	115	ohm	
RX_LOS	LOS	2		Vcc+0.3	V	
	Normal	0		0.8	V	
MOD_DEF (0:2)	VoH	2.5			V	With Serial ID
	VoL	0		0.5	V	

Performance Specifications - Optical

(EOLS-BI1312-40, 1310nm DFB and PIN, 40km)

Parameter	Symbol	Min.	Typical	Max.	Unit
9µm Core Diameter SMF	L		40		km
Data Rate		100	1250		Mbps
Transmitter					
Center Wavelength	λ_c	1290	1310	1330	nm
Spectral Width (-20dB)	$\Delta\lambda$			1	nm
Side Mode Suppression Ratio	SMSR	30			dB
Average Output Power*(note3)	Pout	-3		2	dBm
Extinction Ratio	ER	8.2			dB
Rise/Fall Time(20%~80%)	tr/tf			0.26	ns
Output Optical Eye*(note4)	Compliant with IEEE 802.3 ah-2004*(note7)				
TX_Disable Assert Time	t_off			10	us
Pout@TX Disable Asserted	Pout			-45	dBm
Receiver					
Center Wavelength	λ_c	1480	1550	1580	nm
Receiver Sensitivity*(note6)	Pmin			-23	dBm
Receiver Overload	Pmax	-3			dBm

Return Loss		12			dB
Optical Path Penalty				1	dB
LOS De-Assert	LOSD			-24	dBm
LOS Assert	LOSA	-35			dBm
LOS Hysteresis ^{*(note8)}		0.5			dB

(EOLS-BI1512-40, 1550nm DFB and PIN, 40km)

Parameter	Symbol	Min.	Typical	Max.	Unit
9μm Core Diameter SMF	L		40		km
Data Rate		100	1250		Mbps
Transmitter					
Center Wavelength	λ_c	1480	1550	1580	nm
Spectral Width (-20dB)	$\Delta\lambda$			1	nm
Side Mode Suppression Ratio	SMSR	30			dB
Average Output Power ^{*(note3)}	P _{out}	-5		0	dBm
Extinction Ratio	ER	8.2			dB
Rise/Fall Time(20%~80%)	t _r /t _f			0.26	ns
Output Optical Eye ^{*(note4)}	Compliant with IEEE 802.3ah-2004 ^{*(note7)}				
TX_Disable Assert Time	t _{off}			10	us
P _{out} @TX Disable Asserted	P _{out}			-45	dBm
Receiver					
Center Wavelength	λ_c	1290		1330	nm
Receiver Sensitivity ^{*(note6)}	P _{min}			-23	dBm
Receiver Overload	P _{max}	-3			dBm
Return Loss		12			dB
Optical Path Penalty				1	dB
LOS De-Assert	LOSD			-24	dBm
LOS Assert	LOSA	-35			dBm
LOS Hysteresis ^{*(note8)}		0.5			dB

(EOLS-BI1312-60, 1310nm DFB and PIN, 60km)

Parameter	Symbol	Min.	Typical	Max.	Unit
9μm Core Diameter SMF	L		60		km
Data Rate		100	1250		Mbps
Transmitter					
Center Wavelength	λ_c	1290	1310	1330	nm
Spectral Width (-20dB)	$\Delta\lambda$			1	nm
Side Mode Suppression Ratio	SMSR	30			dB
Average Output Power ^{*(note3)}	P _{out}	0		+5	dBm
Extinction Ratio	ER	8.2			dB
Rise/Fall Time(20%~80%)	t _r /t _f			0.26	ns
Output Optical Eye ^{*(note4)}	Compliant with IEEE 802.3 ah-2004 ^{*(note7)}				

TX_Disable Assert Time	t_off			10	us
P _{out} @TX Disable Asserted	P _{out}			-45	dBm
Receiver					
Center Wavelength	λ_c	1480	1550	1580	nm
Receiver Sensitivity*(note6)	P _{min}			-24	dBm
Receiver Overload	P _{max}	-3			dBm
Return Loss		12			dB
Optical Path Penalty				1	dB
LOS De-Assert	LOSD			-25	dBm
LOS Assert	LOSA	-35			dBm
LOS Hysteresis*(note8)		0.5			dB

(EOLS-BI1512-60, 1550nm DFB and PIN, 60km)

Parameter	Symbol	Min.	Typical	Max.	Unit
9 μ m Core Diameter SMF	L		60		km
Data Rate		100	1250		Mbps
Transmitter					
Center Wavelength	λ_c	1480	1550	1580	nm
Spectral Width (-20dB)	$\Delta\lambda$			1	nm
Side Mode Suppression Ratio	SMSR	30			dB
Average Output Power*(note3)	P _{out}	-2		+3	dBm
Extinction Ratio	ER	8.2			dB
Rise/Fall Time(20%~80%)	t _r /t _f			0.26	ns
Output Optical Eye*(note4)	Compliant with IEEE 802.3ah-2004*(note7)				
TX_Disable Assert Time	t_off			10	us
P _{out} @TX Disable Asserted	P _{out}			-45	dBm
Receiver					
Center Wavelength	λ_c	1290		1330	nm
Receiver Sensitivity*(note6)	P _{min}			-24	dBm
Receiver Overload	P _{max}	-3			dBm
Return Loss		12			dB
Optical Path Penalty				1	dB
LOS De-Assert	LOSD			-25	dBm
LOS Assert	LOSA	-35			dBm
LOS Hysteresis*(note8)		0.5			dB

(EOLS-BI1312-80, 1310nm DFB and PIN, 80km)

Parameter	Symbol	Min.	Typical	Max.	Unit
9 μ m Core Diameter SMF	L		80		km
Data Rate		100	1250		Mbps
Transmitter					
Center Wavelength	λ_c	1290	1310	1330	nm

Spectral Width (-20dB)	$\Delta\lambda$			1	nm
Side Mode Suppression Ratio	SMSR	30			dB
Average Output Power*(note3)	P _{out}	+1		+5	dBm
Extinction Ratio	ER	8.2			dB
Rise/Fall Time(20%~80%)	tr/tf			0.26	ns
Output Optical Eye*(note4)	Compliant with IEEE 802.3 ah-2004*(note7)				
TX_Disable Assert Time	t _{off}			10	us
P _{out} @TX Disable Asserted	P _{out}			-45	dBm
Receiver					
Center Wavelength	λ_c	1480	1550	1580	nm
Receiver Sensitivity*(note6)	P _{min}			-24	dBm
Receiver Overload	P _{max}	-3			dBm
Return Loss		12			dB
Optical Path Penalty				1	dB
LOS De-Assert	LOSD			-25	dBm
LOS Assert	LOSA	-35			dBm
LOS Hysteresis*(note8)		0.5			dB

(EOLS-BI1512-80, 1550nm DFB and APD, 80km)

Parameter	Symbol	Min.	Typical	Max.	Unit
9μm Core Diameter SMF	L		80		km
Data Rate		100	1250		Mbps
Transmitter					
Center Wavelength	λ_c	1480	1550	1580	nm
Spectral Width (-20dB)	$\Delta\lambda$			1	nm
Side Mode Suppression Ratio	SMSR	30			dB
Average Output Power*(note3)	P _{out}	0		+5	dBm
Extinction Ratio	ER	8.2			dB
Rise/Fall Time(20%~80%)	t _r /t _f			0.26	ns
Output Optical Eye*(note4)	Compliant with IEEE 802.3ah-2004*(note7)				
TX_Disable Assert Time	t _{off}			10	us
P _{out} @TX Disable Asserted	P _{out}			-45	dBm
Receiver					
Center Wavelength	λ_c	1290		1330	nm
Receiver Sensitivity*(note6)	P _{min}			-33	dBm
Receiver Overload	P _{max}	-8			dBm
Return Loss		12			dB
Optical Path Penalty				1	dB
LOS De-Assert	LOSD			-34	dBm
LOS Assert	LOSA	-45			dBm
LOS Hysteresis*(note8)		0.5			dB

Note3: Output is coupled into a 9/125μm single-mode fiber.

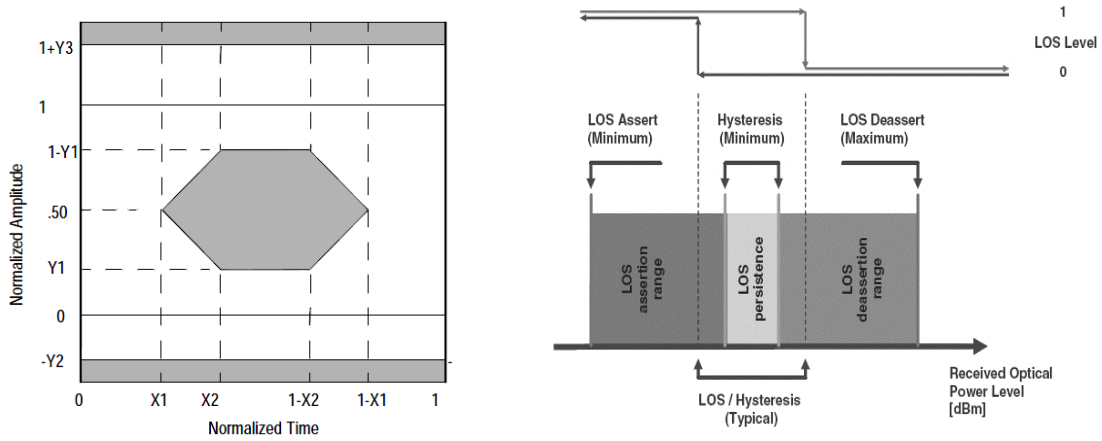
Note4: Filtered, measured with a PRBS 2⁷-1.

Note5: LVPECL logic, internally AC coupled.

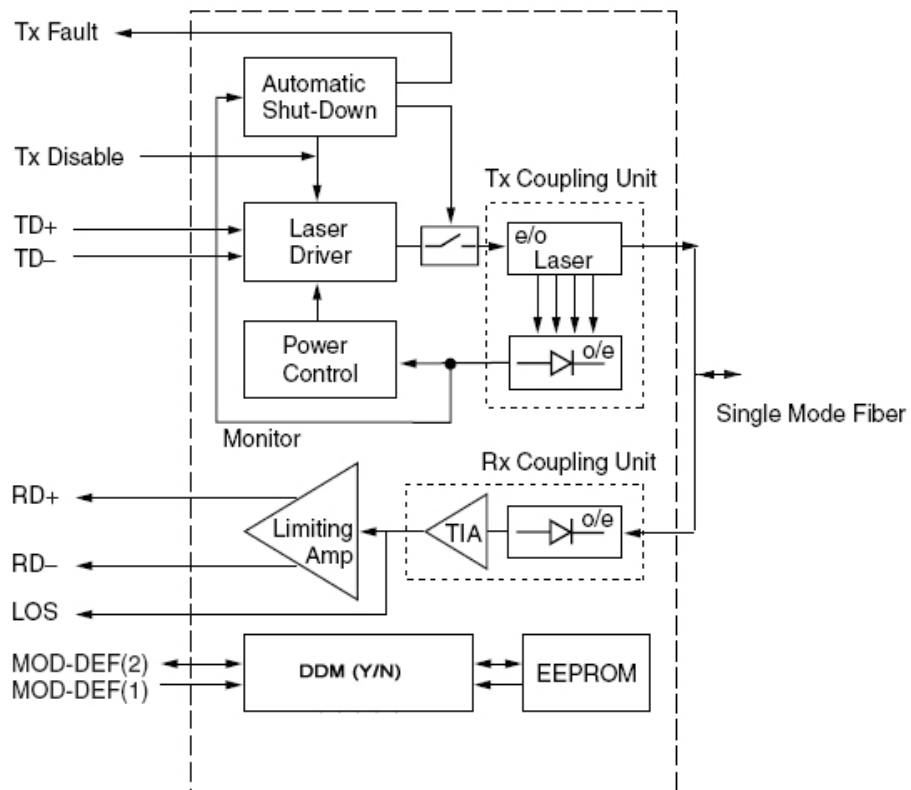
Note6: Measured at all data rates specified in Data Rate table with ER=9 dB, 2⁷-1 PRBS data pattern, BER <1E-12.

Note7: Eye Pattern Mask

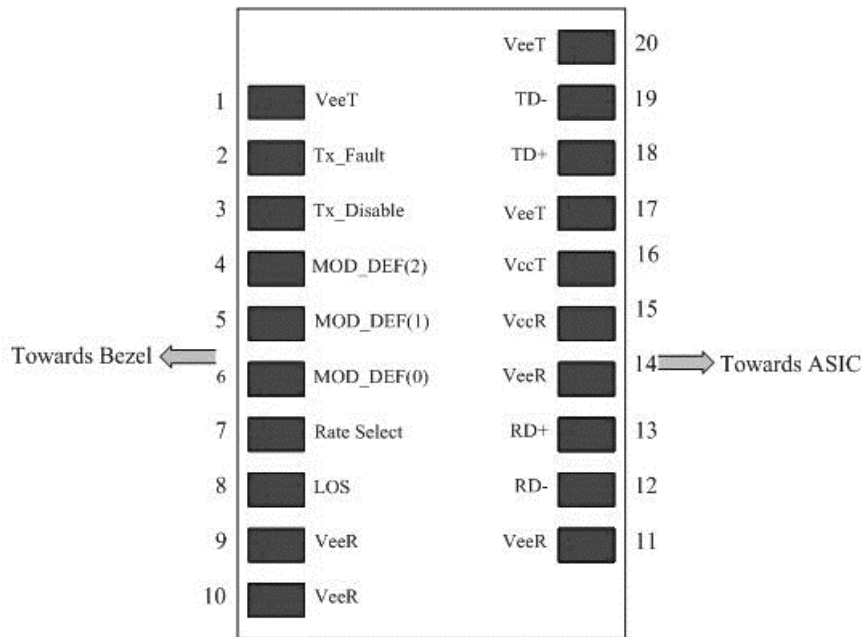
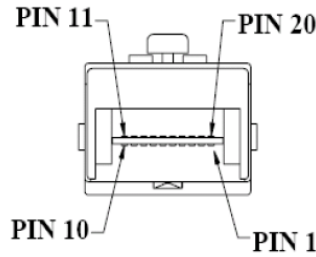
Note8: LOS Hysteresis



Functional Description of Transceiver



SFP Transceiver Electrical Pad Layout



Pin Function Definitions

Pin NO.	Name	Function	Plug Seq.	Notes
1	VeeT	Transmitter Ground	1	5)
2	TX Fault	Transmitter Fault Indication	3	1)
3	TX Disable	Transmitter Disable	3	2) Module disables on high or open
4	MOD-DEF2	Module Definition 2	3	3) Data line for Serial ID.
5	MOD-DEF1	Module Definition 1	3	3) Clock line for Serial ID.
6	MOD-DEF0	Module Definition 0	3	3) Grounded within the module.
7	Rate Select	Not Connect	3	Function not available
8	LOS	Loss of Signal	3	4)
9	VeeR	Receiver Ground	1	5)
10	VeeR	Receiver Ground	1	5)
11	VeeR	Receiver Ground	1	5)
12	RD-	Inv. Received Data Out	3	6)
13	RD+	Received Data Out	3	6)

14	VeeR	Receiver Ground	1	5)
15	VccR	Receiver Power	2	7) 3.3 ± 5%
16	VccT	Transmitter Power	2	7) 3.3 ± 5%
17	VeeT	Transmitter Ground	1	5)
18	TD+	Transmit Data In	3	8)
19	TD-	Inv. Transmit Data In	3	8)
20	VeeT	Transmitter Ground	1	5)

Notes:

1) TX Fault is an open collector/drain output, which should be pulled up with a 4.7K – 10KΩ resistor on the host board. Pull up voltage between 2.0V and VccT, R+0.3V. When high, output indicates a laser fault of some kind. Low indicates normal operation. In the low state, the output will be pulled to < 0.8V.

2) TX disable is an input that is used to shut down the transmitter optical output. It is pulled up within the module with a 4.7 – 10 KΩ resistor. Its states are:

Low (0 – 0.8V): Transmitter on

(>0.8, < 2.0V): Undefined

High (2.0 – 3.465V): Transmitter Disabled

Open: Transmitter Disabled

3) Mod-Def 0,1,2. These are the module definition pins. They should be pulled up with a 4.7K – 10K resistor on the host board. The pull-up voltage shall be VccT or VccR .

Mod-Def 0 is grounded by the module to indicate that the module is present

Mod-Def 1 is the clock line of two wire serial interface for serial ID

Mod-Def 2 is the data line of two wire serial interface for serial ID

4) LOS (Loss of Signal) is an open collector/drain output, which should be pulled up with a 4.7K – 10KΩ resistor. Pull up voltage between 2.0V and VccT, R+0.3V. When high, this output indicates the received optical power is below the worst-case receiver sensitivity (as defined by the standard in use). Low indicates normal operation. In the low state, the output will be pulled to < 0.8V.

5) VeeR and VeeT may be internally connected within the SFP module.

6) RD-/+ : These are the differential receiver outputs. They are AC coupled 100Ω differential lines which should be terminated with 100Ω (differential) at the user SERDES. The AC coupling is done inside the module and is thus not required on the host board.

7) VccR and VccT are the receiver and transmitter power supplies. They are defined as 3.3V ±5% at the SFP connector pin. Maximum supply current is 300mA. Recommended host board power supply filtering is shown below. Inductors with DC resistance of less than 1 ohm should be used in order to maintain the required voltage at the SFP input pin with 3.3V supply voltage. When the recommended supply-filtering network is used, hot plugging of the SFP transceiver module will

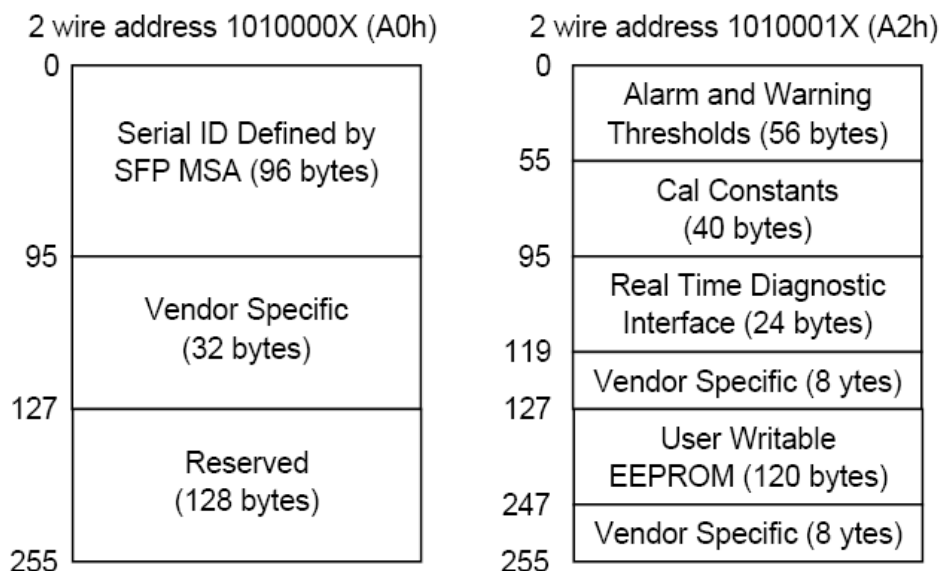
result in an inrush current of no more than 30mA greater than the steady state value. VccR and VccT may be internally connected within the SFP transceiver module.

8) TD-/+ : These are the differential transmitter inputs. They are AC-coupled, differential lines with 100Ω differential termination inside the module. The AC coupling is done inside the module and is thus not required on the host board.

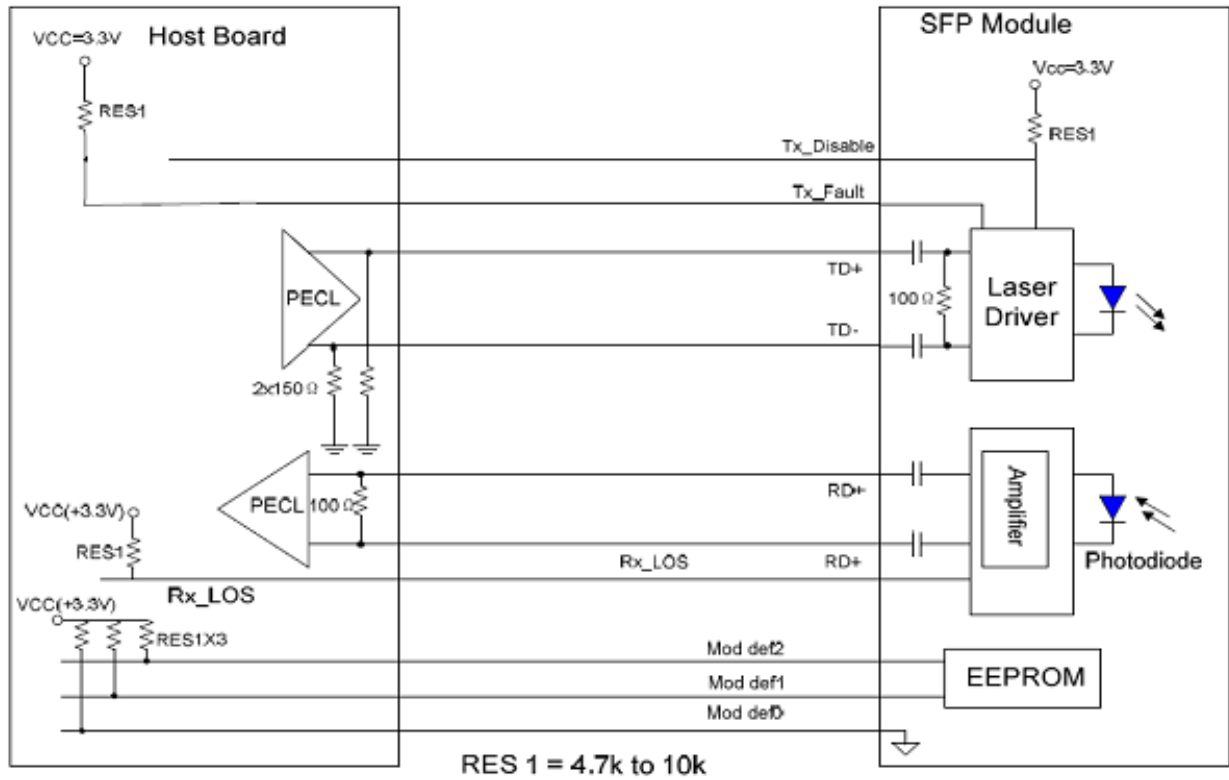
EEPROM

The serial interface uses the 2-wire serial CMOS EEPROM protocol defined for the ATMEL AT24C02/04 family of components. When the serial protocol is activated, the host generates the serial clock signal (SCL). The positive edge clocks data into those segments of the EEPROM that are not write protected within the SFP transceiver. The negative edge clocks data from the SFP transceiver. The serial data signal (SDA) is bi-directional for serial data transfer. The host uses SDA in conjunction with SCL to mark the start and end of serial protocol activation. The memories are organized as a series of 8-bit data words that can be addressed individually or sequentially.

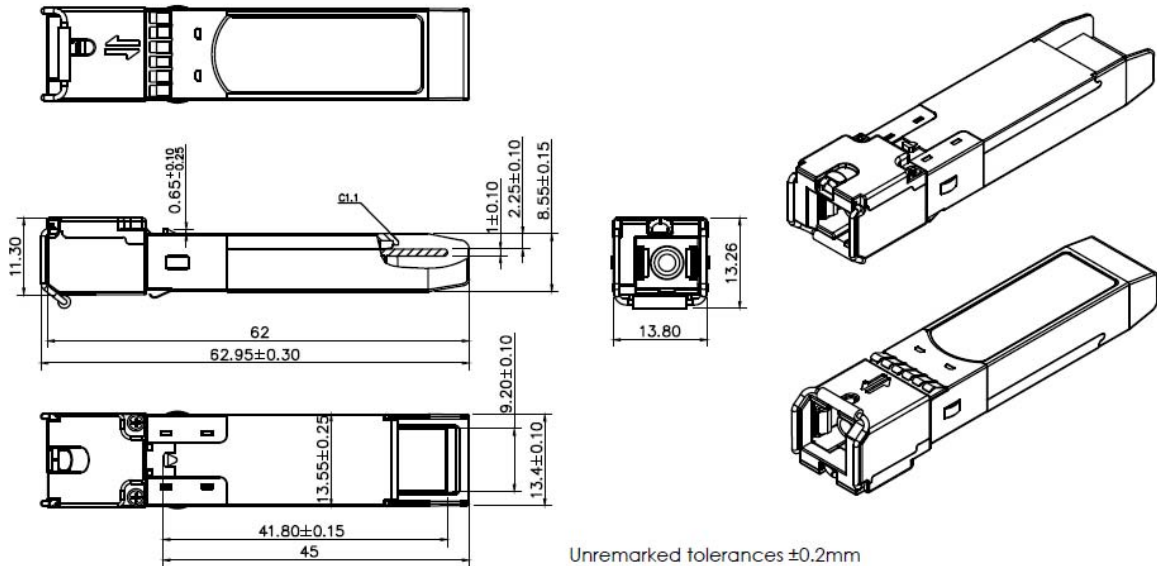
The Module provides diagnostic information about the present operating conditions. The transceiver generates this diagnostic data by digitization of internal analog signals. Calibration and alarm/warning threshold data is written during device manufacture. Received power monitoring, transmitted power monitoring, bias current monitoring, supply voltage monitoring and temperature monitoring all are implemented. If the module is defined as external calibrated, the diagnostic data are raw A/D values and must be converted to real world units using calibration constants stored in EEPROM locations 56 – 95 at wire serial bus address A2H. The digital diagnostic memory map specific data field define as following .For detail EEPROM information, please refer to the related document of SFF 8472 Rev 9.3.



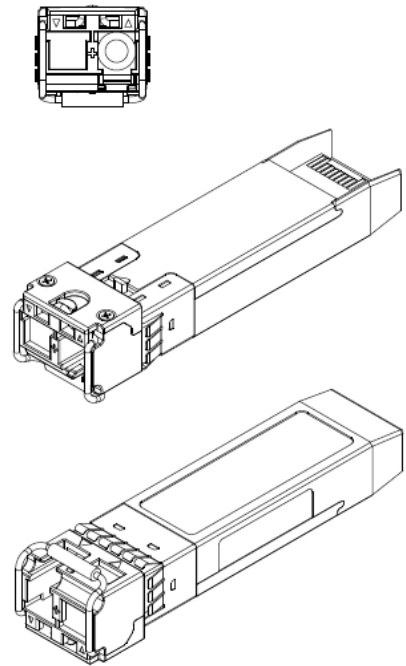
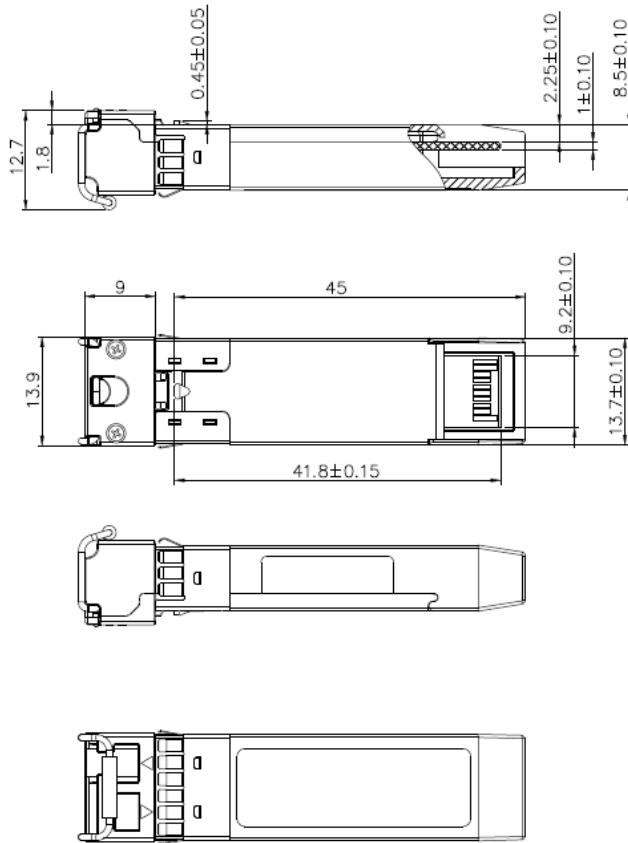
Recommended Circuit Schematic



Mechanical Specifications



SC



Unremarked tolerances ±0.2mm

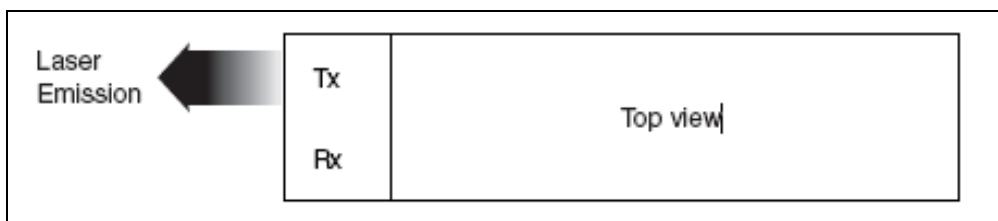
LC

*This 2D drawing only for reference, please check with Eoptolink before ordering.

Laser Emission Data

Wavelength	1310nm
Total output power (as defined by FDA: 7mm aperture at 20cm distance)	<0.195mW
Total output power (as defined by IEC: 7mm aperture at 10cm distance)	<15.6mW
Beam divergence	12.5°
Wavelength	1550nm
Total output power (as defined by FDA: 7mm aperture at 20cm distance)	<0.79mW
Total output power (as defined by IEC: 7mm aperture at 10cm distance)	<10mW
Beam divergence	12.5°

Laser Emission



Obtaining Document

You can visit our website:

<http://www.eoptolink.com>

Or contact Eoptolink Technology Inc., Ltd. Listed at the end of the documentation to get the latest document.

Revision History

Revision	Initiated	Reviewed	Approved	Revision History	Release Date
V3.a	Cathy	Kelly		Released.	Mar 27, 2010
V4.a	Phlio			Update Recommend Circuit	Aug 10, 2011
V4.b	Phlio	Kelly		Integrate 60 km DS	Aug 22, 2011
V4.c	Kelly			Update photo.	Nov 4, 2011
V4.d	Phlio	Kelly		Update 60Km link budget.	Oct 10, 2012
V4.e	Arvin, Abby	Lyn, Kelly		Update Sen	Jan 7, 2013
V4.f	Angela	Kelly/Vina/Daquan.Dong		Update the regulatory compliance, LOSA and the tolerances of 2D drawing.	April 10,2015
V4.g	Angela	Kelly/Daquan.Dong/Lyn/Jason/Nygai		Update LOSA.	April 15,2015
V4.h	Angela	KellyAaron		Update the eye pattern mask,	Oct 9,2015
V4.i	Angela	Vina/Dean	Kelly	Update the regulatory compliance and 2D drawing.	Sep 02,2016
V4.j	Angela	Kelly/Lyn/Arvin	Phlio	Add Return Loss in the table of optical performance specifications.	Oct 18,2016
V4.k	Angela	Kelly/Yiwei.Cheng/C hao.Wang		Updated the regulatory compliance information and 2D drawing.	Dec 18, 2018
V4.l	Downey/ Angela	Lyn/Flagon/ Nygai		Add the PN and optical parameters of 80km. Add optical path penalty for 1310 nm	Jul 8, 2018

Notice:

Eoptolink reserves the right to make changes to or discontinue any optical link product or service identified in this publication, without notice, in order to improve design and/or performance. Applications that are described herein for any of the optical link products are for illustrative purposes only. Eoptolink makes no representation or warranty that such applications will be suitable for the specified use without further testing or modification.

Contact:

Add: No.127 West Wulian Street, Gongxing Town, Shuangliu district, Chengdu City, Sichuan,
China.

Tel: (+86) 028-67087999

Fax: (+86) 28-67087979-8010

Postal: 610213

E-mail: sales@eoptolink.com

<http://www.eoptolink.com>