

EOLS-BI1603-40-LCXX Series

EOLS-BI1603-40-CLXX Series

Single-Mode 100Mbps~155Mbps
 SC/LC Single-Fiber SFP Transceiver
 RoHS6 Compliant

Features

- ◆ Support 155Mbps Data Links
- ◆ A type: 1310nm FP TX / 1490nm RX
 B type: 1490nm DFB TX / 1310nm RX
- ◆ 40km with 9/125 μm SMF
- ◆ Single 3.3V Power Supply and TTL Logic Interface
- ◆ Hot-Pluggable SFP Footprint SC/LC Connector Interface
- ◆ Class 1 FDA and IEC60825-1 Laser Safety Compliant
- ◆ Operating Case Temperature
 Standard: 0°C~+70°C
 Industrial: -40°C~+85°C
- ◆ Compliant with SFP MSA Specification
- ◆ Compliant with Digital Diagnostic Monitor Interface



Applications

- ◆ SONET OC-3 / SDH STM-1
- ◆ WDM Fast Ethernet Links
- ◆ Other Optical Links

Ordering information

Part No.	Data Rate	Wavelength	Interface	Temp.	DDMI
EOLS-BI1603-40-CL ^{*(note1)}	100M~155Mbps	1310nm	SC	Standard	NO
EOLS-BI1603-40-LC ^{*(note1)}	100M~155Mbps	1490nm	SC	Standard	NO
EOLS-BI1603-40-CLI	100M~155Mbps	1310nm	SC	Industrial	NO
EOLS-BI1603-40-LCI	100M~155Mbps	1490nm	SC	Industrial	NO
EOLS-BI1603-40-CLD	100M~155Mbps	1310nm	SC	Standard	YES

EOLS-BI1603-40-LCD	s				
	100M~155Mbps	1490nm	SC	Standard	YES
EOLS-BI1603-40-CLDI EOLS-BI1603-40-LCDI	100M~155Mbps	1310nm	SC	Industrial	YES
	s				
EOLS-BI1603-40-CLL ^{*(note1)} EOLS-BI1603-40-LCL ^{*(note1)}	100M~155Mbps	1310nm	LC	Standard	NO
	s				
EOLS-BI1603-40-CLIL EOLS-BI1603-40-LCIL	100M~155Mbps	1310nm	LC	Industrial	NO
	s				
EOLS-BI1603-40-CLDL EOLS-BI1603-40-LCDL	100M~155Mbps	1310nm	LC	Standard	YES
	s				
EOLS-BI1603-40-CLDIL EOLS-BI1603-40-LCDIL	100M~155Mbps	1310nm	LC	Industrial	YES
	s				

Note1: Standard version

Regulatory Compliance

Product Certificate	Certificate Number	Applicable Standard
TUV	R50135086	EN 60950-1:2006+A11+A1+A12
		EN 60825-1:2007
		EN 60825-2:2004+A1+A2
UL	E317337	UL 60950-1
		CSA C22.2 No. 60950-1-07
EMC CE	AE 50135430 0001	EN 55022:2006
		EN 55024:1998+A1+A2
CB	JPTUV-024038-M1	IEC 60825-2
		IEC 60950-1
FCC	WTF13F0503735E	47 CFR PART 15 OCT., 2010
	WTF13F0503732E	47 CFR PART 15 OCT., 2010
FDA	1230816-000	CDRH 1040.10
ROHS	RLSZF00163462	2011/65/EU

Product Description

The EOLS-BI1X03-40 series is small form factor pluggable module for IEEE 802.3ah 100BASE-BX20 and OC-3/STM-1 SONET/SDH single fiber applications by using 1310 nm/1490nm transmitter and 1550 nm/1310nm receiver. It is with the SFP 20-pin connector to allow

hot plug capability.

The transmitter section uses a multiple quantum well A type / B type laser and is a class 1 laser compliant according to International Safety Standard IEC 60825. The receiver section uses an integrated B type/ A type detector preamplifier (IDP) mounted in an optical header and a limiting post-amplifier IC.

The EOLS-BI1X03-40-D series are designed to be compliant with SFF-8472 Multi-source Agreement (MSA).

Absolute Maximum Ratings

Parameter	Symbol	Min.	Max.	Unit
Storage Temperature	Ts	-40	+85	°C
Supply Voltage	Vcc	-0.5	3.6	V
Operating Relative Humidity		-	95	%

*Exceeding any one of these values may destroy the device immediately.

Recommended Operating Conditions

Parameter	Symbol	Min.	Typical	Max.	Unit
Operating Case Temperature	Tc	EOLS-1X03-40	0	+70	°C
		EOLS-1X03-40-I	-40	+85	
Power Supply Voltage	Vcc	3.15	3.3	3.45	V
Power Supply Current	Icc			300	mA
Data Rate	OC-3		155		Mbps
	100M		100		Mbps

Performance Specifications - Electrical

Parameter	Symbol	Min.	Typ.	Max	Unit	Notes
Transmitter						
LVPECL Inputs(Differential)	Vin	400		2000	mVpp	AC coupled inputs*(Note4)
Input Impedance (Differential)	Zin	85	100	115	ohms	Rin > 100 kohms @ DC
TX_Dis	Disable	2		Vcc+0.3	V	
	Enable	0		0.8		
TX_FAULT	Fault	2		Vcc+0.3	V	
	Normal	0		0.5		
Receiver						
LVPECL Outputs	Vout	400		2000	mVpp	AC coupled

(Differential)						outputs ^{*(Note4)}
Output Impedance (Differential)		Zout	85	100	115	ohms
RX_LOS	LOS		2		V _{CC} +0.3	V
	Normal		0		0.8	V
MOD_DEF (0:2)		VoH	2.5			V
		VoL	0		0.5	V

Optical and Electrical Characteristics

(EOLS-BI1603-40-CL, 1310nmFP and PIN, 40km)

Parameter	Symbol	Min.	Typical	Max.	Unit
9μm Core Diameter SMF	L		40		km
Data Rate			155		Mbps
Transmitter					
Center Wavelength	λ_C	1260	1310	1360	nm
Spectral Width (RMS)	$\Delta\lambda$			4	nm
Average Output Power ^{*(Note2)}	P _{out}	-5		0	dBm
Extinction Ratio ^{*(Note3)}	ER	8.2			dB
Rise/Fall Time(20%~80%)	tr/tf			2	ns
Output Optical Eye ^{*(Note3)}	IUT-T G.957 Compliant ^{*(Note6)}				
TX_Disable Assert Time	t _{off}			10	μs
P _{out} @TX Disable Asserted	P _{out}			-45	dBm
Receiver					
Center Wavelength	λ_C	1460	1490	1520	nm
Receiver Sensitivity ^{*(Note5)}	OC-3	P _{min}		-33	dBm
	100M			-34	dBm
Receiver Overload	P _{max}	-8			dBm
LOS De-Assert	LOSD			-35	dBm
LOS Assert	LOSA	-45			dBm
LOS Hysteresis ^{*(Note7)}		0.5			dB

(EOLS-BI1603-40-LC, 1490nm DFB and PIN, 40km)

Parameter	Symbol	Min.	Typical	Max.	Unit
50μm Core Diameter SMF	L		40		km
Data Rate			155		Mbps
Transmitter					
Center Wavelength	λ_C	1470	1490	1510	nm

Spectral Width (-20dB)	$\Delta\lambda$			1	nm
Side Mode Suppression Ratio SMSR		30	-	-	dB
Average Output Power*(Note2)	P _{out}	-8		-3	dBm
Extinction Ratio*(Note3)	ER	8.2			dB
Rise/Fall Time(20%~80%)	tr/tf			2	ns
Output Optical Eye*(Note3)	IUT-T G.957 Compliant*(Note6)				
TX_Disable Assert Time	t _{off}			10	□us
P _{out} @TX Disable Asserted	P _{out}			-45	dBm
Receiver					
Center Wavelength	λ_c	1260	1310	1360	nm
Receiver Sensitivity*(Note5)	OC-3	P _{min}		-33	dBm
	100M			-34	dBm
Receiver Overload	P _{max}	-8			dBm
LOS De-Assert	LOSD			-35	dBm
LOS Assert	LOSA	-45			dBm
LOS Hysteresis*(Note7)		0.5			dB

Note2: Output power is power coupled into a 9/125μm single-mode fiber.

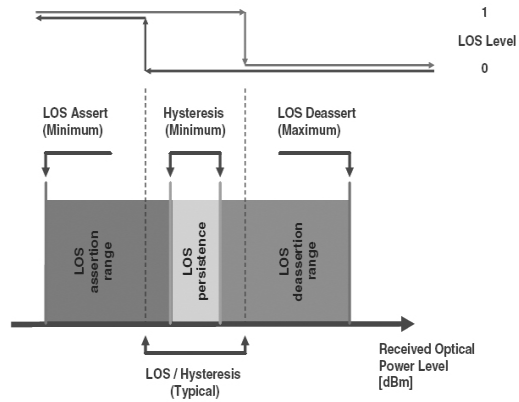
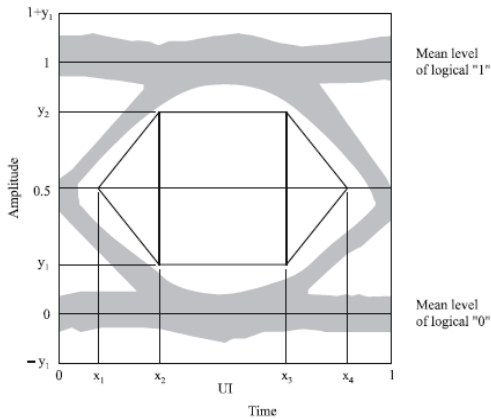
Note3: Filtered, measured with a PRBS 2²³-1 test pattern @155Mbps

Note4: LVPECL logic, internally AC coupled.

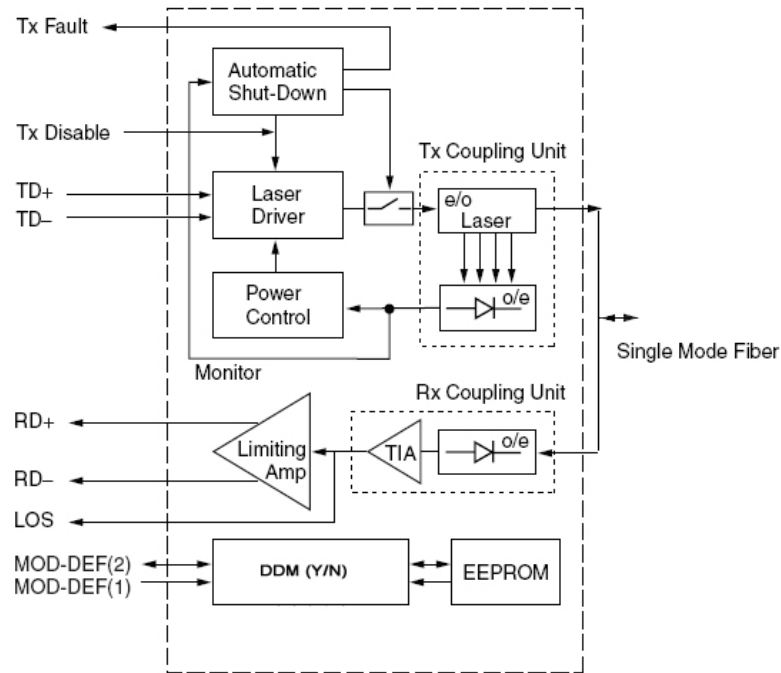
Note5: Minimum average optical power at which the BER is less than 1E-10 or lower. Measured with a 2²³-1 NRZ PRBS and ER=9 dB.

Note6: Eye Pattern Mask

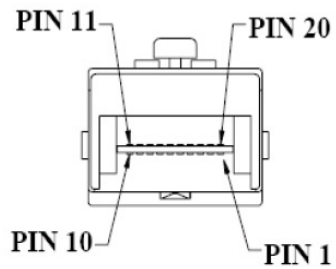
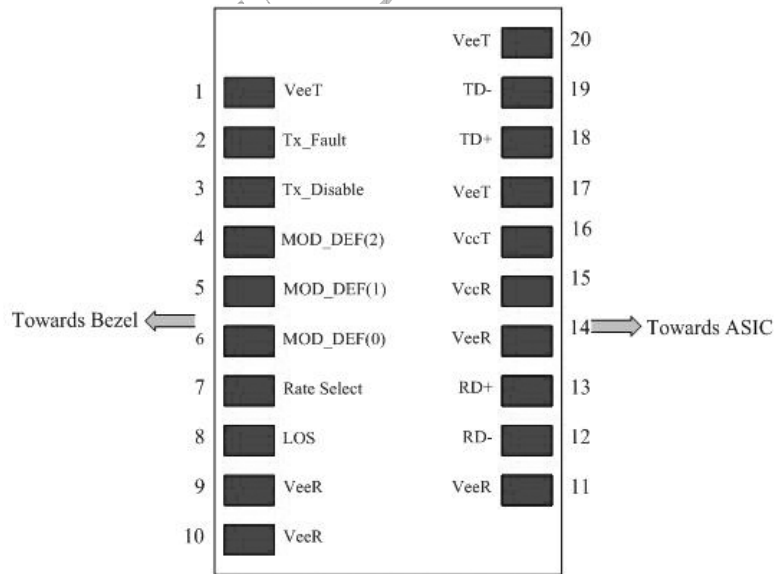
Note7: LOS Hysteresis



Functional Description of Transceiver



SFP Transceiver Electrical Pad Layout



Pin Function Definitions

Pin Num.	Name	Function	Plug Seq.	Notes
1	VeeT	Transmitter Ground	1	
2	TX Fault	Transmitter Fault Indication	3	1)
3	TX Disable	Transmitter Disable	3	2) Module disables on high or open
4	MOD-DEF2	Module Definition 2	3	3) Data line for Serial ID.
5	MOD-DEF1	Module Definition 1	3	3) Clock line for Serial ID.
6	MOD-DEF0	Module Definition 0	3	3) Grounded within the module.
7	Rate Select	Not Connect	3	Function not available
8	LOS	Loss of Signal	3	4)
9	VeeR	Receiver Ground	1	5)
10	VeeR	Receiver Ground	1	5)
11	VeeR	Receiver Ground	1	5)
12	RD-	Inv. Received Data Out	3	6)
13	RD+	Received Data Out	3	6)
14	VeeR	Receiver Ground	1	5)
15	VccR	Receiver Power	2	7) 3.3 ± 5%
16	VccT	Transmitter Power	2	7) 3.3 ± 5%
17	VeeT	Transmitter Ground	1	5)
18	TD+	Transmit Data In	3	8)
19	TD-	Inv. Transmit Data In	3	8)
20	VeeT	Transmitter Ground	1	5)

Notes:

1) TX Fault is an open collector/drain output, which should be pulled up with a 4.7K – 10KΩ resistor on the host board. Pull up voltage between 2.0V and VccT, R+0.3V. When high, output indicates a laser fault of some kind. Low indicates normal operation. In the low state, the output will be pulled to < 0.8V.

2) TX disable is an input that is used to shut down the transmitter optical output. It is pulled up within the module with a 4.7 – 10 KΩ resistor. Its states are:

Low (0 – 0.8V): Transmitter on

(>0.8, < 2.0V): Undefined

High (2.0 – 3.465V): Transmitter Disabled

Open: Transmitter Disabled

3) Mod-Def 0,1,2. These are the module definition pins. They should be pulled up with a 4.7K – 10K Ω resistor on the host board. The pull-up voltage shall be VccT or VccR .

Mod-Def 0 is grounded by the module to indicate that the module is present

Mod-Def 1 is the clock line of two wire serial interface for serial ID

Mod-Def 2 is the data line of two wire serial interface for serial ID

4) LOS (Loss of Signal) is an open collector/drain output, which should be pulled up with a 4.7K – 10KΩ resistor. Pull up voltage between 2.0V and VccT, R+0.3V. When high, this output indicates the received optical power is below the worst-case receiver sensitivity (as defined by the standard in use). Low indicates normal operation. In the low state, the output will be pulled to < 0.8V.

5) VeeR and VeeT may be internally connected within the SFP module.

6) RD-/+ : These are the differential receiver outputs. They are AC coupled 100Ω differential lines which should be terminated with 100Ω (differential) at the user SERDES. The AC coupling is done inside the module and is thus not required on the host board. The voltage swing on these lines will be between 400 and 2000 mV differential (200 – 1000mV single ended) when properly terminated.

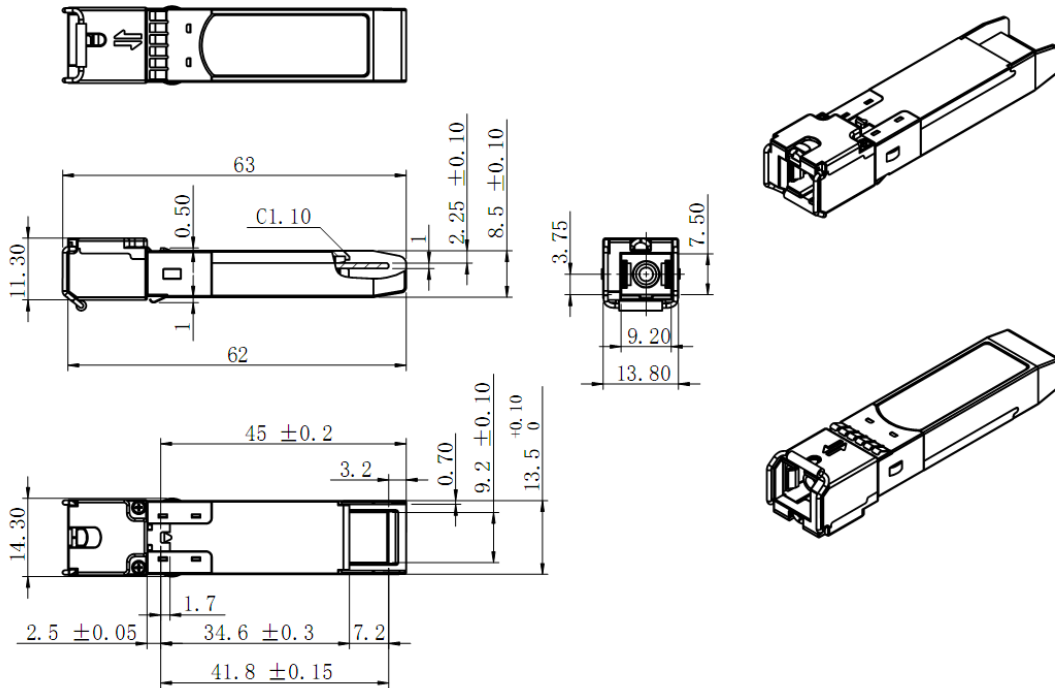
7) VccR and VccT are the receiver and transmitter power supplies. They are defined as 3.3V ±5% at the SFP connector pin. Maximum supply current is 300mA. Recommended host board power supply filtering is shown below. Inductors with DC resistance of less than 1 ohm should be used in order to maintain the required voltage at the SFP input pin with 3.3V supply voltage. When the recommended supply-filtering network is used, hot plugging of the SFP transceiver module will result in an inrush current of no more than 30mA greater than the steady state value. VccR and VccT may be internally connected within the SFP transceiver module.

8) TD-/+ : These are the differential transmitter inputs. They are AC-coupled, differential lines with 100Ω differential termination inside the module. The AC coupling is done inside the module and is thus not required on the host board. The inputs will accept differential swings of 400 – 2000mV (200 – 1000mV single-ended).

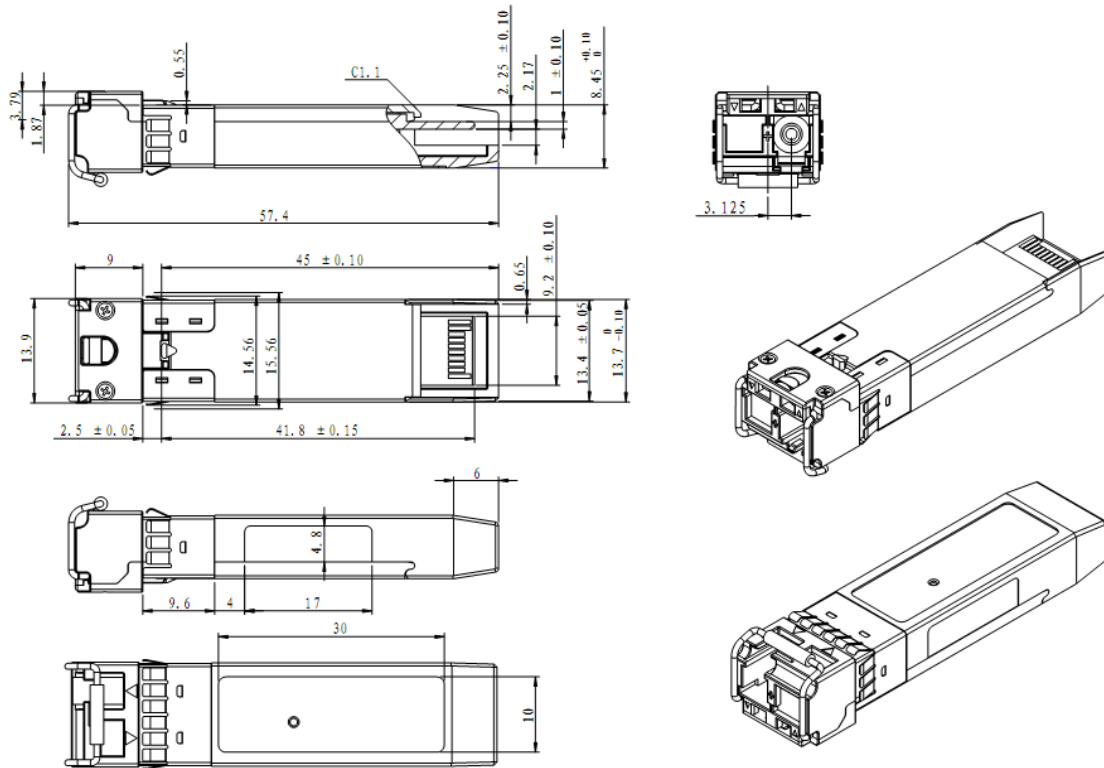
EEPROM

The serial interface uses the 2-wire serial CMOS EEPROM protocol defined for the ATMEL AT24C02/04 family of components. When the serial protocol is activated, the host generates the serial clock signal (SCL). The positive edge clocks data into those segments of the EEPROM that are not write protected within the SFP transceiver. The negative edge clocks data from the SFP transceiver. The serial data signal (SDA) is bi-directional for serial data transfer. The host uses SDA in conjunction with SCL to mark the start and end of serial protocol activation. The memories are organized as a series of 8-bit data words that can be addressed individually or sequentially.

The Module provides diagnostic information about the present operating conditions. The transceiver generates this diagnostic data by digitization of internal analog signals. Calibration and alarm/warning threshold data is written during device manufacture. Received power monitoring, transmitted power monitoring, bias current monitoring, supply voltage monitoring and temperature monitoring all are implemented. If the module is defined as external calibrated, the diagnostic data are raw A/D values and must be converted to real world units using calibration constants stored in EEPROM locations 56 – 95 at wire serial bus address A2H. The digital diagnostic memory map specific data field define as following .For detail EEPROM information, please refer to the related document of SFF 8472 Rev 9.3.



SC

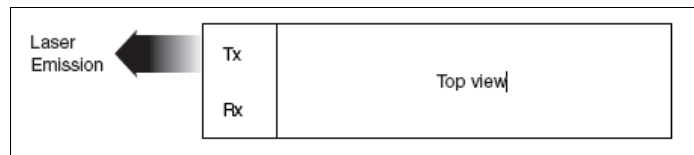


LC

Laser Emission Data

Wavelength	1310nm
Total output power (as defined by FDA: 7mm aperture at 20cm distance)	<0.195mW
Total output power (as defined by IEC: 7mm aperture at 10cm distance)	<15.6mW
Beam divergence	12.5°
Wavelength	1490nm
Total output power (as defined by FDA: 7mm aperture at 20cm distance)	<0.79mW
Total output power (as defined by IEC: 7mm aperture at 10cm distance)	<10mW
Beam divergence	12.5°

Laser Emission



Obtaining Document

You can visit our website:

<http://www.eoptolink.com>

Or contact Eoptolink Technology Inc., Ltd. Listed at the end of the documentation to get the latest document.

Revision History

Revision	Initiated	Reviewed	Approved	Revision History	Release Date
V1.a	Arvin	Lyn/Jason/ Walt/Nygai	Phlio	Released.	Jan 21, 2014

Notice:

Eoptolink reserves the right to make changes to or discontinue any optical link product or service identified in this publication, without notice, in order to improve design and/or performance. Applications that are described herein for any of the optical link products are for illustrative purposes only. Eoptolink makes no representation or warranty that such applications will be suitable for the specified use without further testing or modification.

Contact:

Add: Floor 5, Building 2, No. 21 Gaopeng Avenue, High-Tech District, CHENGDU, SICHUAN
610041 P.R. CHINA

Tel: (+86) 028-85122709 ext 816 & 809

Fax: (+86) 028-85121912

Postal: 610041

E-mail: sales@eoptolink.com

<http://www.eoptolink.com>