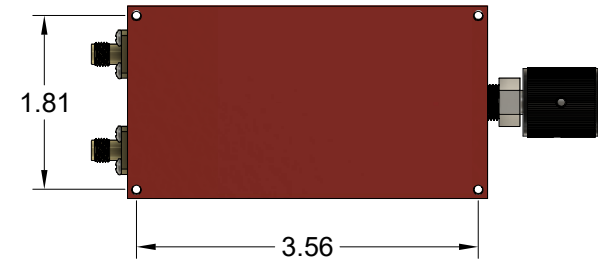
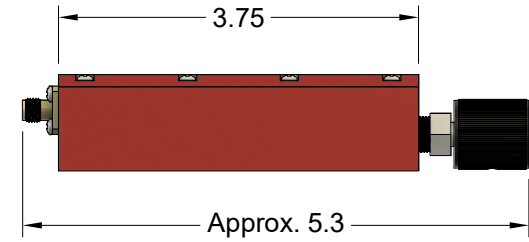
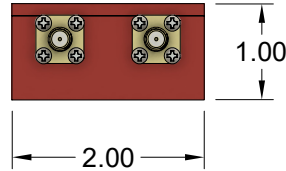
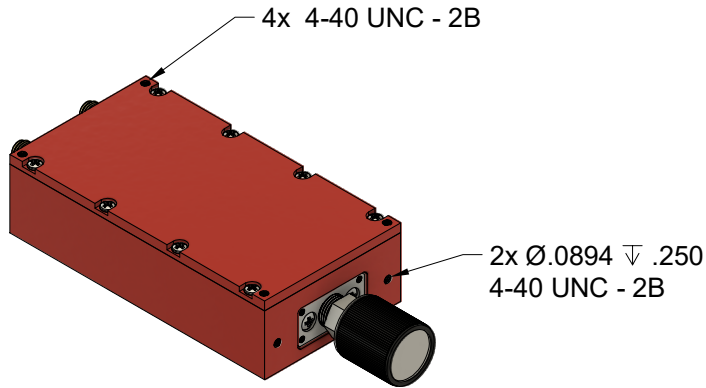




REVISION HISTORY

REV	DESCRIPTION	DATE	APPROVED
A	INITIAL RELEASE	12/1/2022	DA

3.75" MANUAL ADJUSTABLE PHASESHIFTER



30° PHASE SHIFTERS

Model #	Freq. (GHz)	Min. Phase Adjust	I.L. (dB max.)	VSWR max
P37503-ITI	DC-2.3	0-30°/GHz	0.5	1.5
P37504-ITI	DC-4.3	0-30°/GHz	0.5	1.5
P37505-ITI	DC-8.2	0-30°/GHz	0.6	1.5
P37506-ITI	DC-12.7	0-30°/GHz	0.7	1.5
P37507-ITI	DC-18.6	0-30°/GHz	1.0	1.6
P37508-ITI	DC-26.5	0-30°/GHz	1.5	2.0
P37508-360-ITI	18.0-26.5	0-360°	1.5	1.8
P37509-360-ITI(*)	18.0-40.0	0-360°	2.5	2.0

General Specifications

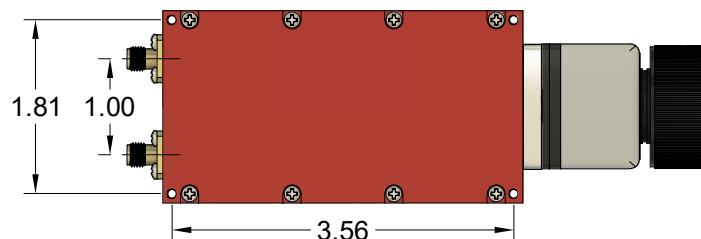
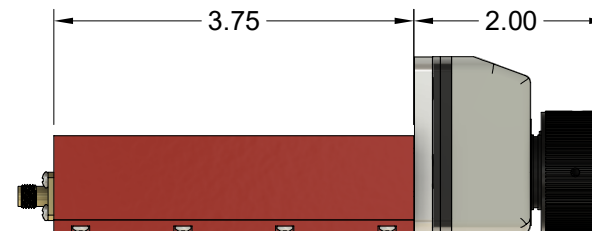
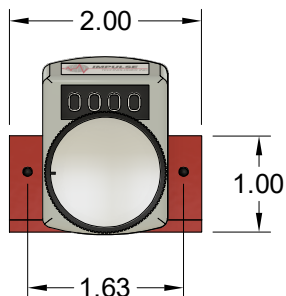
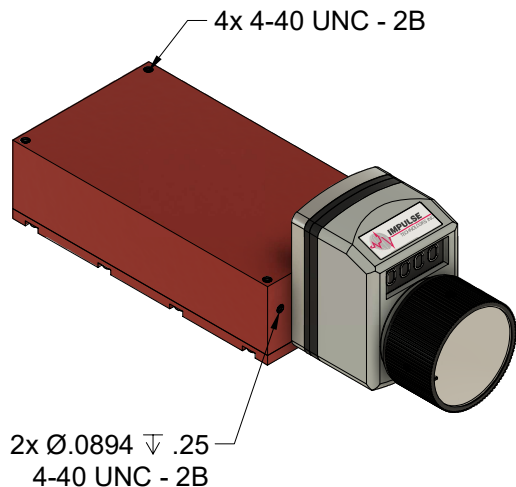
Electrical	Mechanical
RF Power: 100W avg., 3kW peak	Size: 3.75" x 2.0" x 1.0"
RF Connectors: SMA F / 2.9mm F(*)	Body: Aluminum
Min. Adj. Phase Shift: 0 to 30°/GHz	Control: ¼" dia. multi-turn shaft
Insertion Phase @ 1GHz: 240° (min. setting)	Finish: Urethane Paint Finish, Color Red

THIRD ANGLE PROJECTION:	APPROVALS	DATE	<p>DRAWING 3.75" PHASESHIFTER, OUTLINE</p>		
UNLESS OTHERWISE NOTED, DIMENSIONS ARE IN INCHES, TOLERANCES ARE: FRACTIONS: ±1/64 ANGLES: ±1/2° MACHINED FINISH: 63 OR BETTER	DRAWN Dirk Aubram	12/1/22			SIZE 6CDA9
	CHCKD.				DRAWING# OTL3.75PHS-ITI
	APRVD.				MODEL#
DECIMALS	FINISH		SCALE 1:2	REVISION A	
2 PLACE ±.01				SHEET 1/1	
3 PLACE ±.003					



REVISION HISTORY

REV	DESCRIPTION	DATE	APPROVED
A	INITIAL RELEASE	12/6/2022	DA



30° PHASE SHIFTERS

Model #	Freq. (GHz)	Min. Phase Adjust	I.L. (dB max.)	VSWR max
P37503D-ITI	DC-2.3	0-30°/GHz	0.5	1.5
P37504D-ITI	DC-4.3	0-30°/GHz	0.5	1.5
P37505D-ITI	DC-8.2	0-30°/GHz	0.6	1.5
P37506D-ITI	DC-12.7	0-30°/GHz	0.7	1.5
P37507D-ITI	DC-18.6	0-30°/GHz	1.0	1.6
P37508D-ITI	DC-26.5	0-30°/GHz	1.5	2.0
P37508D-360-ITI	18.0-26.5	0-360°	1.5	1.8
P37509D-360-ITI(*)	18.0-40.0	0-360°	2.5	2.0

General Specifications

Electrical	Mechanical
RF Power: 100W avg., 3kW peak	Size: 3.75" x 2.0" x 1.0"
RF Connectors: SMA F / 2.9mm F(*)	Body: Aluminum
Min. Adj. Phase Shift: 0 to 30°/GHz	Control: ¼" dia. multi-turn shaft
Insertion Phase @ 1GHz: 240° (min. setting)	Finish: Urethane Paint Finish, Color Red

THIRD ANGLE PROJECTION:

UNLESS OTHERWISE NOTED, DIMENSIONS ARE IN INCHES, TOLERANCES ARE:

FRACTIONS: ±1/64 ANGLES: ±1/2° MACHINED FINISH: 63 OR BETTER

DECIMALS	
2 PLACE	3 PLACE
±.01	±.003

APPROVALS	DATE
DRAWN: Dirk Aubram	12/6/22
CHCKD.	
APRVD.	
MATERIAL	
TREATMENT	
FINISH	

DRAWING

3.75" PHASESHIFTER W/DIAL, OUTLINE

SIZE	CAGE CODE	IT	DRAWING#	REVISION
6	CDA9		OTL375PHSD-ITI	A
SCALE	MODEL#		SEE TABLE	SHEET 1/1