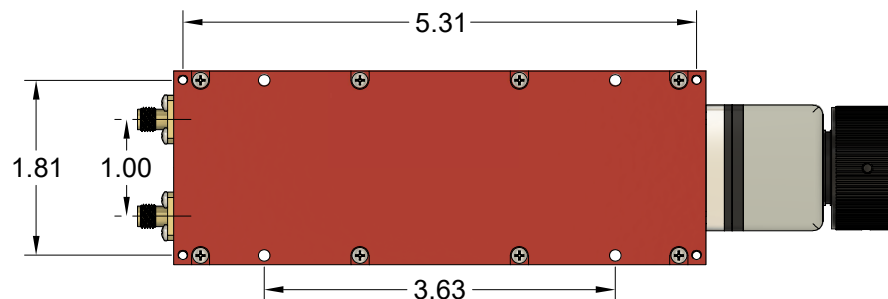
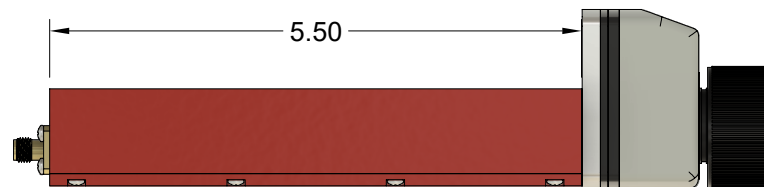
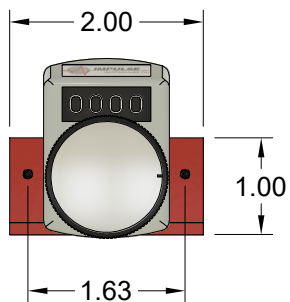
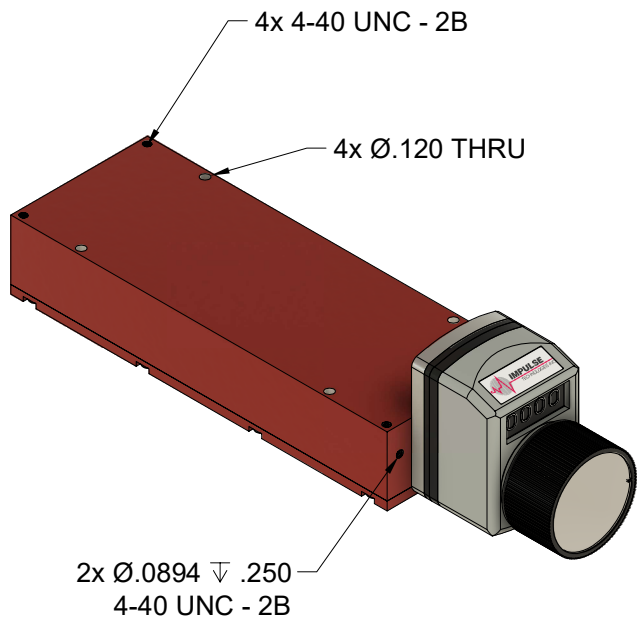


REVISION HISTORY

REV	DESCRIPTION	DATE	APPROVED
A	INITIAL RELEASE	12/6/2022	DA
B	CORRECTED VARIOUS SPECIFICATIONS	12/13/2023	DA

**5.50" MANUAL ADJUSTABLE PHASESHIFTER W/ DIAL**



**60° PHASE SHIFTERS**

Model #	Freq. (GHz)	Min. Phase Adjust	I.L. (dB max.)	VSWR max
P55003D-ITI	DC-2.3	0-60°/GHz	0.5	1.5
P55004D-ITI	DC-4.3	0-60°/GHz	0.5	1.5
P55005D-ITI	DC-8.2	0-60°/GHz	0.6	1.5
P55006D-ITI	DC-12.7	0-60°/GHz	0.7	1.5
P55007D-ITI	DC-18.6	0-60°/GHz	1.0	1.6
P55008D-ITI	DC-26.5	0-60°/GHz	1.5	2.0

**General Specifications**

Electrical	Mechanical
<b>RF Power:</b> 100W avg., 3kW peak	<b>Size:</b> 5.5" x 2.0" x 1.0"
<b>RF Connectors:</b> SMA F	<b>Body:</b> Aluminum
<b>Min. Adj. Phase Shift:</b> 0 to 60°/GHz	<b>Control:</b> ¼" dia. multi-turn shaft
<b>Insertion Phase @ 1GHz:</b> 320° (min. setting)	<b>Finish:</b> Urethane Paint Finish, Color Red

THIRD ANGLE PROJECTION:

UNLESS OTHERWISE NOTED, DIMENSIONS ARE IN INCHES, TOLERANCES ARE:

FRACTIONS: ±1/64 ANGLES: ±1/2° MACHINED FINISH: 63 OR BETTER

APPROVALS	DATE
DRAWN: Dirk Aubram	12/6/22
CHCKD:	
APRVD:	
MATERIAL:	
TREATMENT:	
FINISH:	



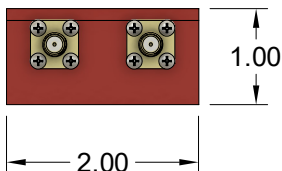
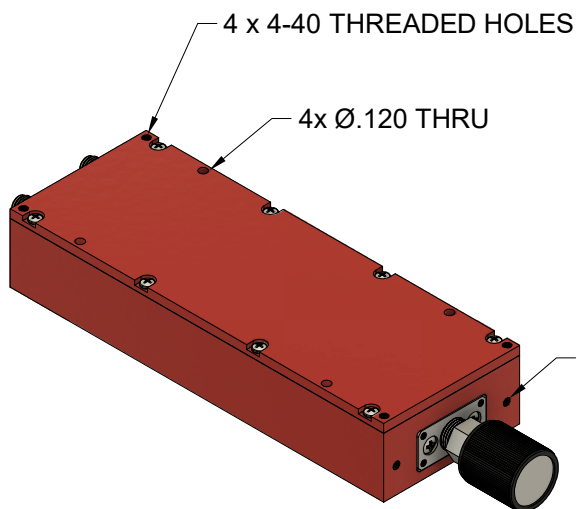
**DRAWING**  
5.5" PHASESHIFTER, DIAL, OUTLINE

DECIMALS	SIZE	CAGE CODE	TTI DRAWING#	REVISION
2 PLACE	6CDA9		OTL5.5PHSD-ITI	B
3 PLACE	SCALE	MODEL#	SEE TABLE	SHEET
±.01	1:2			1/1

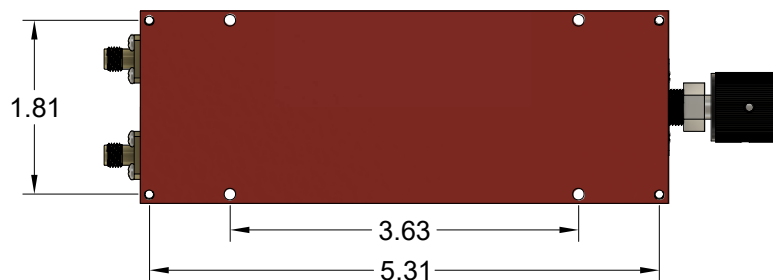
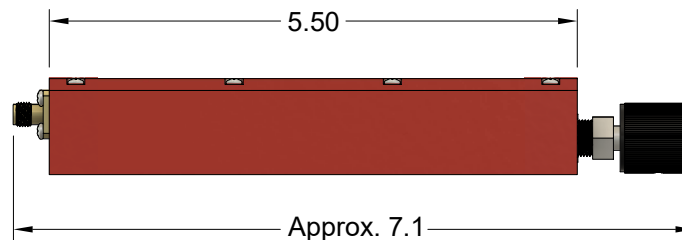
REVISION HISTORY

REV	DESCRIPTION	DATE	APPROVED
A	INITIAL RELEASE	12/1/2022	DA

**5.50" MANUAL ADJUSTABLE PHASESHIFTER**



2x Ø.0894  $\nabla$  .250  
4-40 UNC - 2B



**MANUAL ADJUST 60° PHASE SHIFTERS**

Model #	Freq. (GHz)	Min. Phase Adjust	I.L. (dB max.)	VSWR max
P55003-ITI	DC-2.3	0-60°/GHz	0.5	1.5
P55004-ITI	DC-4.3	0-60°/GHz	0.5	1.5
P55005-ITI	DC-8.2	0-60°/GHz	0.6	1.5
P55006-ITI	DC-12.7	0-60°/GHz	0.7	1.5
P55007-ITI	DC-18.6	0-60°/GHz	1.0	1.6
P55008-ITI	DC-26.5	0-60°/GHz	1.5	2.0

**General Specifications**

Electrical	Mechanical
<b>RF Power:</b> 100W avg., 3kW peak	<b>Size:</b> 5.50" x 2.0" x 1.0"
<b>RF Connectors:</b> SMA F	<b>Body:</b> Aluminum
<b>Min. Adj. Phase Shift:</b> 0 to 60°/GHz	<b>Control:</b> ¼" dia. multi-turn shaft
<b>Insertion Phase @ 1GHz:</b> 320° (min. setting)	<b>Finish:</b> Urethane Paint Finish, Color Red

THIRD ANGLE PROJECTION:	APPROVALS	DATE			
UNLESS OTHERWISE NOTED, DIMENSIONS ARE IN INCHES, TOLERANCES ARE:  FRACTIONS: ±1/64 ANGLES: ±1/2° MACHINED FINISH: 63 OR BETTER	DRAWN Dirk Aubram	12/1/22			<b>DRAWING</b> 5.5" PHASESHIFTER, OUTLINE
	CHCKD.		SIZE	CAGE CODE	
	APRVD.		6CDA9	DRAWING#	OTL5.5PHS-ITI
	MATERIAL		SCALE	MODEL#	REVISION
DECIMALS		1:2		A	
2 PLACE	3 PLACE			SHEET	
±.01	±.003			1/1	