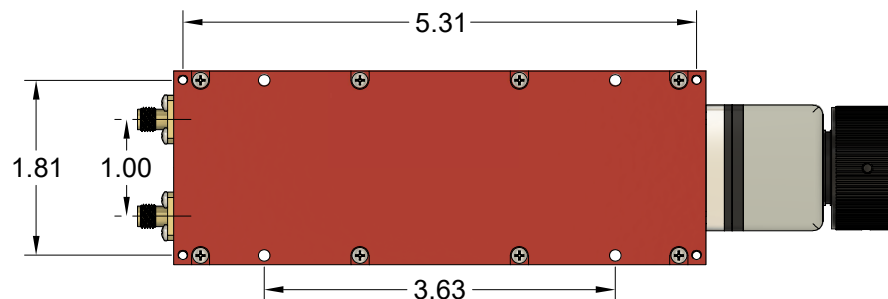
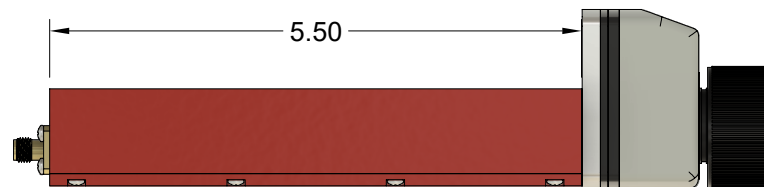
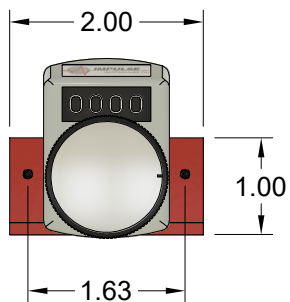
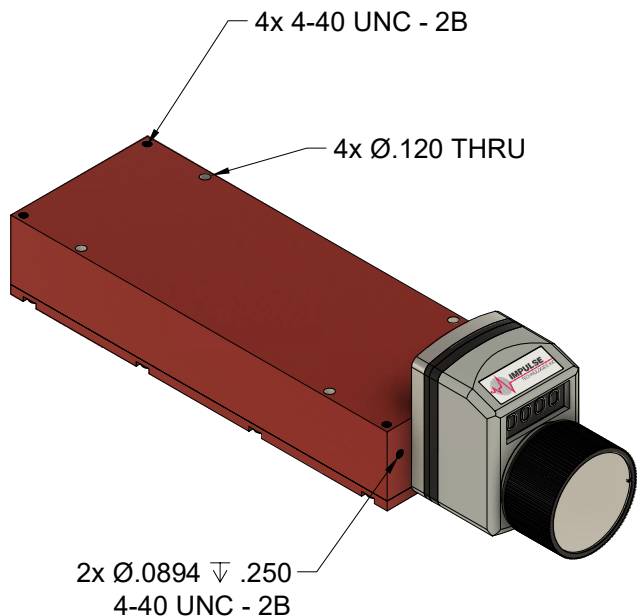


REVISION HISTORY

REV	DESCRIPTION	DATE	APPROVED
A	INITIAL RELEASE	12/6/2022	DA
B	CORRECTED VARIOUS SPECIFICATIONS	12/13/2023	DA

5.50" MANUAL ADJUSTABLE PHASESHIFTER W/ DIAL



60° PHASE SHIFTERS

Model #	Freq. (GHz)	Min. Phase Adjust	I.L. (dB max.)	VSWR max
P55003D-ITI	DC-2.3	0-60°/GHz	0.5	1.5
P55004D-ITI	DC-4.3	0-60°/GHz	0.5	1.5
P55005D-ITI	DC-8.2	0-60°/GHz	0.6	1.5
P55006D-ITI	DC-12.7	0-60°/GHz	0.7	1.5
P55007D-ITI	DC-18.6	0-60°/GHz	1.0	1.6
P55008D-ITI	DC-26.5	0-60°/GHz	1.5	2.0

General Specifications

Electrical	Mechanical
RF Power: 100W avg., 3kW peak	Size: 5.5" x 2.0" x 1.0"
RF Connectors: SMA F	Body: Aluminum
Min. Adj. Phase Shift: 0 to 60°/GHz	Control: ¼" dia. multi-turn shaft
Insertion Phase @ 1GHz: 320° (min. setting)	Finish: Urethane Paint Finish, Color Red

THIRD ANGLE PROJECTION:

UNLESS OTHERWISE NOTED, DIMENSIONS ARE IN INCHES. TOLERANCES ARE:

FRACTIONS: ±1/64 ANGLES: ±1/2° MACHINED FINISH: 63 OR BETTER

DECIMALS	
2 PLACE	3 PLACE
±.01	±.003

APPROVALS	DATE
DRAWN: Dirk Aubram	12/6/22
CHCKD:	
APRVD:	
MATERIAL:	
TREATMENT:	
FINISH:	

DRAWING

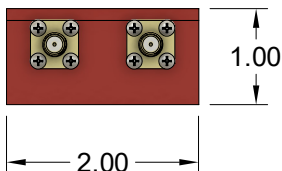
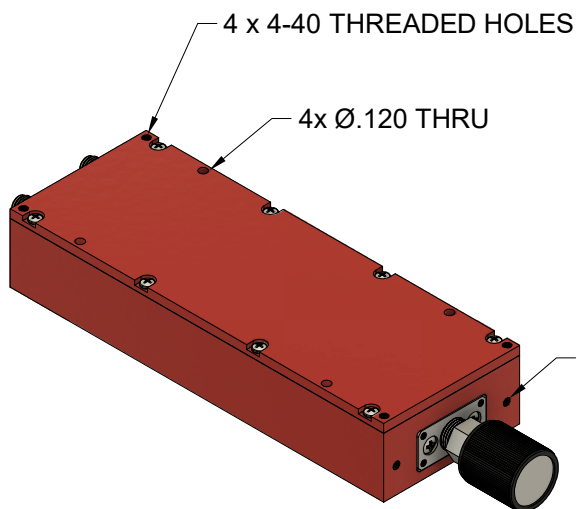
5.5" PHASESHIFTER, DIAL, OUTLINE

SIZE	CAGE CODE	TTI DRAWING#	REVISION
6CDA9		OTL5.5PHSD-ITI	B
SCALE	MODEL#	SHEET	
1:2	SEE TABLE	1/1	

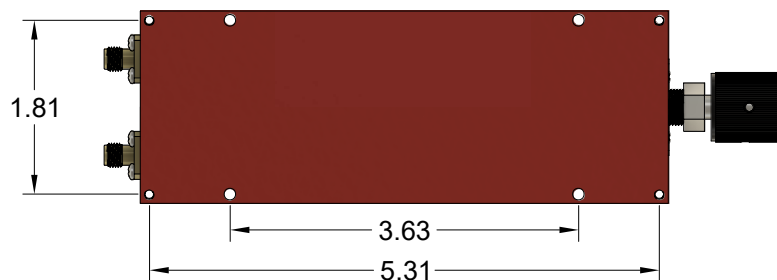
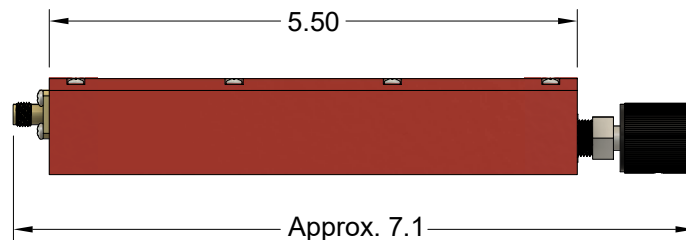
REVISION HISTORY

REV	DESCRIPTION	DATE	APPROVED
A	INITIAL RELEASE	12/1/2022	DA

5.50" MANUAL ADJUSTABLE PHASESHIFTER



2x Ø.0894 ∇ .250
4-40 UNC - 2B



MANUAL ADJUST 60° PHASE SHIFTERS

Model #	Freq. (GHz)	Min. Phase Adjust	I.L. (dB max.)	VSWR max
P55003-ITI	DC-2.3	0-60°/GHz	0.5	1.5
P55004-ITI	DC-4.3	0-60°/GHz	0.5	1.5
P55005-ITI	DC-8.2	0-60°/GHz	0.6	1.5
P55006-ITI	DC-12.7	0-60°/GHz	0.7	1.5
P55007-ITI	DC-18.6	0-60°/GHz	1.0	1.6
P55008-ITI	DC-26.5	0-60°/GHz	1.5	2.0

General Specifications

Electrical	Mechanical
RF Power: 100W avg., 3kW peak	Size: 5.50" x 2.0" x 1.0"
RF Connectors: SMA F	Body: Aluminum
Min. Adj. Phase Shift: 0 to 60°/GHz	Control: ¼" dia. multi-turn shaft
Insertion Phase @ 1GHz: 320° (min. setting)	Finish: Urethane Paint Finish, Color Red

THIRD ANGLE PROJECTION:

UNLESS OTHERWISE NOTED, DIMENSIONS ARE IN INCHES, TOLERANCES ARE:

FRACTIONS: ±1/64 ANGLES: ±1/2°
MACHINED FINISH: 63 OR BETTER

DECIMALS	
2 PLACE	3 PLACE
±.01	±.003

APPROVALS	DATE
DRAWN: Dirk Aubram	12/1/22
CHCKD.	
APRVD.	
MATERIAL	
TREATMENT	
FINISH	

DRAWING
5.5" PHASESHIFTER, OUTLINE

SIZE	CAGE CODE	DRAWING#	REVISION
6CDA9		OTL5.5PHS-ITI	A
SCALE: 1:2	MODEL#		SHEET 1/1