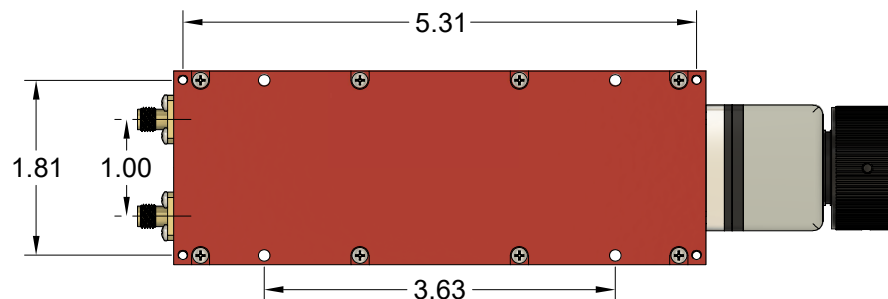
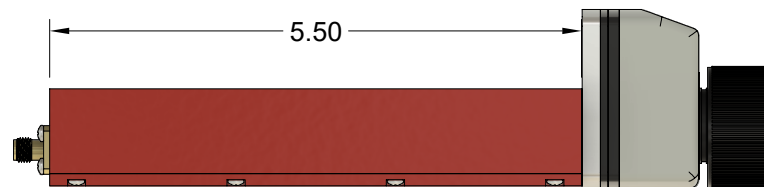
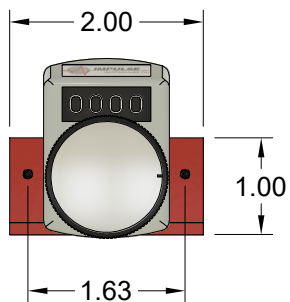
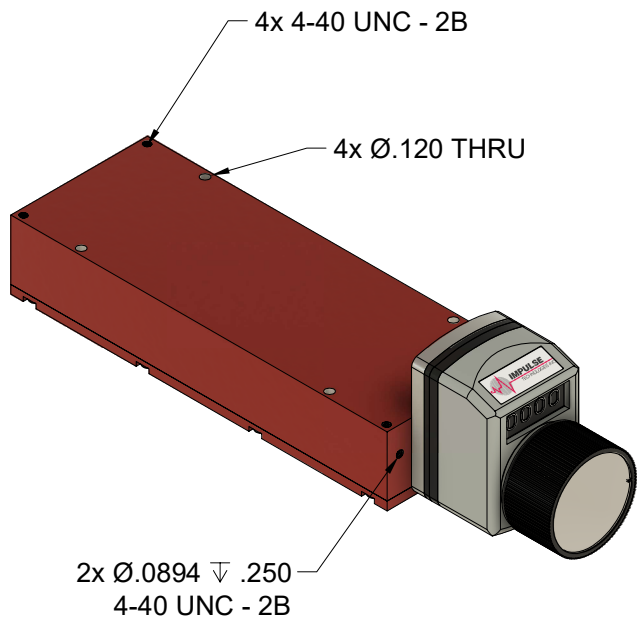


REVISION HISTORY

| REV | DESCRIPTION | DATE | APPROVED |
|-----|----------------------------------|------------|----------|
| A | INITIAL RELEASE | 12/6/2022 | DA |
| B | CORRECTED VARIOUS SPECIFICATIONS | 12/13/2023 | DA |

5.50" MANUAL ADJUSTABLE PHASESHIFTER W/ DIAL



60° PHASE SHIFTERS

| Model # | Freq. (GHz) | Min. Phase Adjust | I.L. (dB max.) | VSWR max |
|-------------|-------------|-------------------|----------------|----------|
| P55003D-ITI | DC-2.3 | 0-60°/GHz | 0.5 | 1.5 |
| P55004D-ITI | DC-4.3 | 0-60°/GHz | 0.5 | 1.5 |
| P55005D-ITI | DC-8.2 | 0-60°/GHz | 0.6 | 1.5 |
| P55006D-ITI | DC-12.7 | 0-60°/GHz | 0.7 | 1.5 |
| P55007D-ITI | DC-18.6 | 0-60°/GHz | 1.0 | 1.6 |
| P55008D-ITI | DC-26.5 | 0-60°/GHz | 1.5 | 2.0 |

General Specifications

| Electrical | Mechanical |
|--|---|
| RF Power: 100W avg., 3kW peak | Size: 5.5" x 2.0" x 1.0" |
| RF Connectors: SMA F | Body: Aluminum |
| Min. Adj. Phase Shift: 0 to 60°/GHz | Control: ¼" dia. multi-turn shaft |
| Insertion Phase @ 1GHz: 320° (min. setting) | Finish: Urethane Paint Finish, Color Red |

THIRD ANGLE PROJECTION:

UNLESS OTHERWISE NOTED, DIMENSIONS ARE IN INCHES. TOLERANCES ARE:

FRACTIONS: ±1/64 ANGLES: ±1/2° MACHINED FINISH: 63 OR BETTER

| APPROVALS | DATE |
|--------------------|---------|
| DRAWN: Dirk Aubram | 12/6/22 |
| CHCKD: | |
| APRVD: | |
| MATERIAL: | |
| TREATMENT: | |
| FINISH: | |



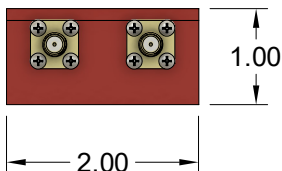
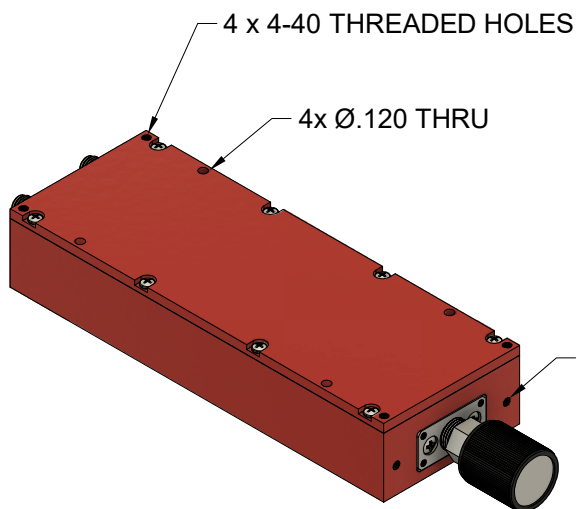
DRAWING
5.5" PHASESHIFTER, DIAL, OUTLINE

| DECIMALS | SIZE | CAGE CODE | TTI DRAWING# | REVISION |
|----------|-------|-----------|----------------|----------|
| 2 PLACE | 6CDA9 | | OTL5.5PHSD-ITI | B |
| 3 PLACE | SCALE | MODEL# | SEE TABLE | SHEET |
| ±.01 | 1:2 | | | 1/1 |
| ±.003 | | | | |

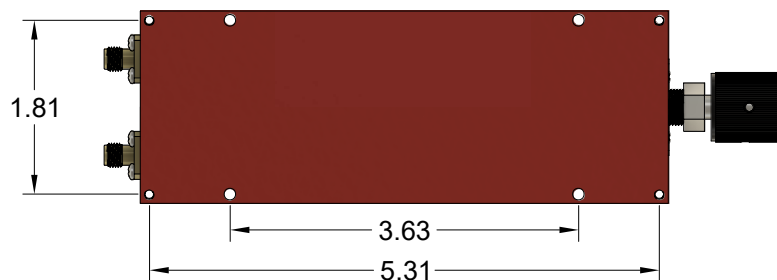
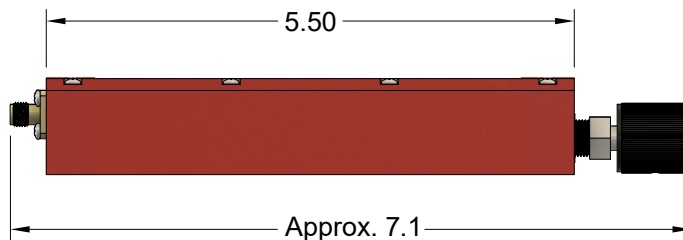
REVISION HISTORY

| REV | DESCRIPTION | DATE | APPROVED |
|-----|-----------------|-----------|----------|
| A | INITIAL RELEASE | 12/1/2022 | DA |

5.50" MANUAL ADJUSTABLE PHASESHIFTER



2x Ø.0894 ∇ .250
4-40 UNC - 2B



MANUAL ADJUST 60° PHASE SHIFTERS

| Model # | Freq. (GHz) | Min. Phase Adjust | I.L. (dB max.) | VSWR max |
|------------|-------------|-------------------|----------------|----------|
| P55003-ITI | DC-2.3 | 0-60°/GHz | 0.5 | 1.5 |
| P55004-ITI | DC-4.3 | 0-60°/GHz | 0.5 | 1.5 |
| P55005-ITI | DC-8.2 | 0-60°/GHz | 0.6 | 1.5 |
| P55006-ITI | DC-12.7 | 0-60°/GHz | 0.7 | 1.5 |
| P55007-ITI | DC-18.6 | 0-60°/GHz | 1.0 | 1.6 |
| P55008-ITI | DC-26.5 | 0-60°/GHz | 1.5 | 2.0 |

General Specifications

| Electrical | Mechanical |
|--|---|
| RF Power: 100W avg., 3kW peak | Size: 5.50" x 2.0" x 1.0" |
| RF Connectors: SMA F | Body: Aluminum |
| Min. Adj. Phase Shift: 0 to 60°/GHz | Control: ¼" dia. multi-turn shaft |
| Insertion Phase @ 1GHz: 320° (min. setting) | Finish: Urethane Paint Finish, Color Red |

THIRD ANGLE PROJECTION:

UNLESS OTHERWISE NOTED, DIMENSIONS ARE IN INCHES, TOLERANCES ARE:

FRACTIONS: ±1/64 ANGLES: ±1/2°
MACHINED FINISH: 63 OR BETTER

| DECIMALS | |
|----------|---------|
| 2 PLACE | 3 PLACE |
| ±.01 | ±.003 |

| APPROVALS | DATE |
|-------------------|---------|
| DRAWN Dirk Aubram | 12/1/22 |
| CHCKD. | |
| APRVD. | |
| MATERIAL | |
| TREATMENT | |
| FINISH | |

DRAWING
5.5" PHASESHIFTER, OUTLINE

| SIZE | CAGE CODE | DRAWING# | REVISION |
|-----------|-----------|---------------|-----------|
| 6CDA9 | | OTL5.5PHS-ITI | A |
| SCALE 1:2 | MODEL# | | SHEET 1/1 |