



Absolute measurement of ultra low gamma-ray activity

BECQUEREL METER

FOR MEASUREMENT OF GAMMA-RAY ACTIVITY
SOLIDS & LIQUIDS CONTAMINATION ANALYSIS

BECQUEREL METER

NEW GENERATION

ESPECIALLY DEVELOPED FOR AN EASY MEASUREMENT OF THE GAMMA ACTIVITY

Can be used for quality controls as well as for measurements of gamma radiation contamination

COMPACT SET-UP

ALLOYS QUICK QUANTIFICATION OF CONTAMINATION

This new generation of Becquerel meter has been especially developed for an **easy** measurement of the gamma activity.

It can be used for quality controls in specialized laboratories as well as for measurements of gamma radiation contamination of food, plants, soil and others liquids or solid products, performed by non specialized persons.

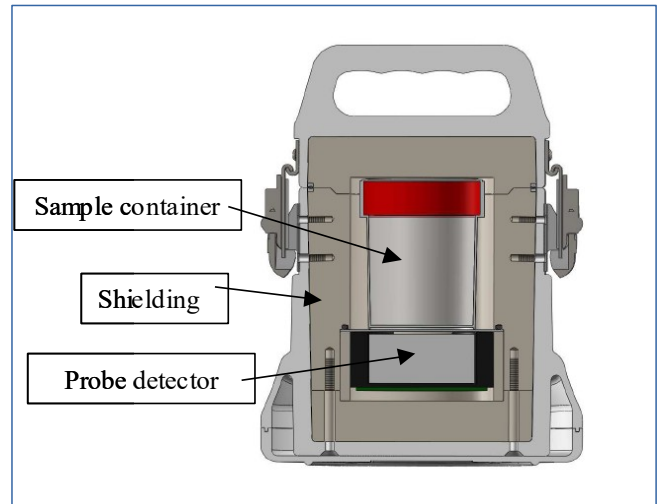
This **compact** set-up incorporates the most advanced design in scintillation counting (scintillator coupled to silicon detector).

It allows **quick** quantification of contamination of different products taking into account natural radioactivity, and optionally allows the identification of the radioactive elements by spectra registration via an USB link connection.

BECQUEREL METER

MAIN CHARACTERISTICS

Dimensions



Condition of use:

from -10 to +50 °C, knowing that calibration was performed at RT (detector performance vary with temperature)

Weight

12 kg

Sample housing

waterproof

Sample support

ordinary plastic recipient of 100 cm³ volume

Measurements

- in Bq/l or Bq/kg,
- total activity, lasting time,
- control and memorization of measurements parameters
- spectra acquisition
- transfer of data to PC

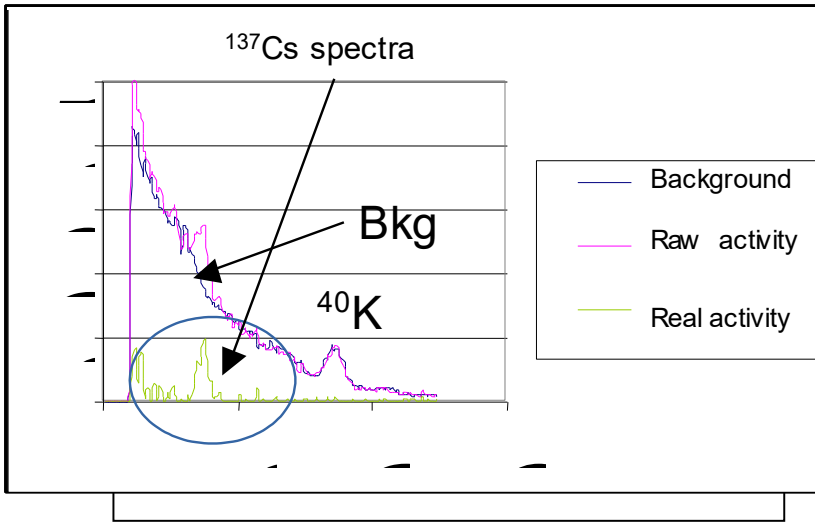
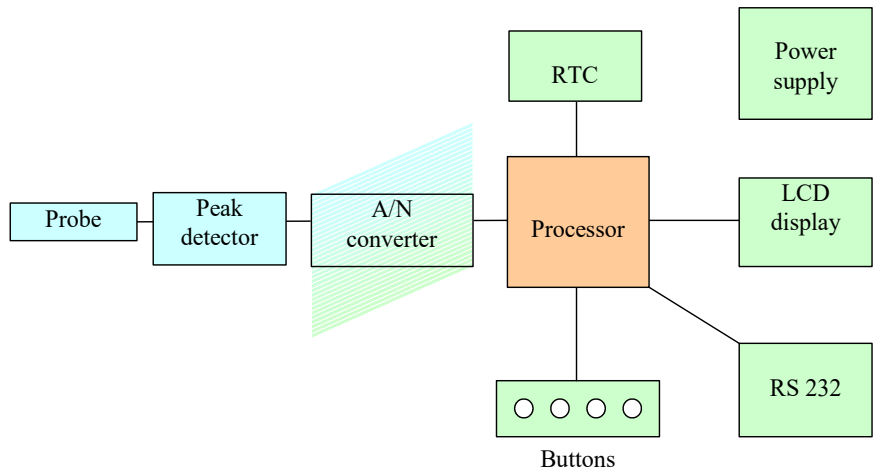


BECQUEREL METER

Some dialog windows



Synoptic scheme of Becquerel meter



Examples of spectra registered with Becquerel meter

Software synoptic

