

KR Electronics

General Description

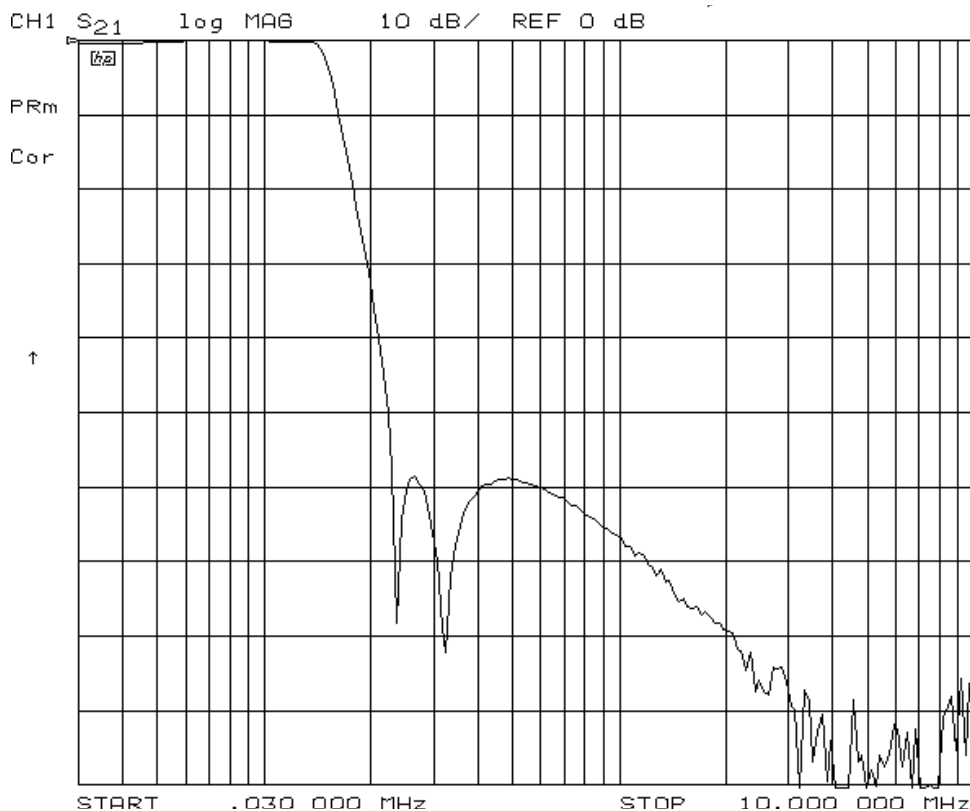
KR 2275-1.5 is a 150 KHz elliptic type lowpass filter. The filter has a 3 dB bandwidth of 150 KHz and greater than 52 dB at 240 KHz. Other passband frequencies are available. Please consult the factory.

Features

- 150 KHz Lowpass
- Sharp Transition to Stopband
- Elliptic Type Response
- SMA Connectors
- 50 Ω Source and Load

Typical Performance

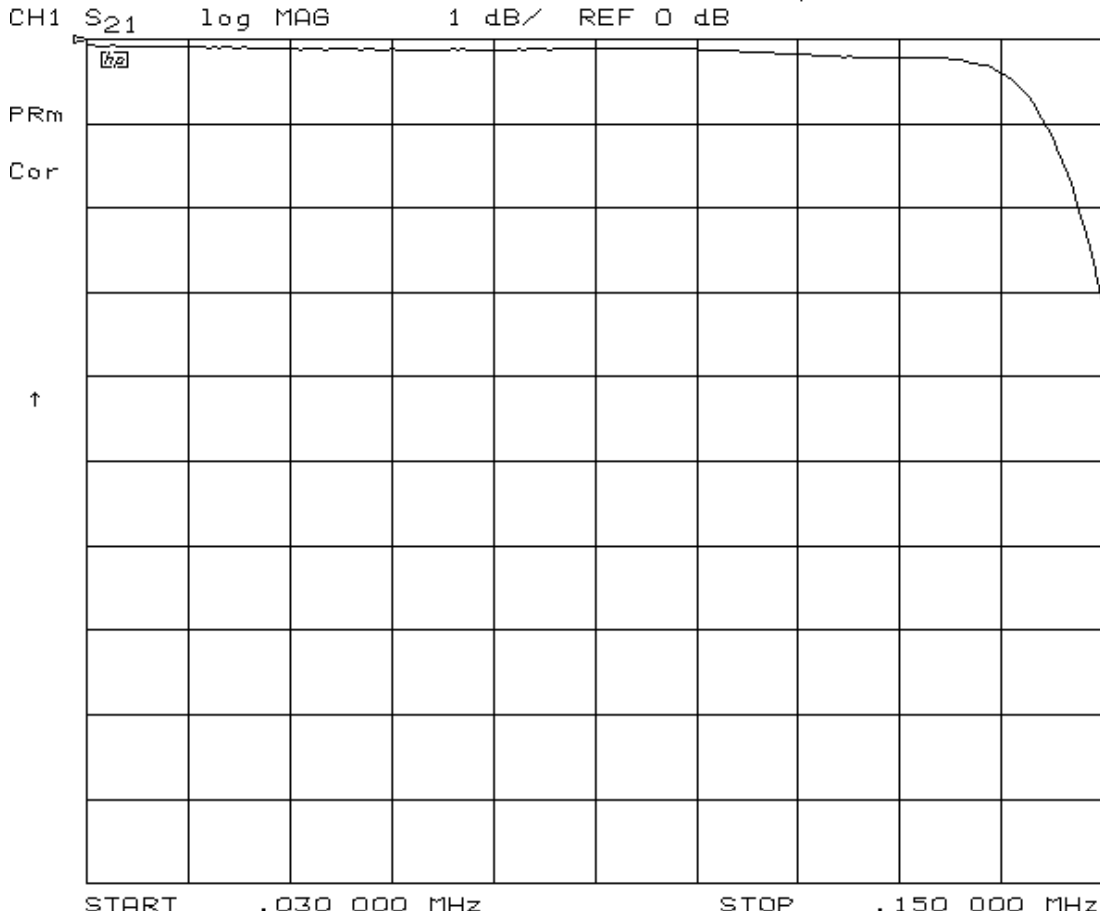
Overall Response
(10 dB/div)



KR Electronics, Inc.
91 Avenel Street
Avenel, NJ 07001

Web www.krfilters.com
Email sales@krfilters.com
Phone (732) 636-1900
Fax (732) 636-1982

Passband Amplitude (1 dB/div)

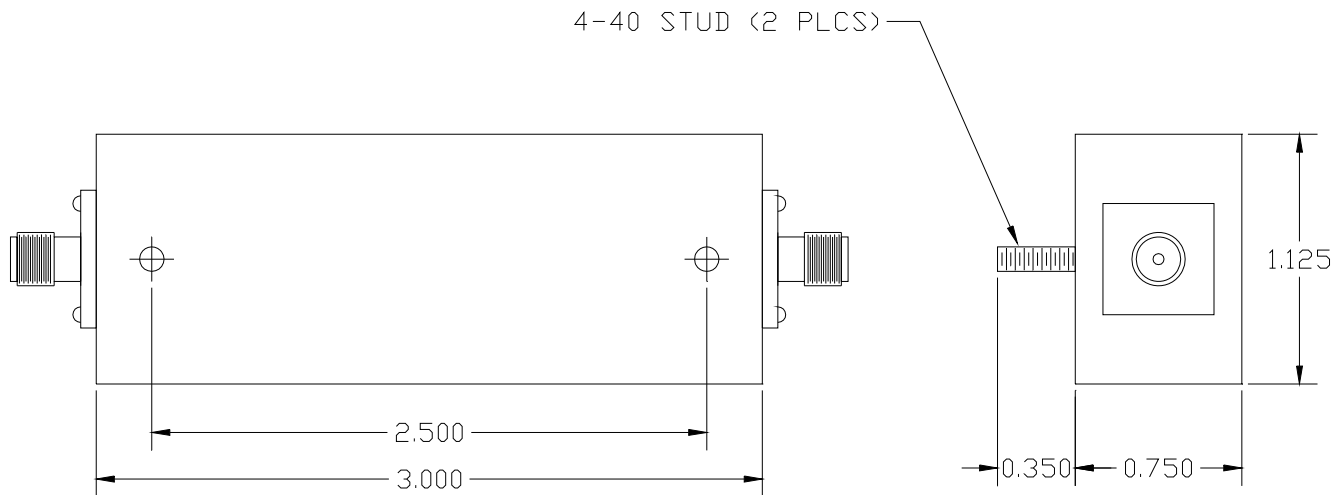


KR Electronics 2275-1.5

Specifications

Parameter	Specification
Filter type	Lowpass
End of Passband (3 dB typical)	150 KHz
Start of Stopband >50 dB	240 KHz
Source and Load	50 Ω

Physical Dimensions



Notes:

1. Dimensions in inches
2. SMA(f) connectors 2 plcs
3. Other Case sizes and configurations available