

General Description

KR Electronics part number 2877-SMA is a 150 MHz bandpass filter. The filter has a maximum 3 dB bandwidth of 80 MHz. Other center frequencies and are bandwidths available. Please consult the factory.

Features

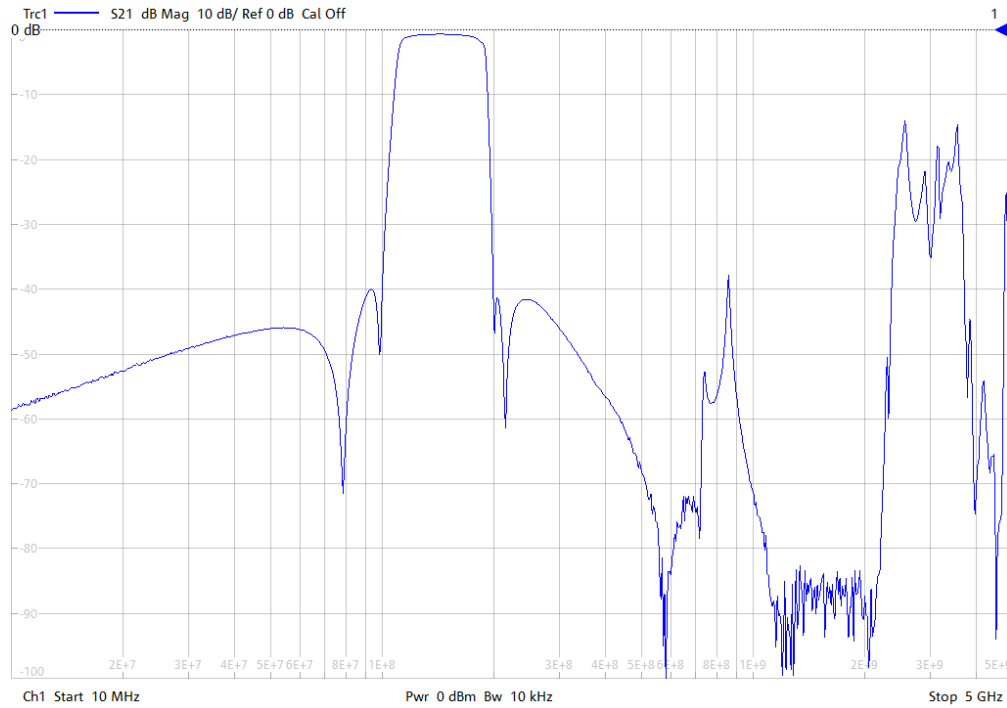
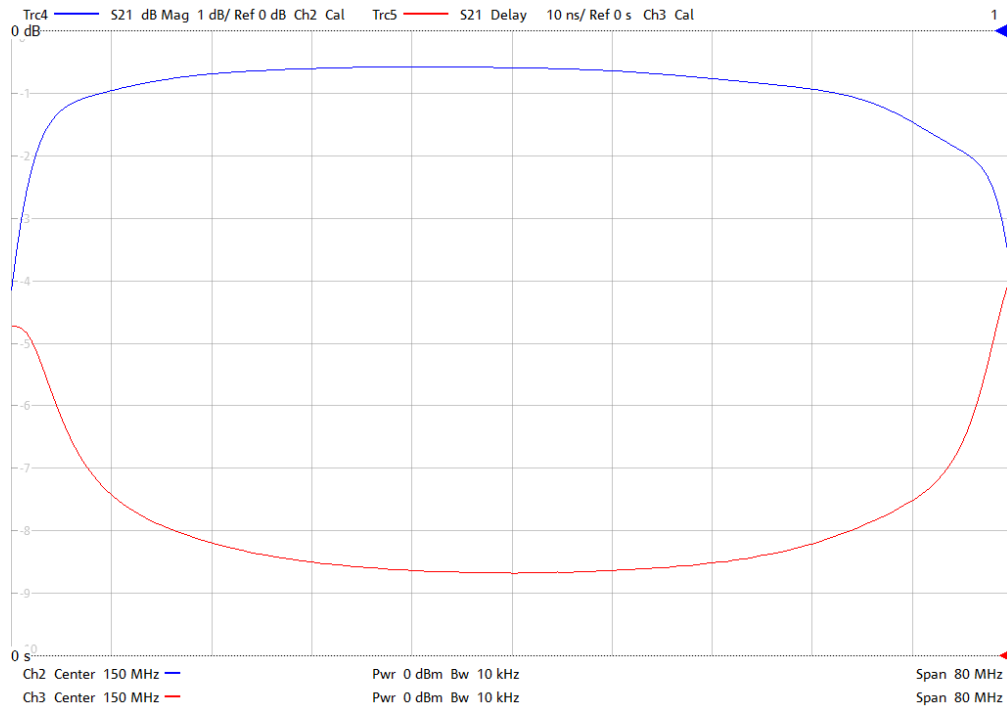
- 150 MHz Bandpass
- 3 dB Bandwidth 80 MHz max
- 30 dB Bandwidth 96 MHz typical
- Highly Selective Elliptic Type Filter
- 50 Ω Source and Load
- SMA Connectors

Typical Performance



KR Electronics, Inc.
91 Avenel Street
Avenel, NJ 07001

Web www.krfilters.com
Email sales@krfilters.com
Phone (732) 636-1900



KR Electronics, Inc.
 91 Avenel Street
 Avenel, NJ 07001

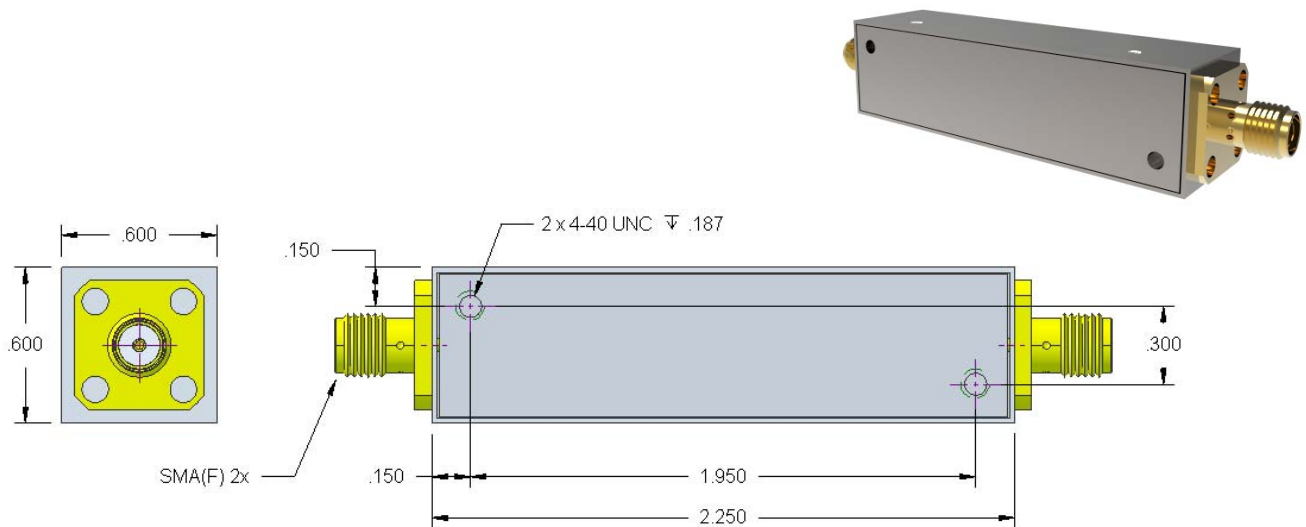
Web www.krfilters.com
 Email sales@krfilters.com
 Phone (732) 636-1900
 Fax (732) 636-1982

KR Electronics 2877-SMA

Specifications

Parameter	Specification	
Filter type	Bandpass	
Center Frequency	150 MHz	
Insertion Loss	2 dB max	0.6 dB typical
1 dB Bandwidth	70 MHz typical	
3 dB Bandwidth	80 MHz max	
20 dB Bandwidth	100 MHz max	91 MHz typical
30 dB Bandwidth	96 MHz typical	
40 dB Bandwidth	100 MHz typical	
Source and Load	50 Ω	

Physical Dimensions



Notes:

1. Dimensions in inches
2. Metal Case
3. SMA(F) Connectors

KR Electronics, Inc.
91 Avenel Street
Avenel, NJ 07001

Web www.krfilters.com
Email sales@krfilters.com
Phone (732) 636-1900
Fax (732) 636-1982