

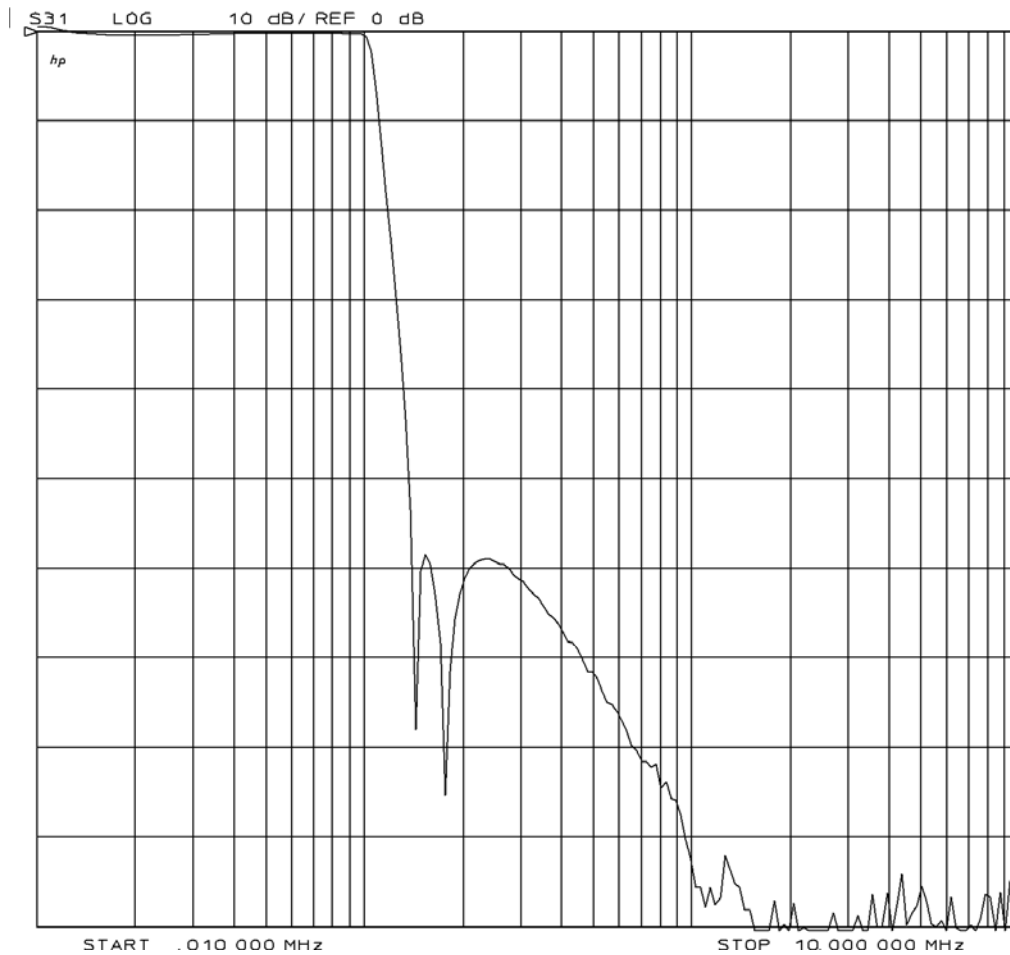
General Description

KR Electronics 2928-SMA is a 100 KHz lowpass filter. The filter has a min 1 dB bandwidth of 100 KHz and is designed for a source and load impedance of 50 Ω . Other passband frequencies are available. Please consult the factory.

Features

- 100 KHz Lowpass Filter
- Sharp Transition to Stopband
- Elliptic Response
- Flat Passband Response
- SMA Connectors
- Other configurations available

Typical Performance

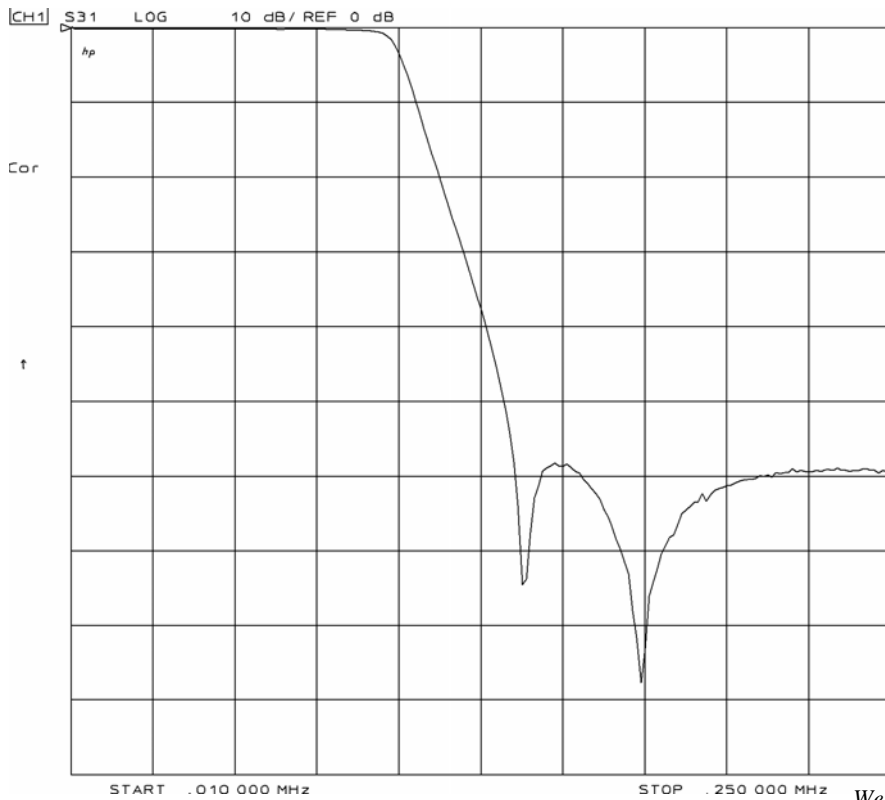
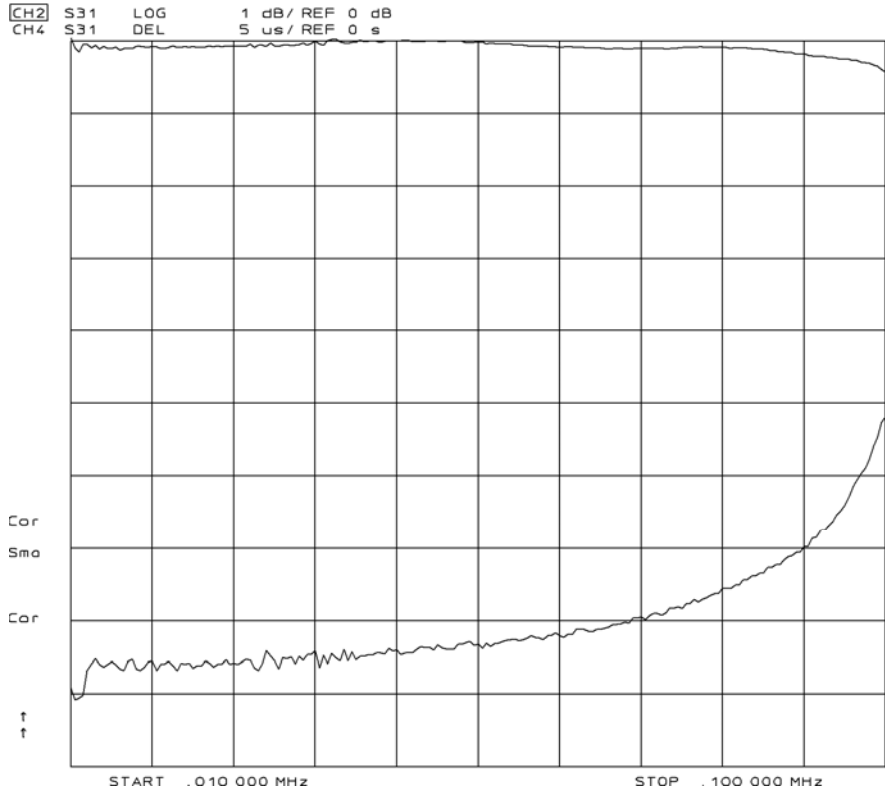


KR Electronics, Inc.
91 Avenel Street
Avenel, NJ 07001

Web www.krfilters.com
Email sales@krfilters.com
Phone (732) 636-1900
Fax (732) 636-1982

KR Electronics 2928-SMA

Typical Performance



KR Electronics, Inc.
91 Avenel Street
Avenel, NJ 07001

Web
Email
Phone
Fax

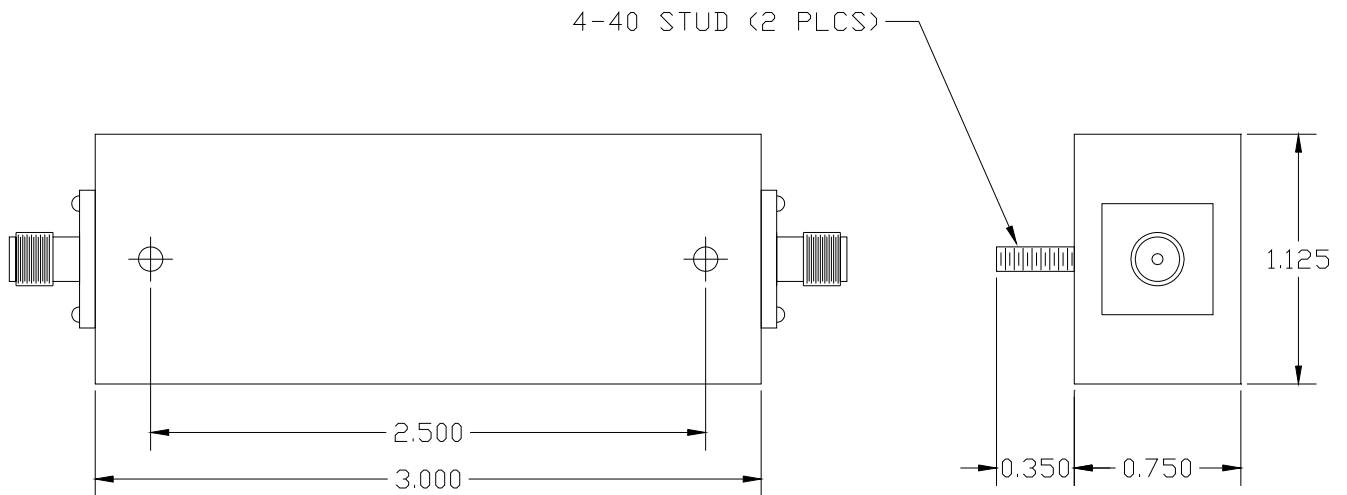
www.krfilters.com
sales@krfilters.com
(732) 636-1900
(732) 636-1982

KR Electronics 2928-SMA

Specifications

| Parameter | Specification | Notes |
|-------------------------|---------------|-----------------|
| Filter type | Lowpass | |
| Insertion Loss at 10 Hz | 1 dB max | <0.1 dB typical |
| Attenuation at 100 KHz | 1 dB max | |
| Attenuation at 140 KHz | 45 dB min | |
| Source and Load | 50 Ω | |
| | | |
| | | |
| | | |
| | | |

Physical Dimensions



Notes:

1. Dimensions in inches
2. SMA(f) connectors 2 plcs