

General Description

KR Electronics part number 3148-SMA is a 20 KHz highpass filter. The filter has attained 55 dB min at 10 KHz. Other frequencies are available. Please consult the factory.

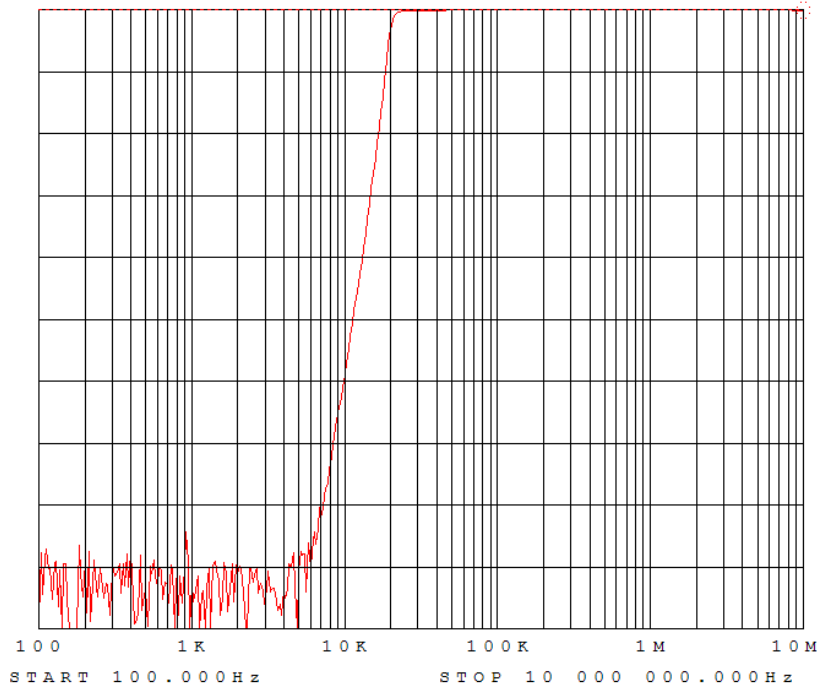
Features

- 20 KHz Highpass Filter
- 55 dB min at 10 KHz
- 50 Ω Source and Load
- SMA Connectors

Typical Performance

Overall Response (10 dB/div)

REF LEVEL /DIV MARKER 10 000 000.000Hz
0.000dB 10.000dB MAG(UDF) -0.077dB



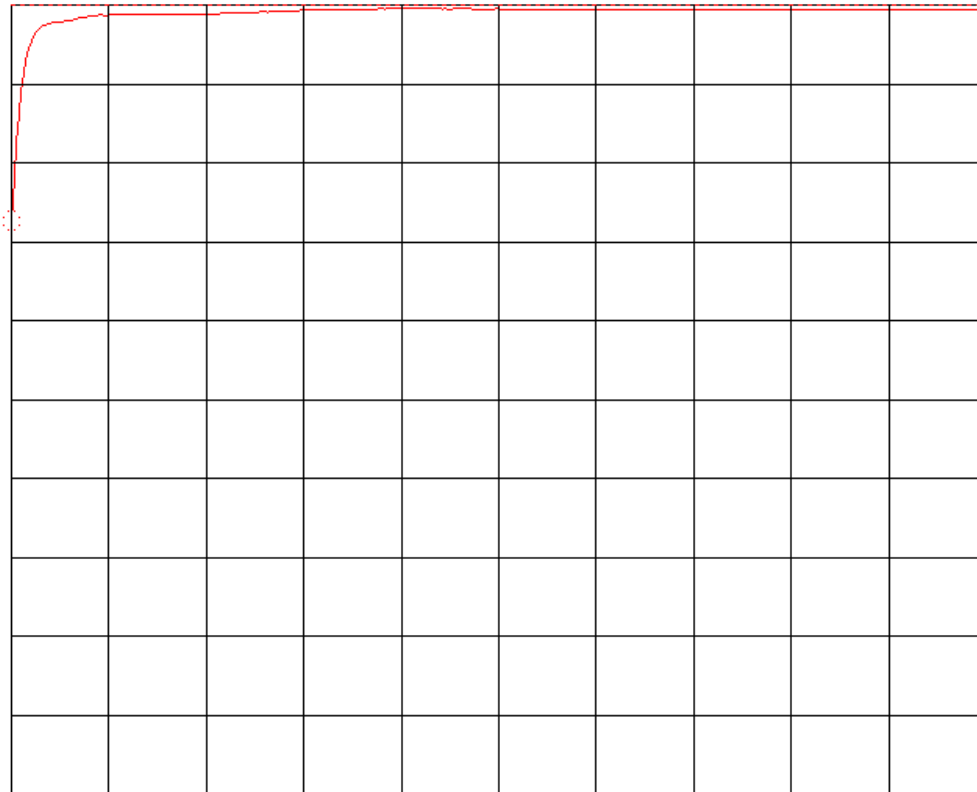
KR Electronics, Inc.
91 Avenel Street
Avenel, NJ 07001

Web www.krfilters.com
Email sales@krfilters.com
Phone (732) 636-1900
Fax (732) 636-1982

KR Electronics 3148-SMA

Passband Amplitude (1 dB/div)

REF LEVEL / DIV MARKER 20 000.000 Hz
0.000 dB 1.000 dB MAG (UDF) -2.736 dB



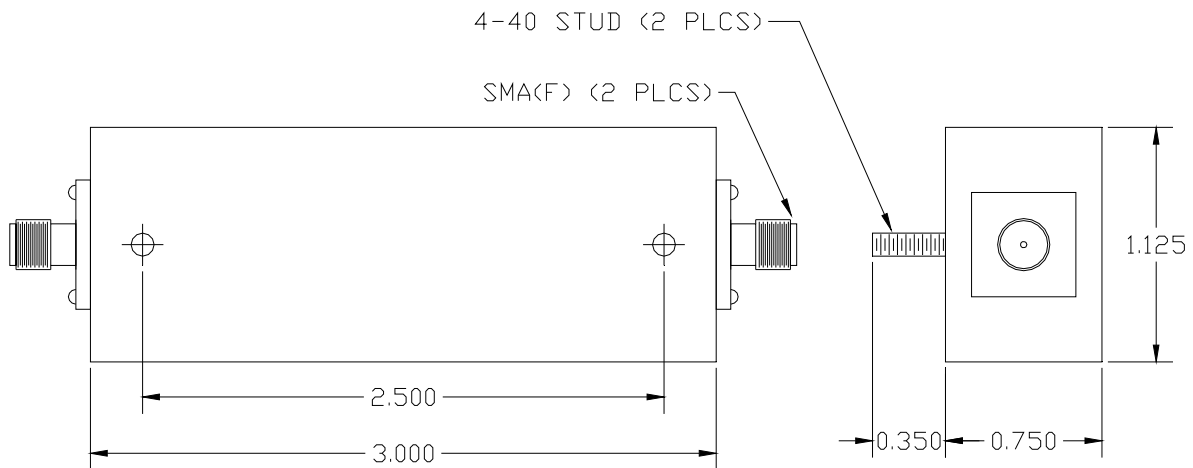
START 20 000.000 Hz STOP 100 000.000 Hz
AMPTD 0.0 dBm

KR Electronics 3148-SMA

Specifications

Parameter	Specification
Filter type	Highpass
DC to 10 KHz	55 dB min
20 KHz	3 dB \pm 1 dB
Passband (< 1 dB)	to 20 MHz min
Source and Load	50 Ω

Physical Dimensions



Notes:

1. Dimensions in inches
2. Rectangular case
3. Other connectors and case configurations available

KR Electronics, Inc.
91 Avenel Street
Avenel, NJ 07001

Web www.krfilters.com
Email sales@krfilters.com
Phone (732) 636-1900
Fax (732) 636-1982