

KR Electronics, Inc.

General Description

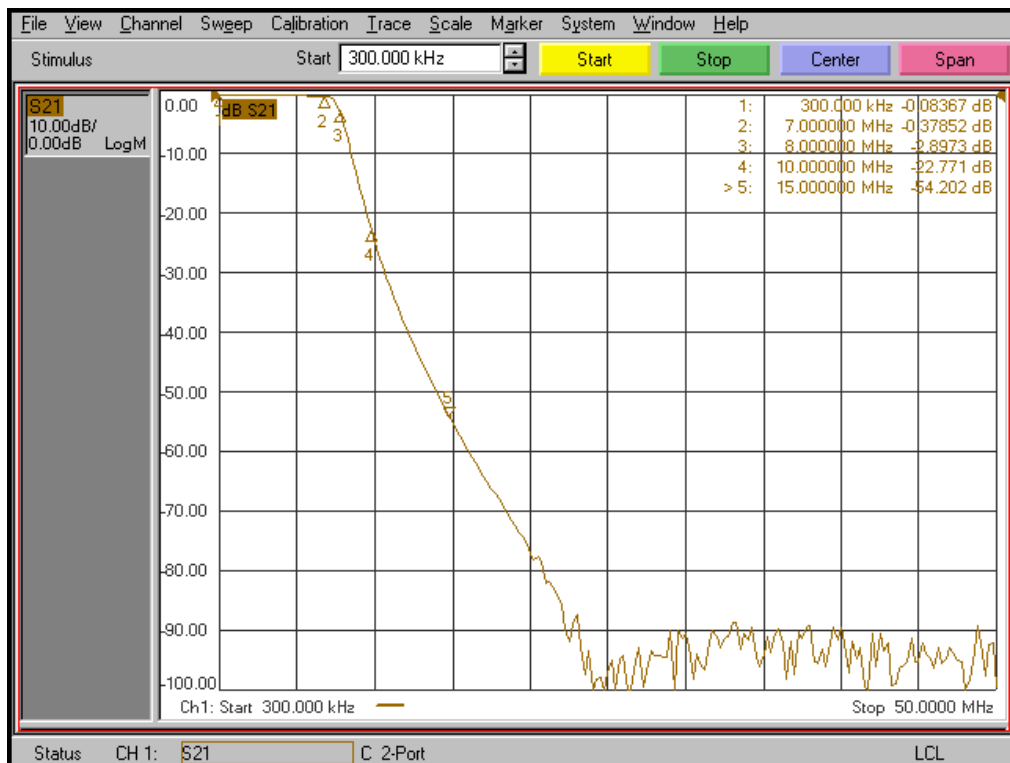
KR Electronics part number 3151 is a 7 MHz lowpass filter. The filter has a typical 3 dB bandwidth of 8 MHz. Other frequencies are available. Please consult the factory.

Features

- 7 MHz Lowpass Filter 1 dB max
- 8 MHz 3 dB typical
- High Stopband Rejection
- 50 Ω Source and Load
- SMA Connectors

Typical Performance

Overall Response
(10 dB/div)

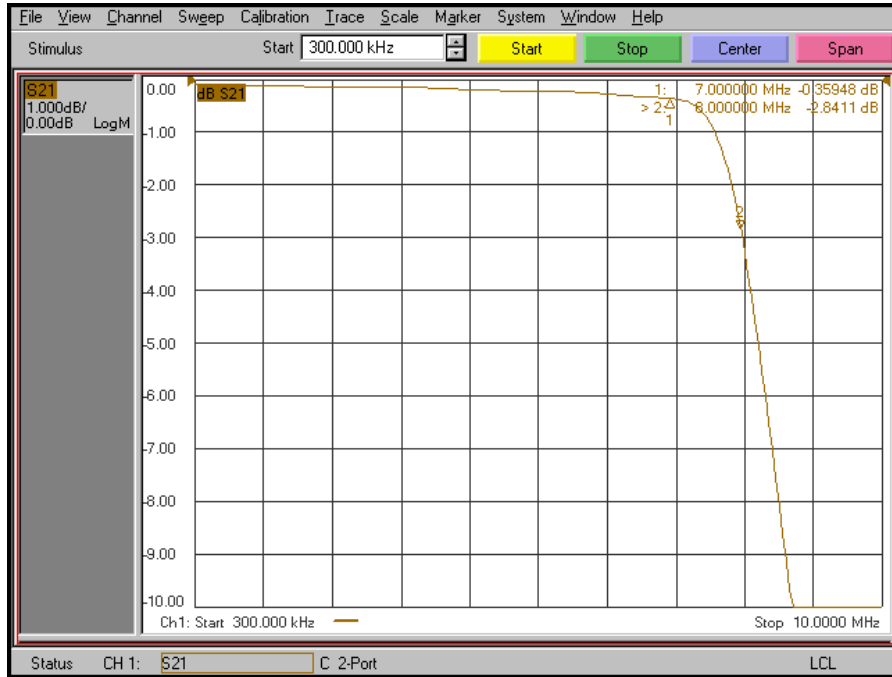


KR Electronics, Inc.
91 Avenel Street
Avenel, NJ 07001

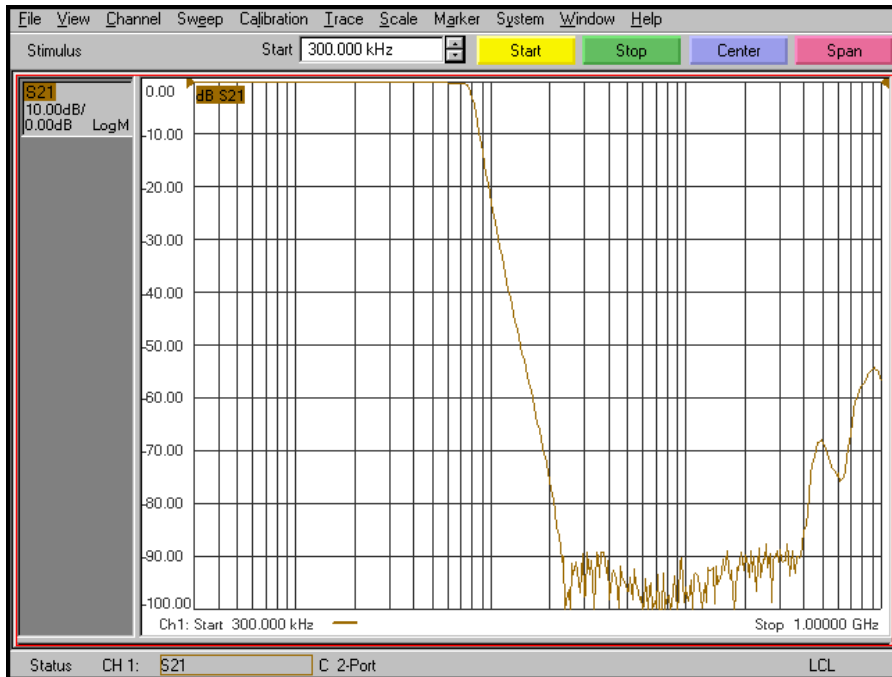
Web www.krfilters.com
Email sales@krfilters.com
Phone (732) 636-1900
Fax (732) 636-1982

KR Electronics 3151

Passband Amplitude (1 dB/div)



Overall Response (10 dB/div)



KR Electronics, Inc.
91 Avenel Street
Avenel, NJ 07001

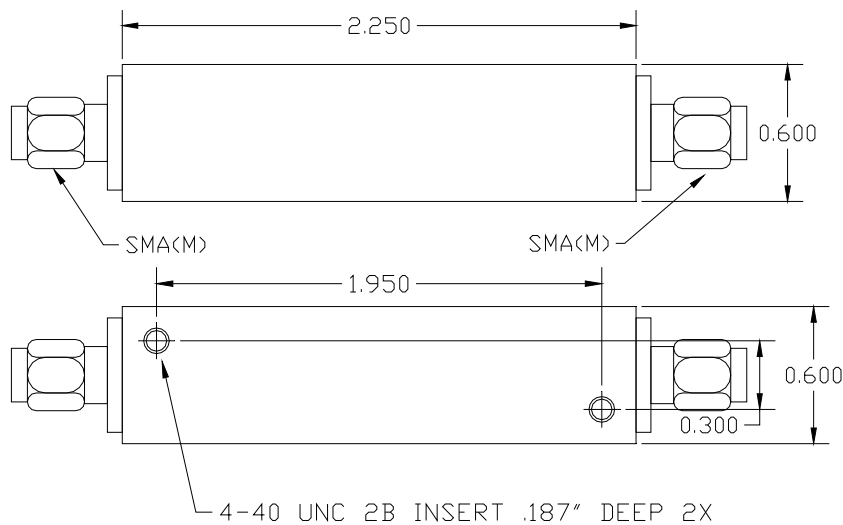
Web www.krfilters.com
Email sales@krfilters.com
Phone (732) 636-1900
Fax (732) 636-1982

KR Electronics 3151

Specifications

| Parameter | Specification | |
|-----------------|---------------|----------------|
| Filter type | Lowpass | |
| DC to 7 MHz | 1 dB max | 0.4 dB typical |
| 8 MHz | 3 dB typical | |
| 10 MHz | 20 dB min | |
| 15 MHz | 50 dB min | |
| Source and Load | 50 Ω | |
| RF Input Power | 0.5 W max | |
| | | |
| | | |

Physical Dimensions



Notes:

1. Dimensions in inches
2. Rectangular case
3. Also available with other connectors and in a surface mount package

KR Electronics, Inc.
91 Avenel Street
Avenel, NJ 07001

Web www.krfilters.com
Email sales@krfilters.com
Phone (732) 636-1900
Fax (732) 636-1982