

KR Electronics, Inc.

General Description

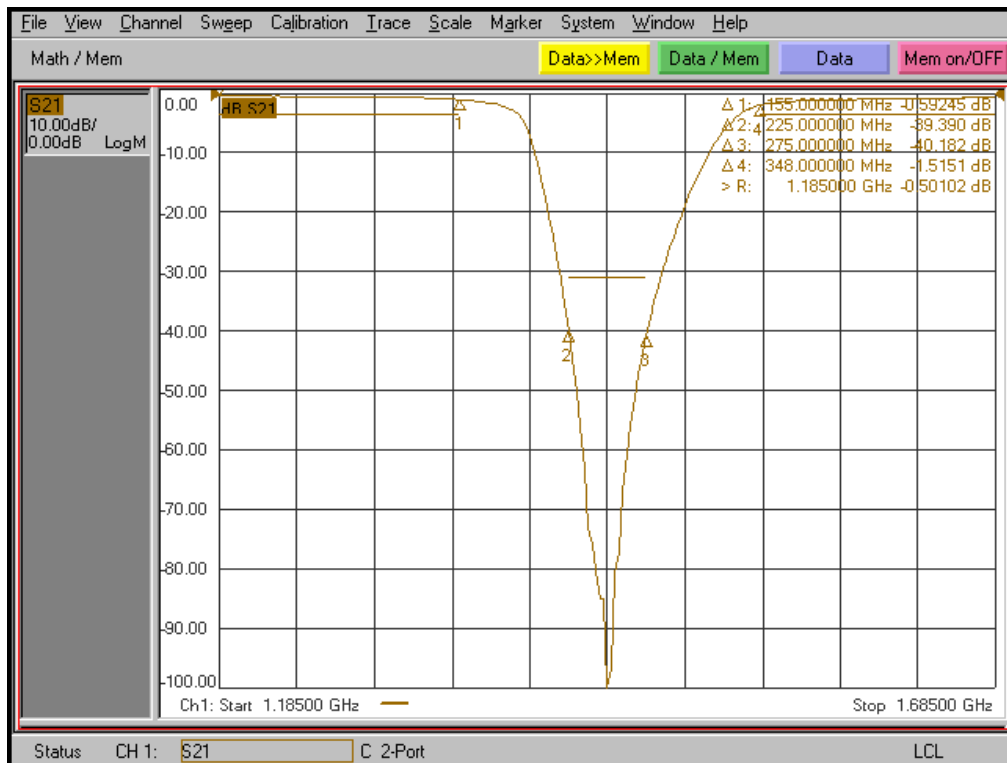
KR Electronics part number 3168-1435 is a 1435 MHz notch filter. The filter has a max 3 dB bandwidth of 193 MHz. Other center frequencies and bandwidths are available. Please consult the factory.

Features

- 1435 MHz Notch Filter
- 193 MHz max 3 dB Bandwidth
- 50 Ω Source and Load
- SMA Connectors

Typical Performance

Overall Response (10 dB/div)



Typical Performance

Notch Response
(10 dB/div)



Overall Response
(1 dB/div)



KR Electronics, Inc.
91 Avenel Street
Avenel, NJ 07001

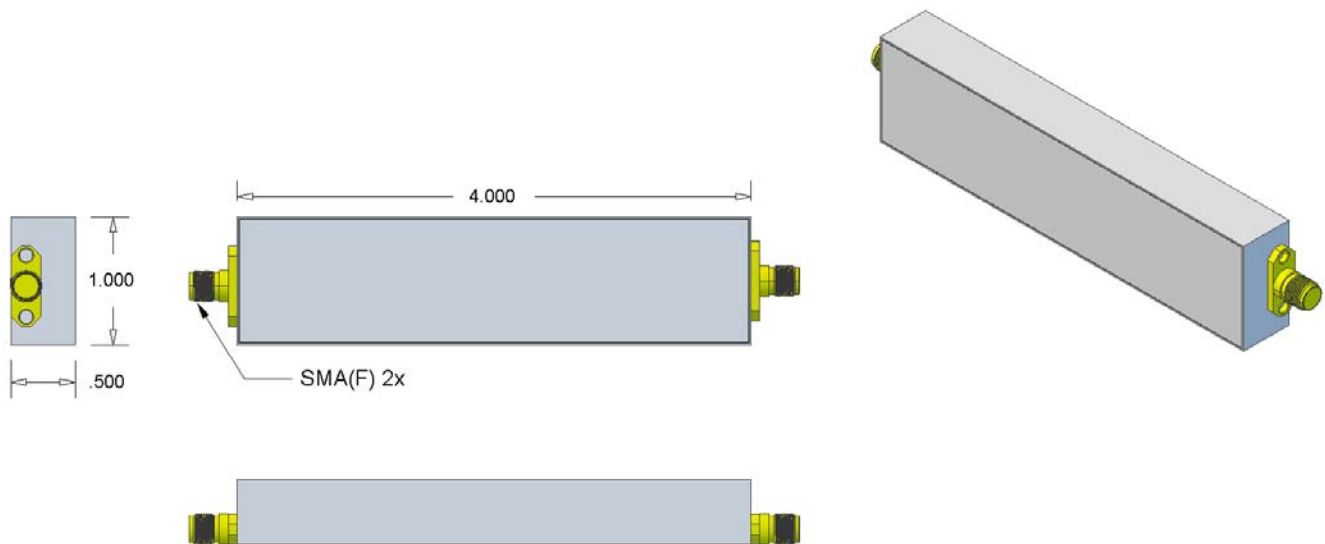
Web www.krfilters.com
Email sales@krfilters.com
Phone (732) 636-1900
Fax (732) 636-1982

KR Electronics 3168-1435

Specifications

Parameter	Specification	Notes
Filter type	Notch	
Notch Frequency	1435 MHz	
Insertion Loss at 1000 MHz	0.5 dBa typical	Passband Extends down to approx. 900 MHz
Rejection at 1340 & 1533 MHz	3 dBc max	
Rejection 1410 to 1460 MHz	30 dBc min	
Source and Load	50 Ω	

Physical Dimensions



Notes:

1. Dimensions in inches
2. Rectangular case

KR Electronics, Inc.
91 Avenel Street
Avenel, NJ 07001

Web www.krfilters.com
Email sales@krfilters.com
Phone (732) 636-1900
Fax (732) 636-1982