

# KR Electronics, Inc.

## General Description

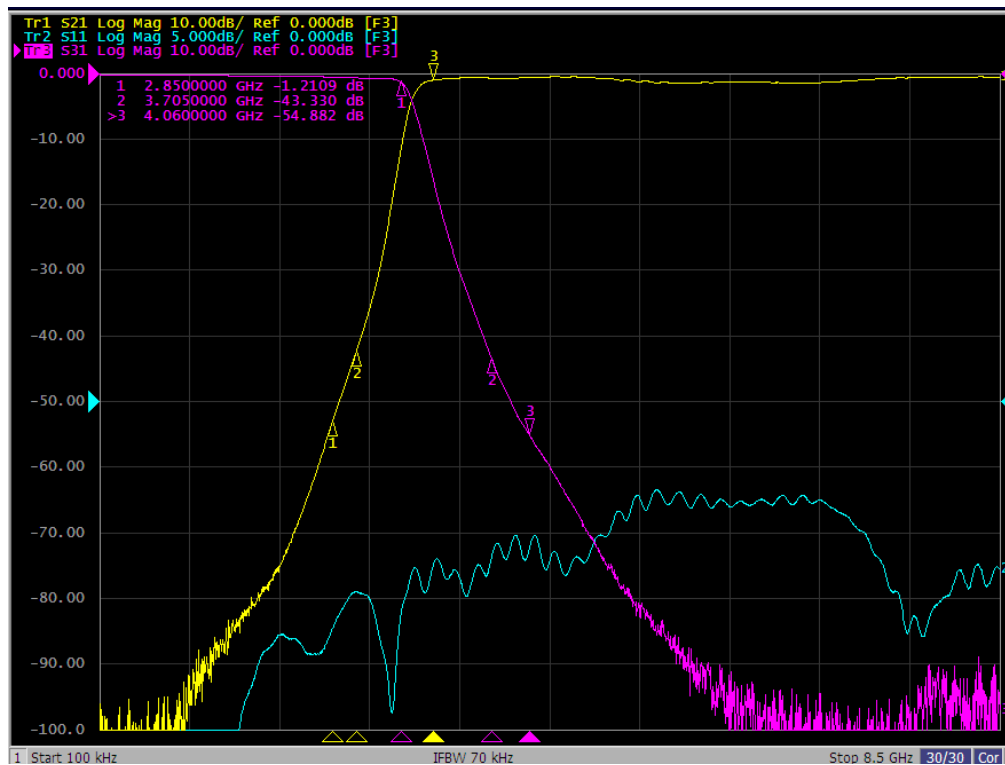
KR Electronics part number 3227 is a 3 GHz diplexer.  
Other frequencies are available. Please consult the factory.

## Features

- 3 GHz Diplexer Filter
- Lower Passband DC to 2850 MHz
- Upper Passband 3150 MHz to 8500 MHz
- 50  $\Omega$  Source and Load
- 10 Watt Input Power
- N Connectors

## Typical Performance

Overall Response  
(10 dB/div)

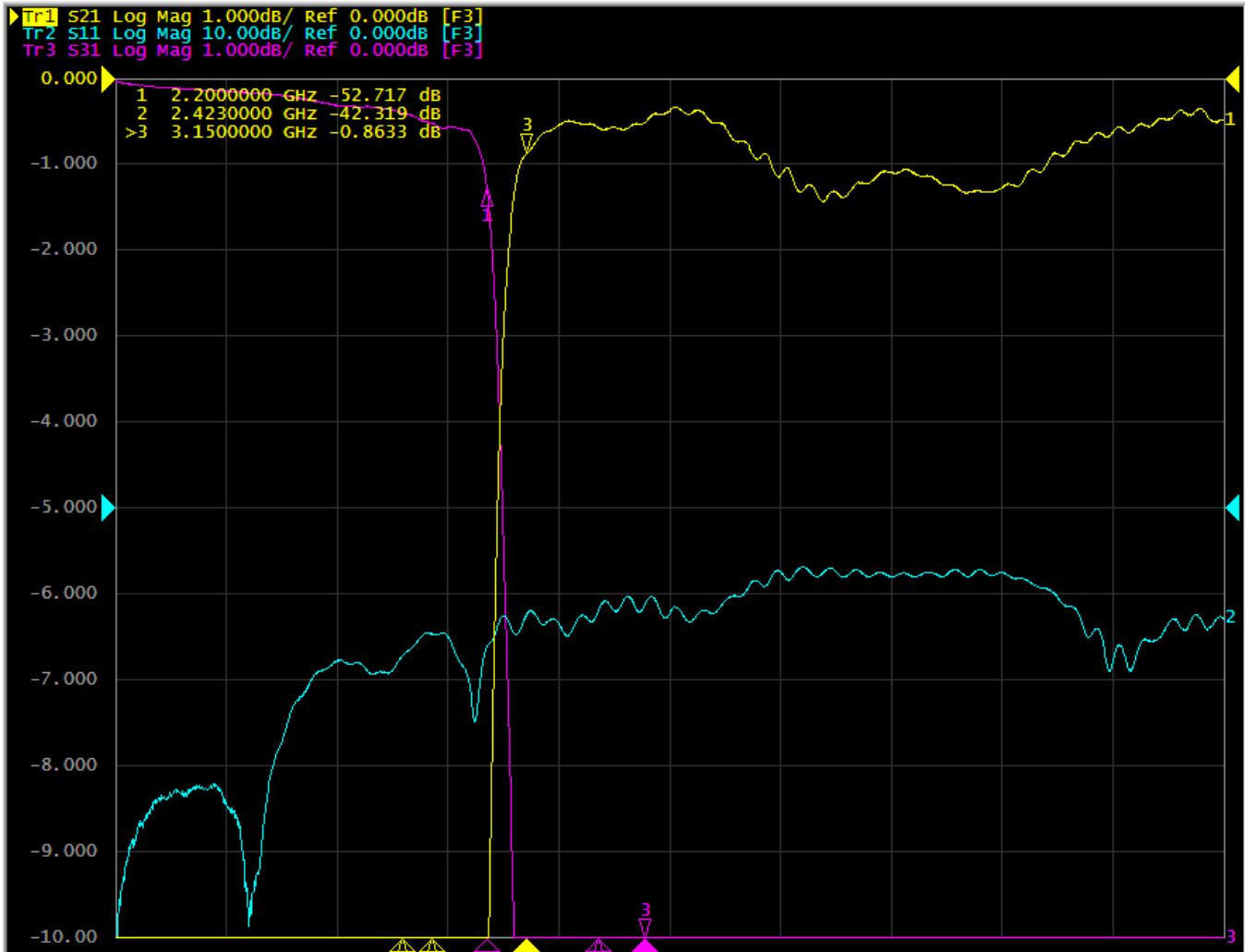


KR Electronics, Inc.  
91 Avenel Street  
Avenel, NJ 07001

Web [www.krfilters.com](http://www.krfilters.com)  
Email [sales@krfilters.com](mailto:sales@krfilters.com)  
Phone (732) 636-1900  
Fax (732) 636-1982

Typical Performance

Passband Amplitude  
(1 dB/div)

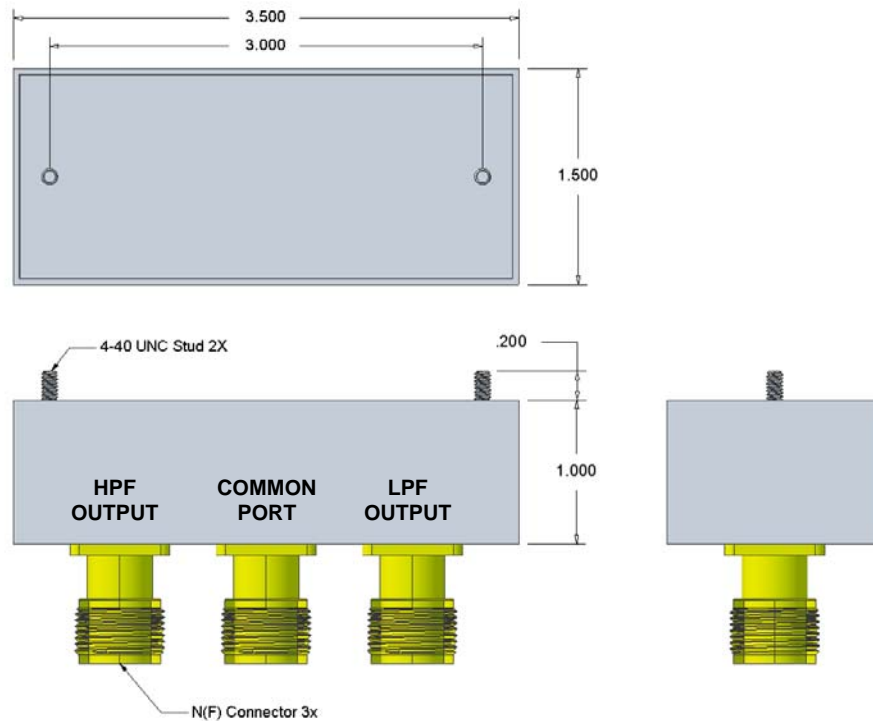


# KR Electronics 3227

## Specifications

Parameter	Specification	Notes
Filter type	Diplexer	
Lowpass Passband 2 dB max	DC to 2850 MHz	± 1 dB Ripple max
Lowpass Rejection at 4060 to 8500 MHz	50 dB min	
Highpass Passband 2 dB max	3150 to 8500 MHz	± 1 dB Ripple max
Highpass Rejection DC to 2200 MHz	45 dB min	
Source and Load	50 Ω	
Maximum Input Power	10 Watts	

## Physical Dimensions



**Notes:**

1. Dimensions in inches
2. Rectangular case

KR Electronics, Inc.  
91 Avenel Street  
Avenel, NJ 07001

Web [www.krfilters.com](http://www.krfilters.com)  
Email [sales@krfilters.com](mailto:sales@krfilters.com)  
Phone (732) 636-1900