

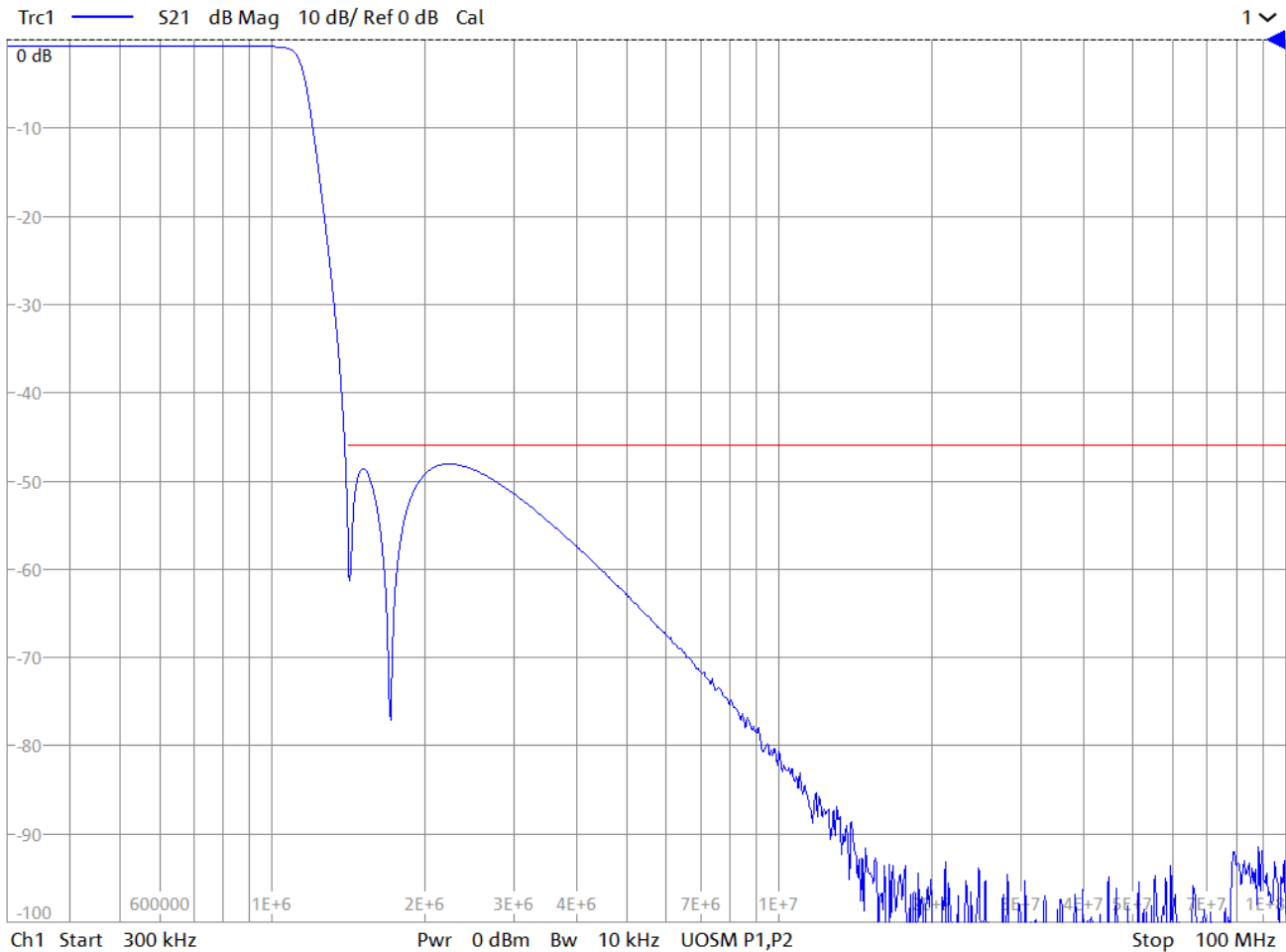
General Description

KR Electronics part number 3271-SMA is a 1 MHz Lowpass Filter. The filter has a minimum 0.5 dB bandwidth of 1 MHz and attains 45 dB minimum rejection by 1.4 MHz. Other frequencies are available. Please consult the factory.

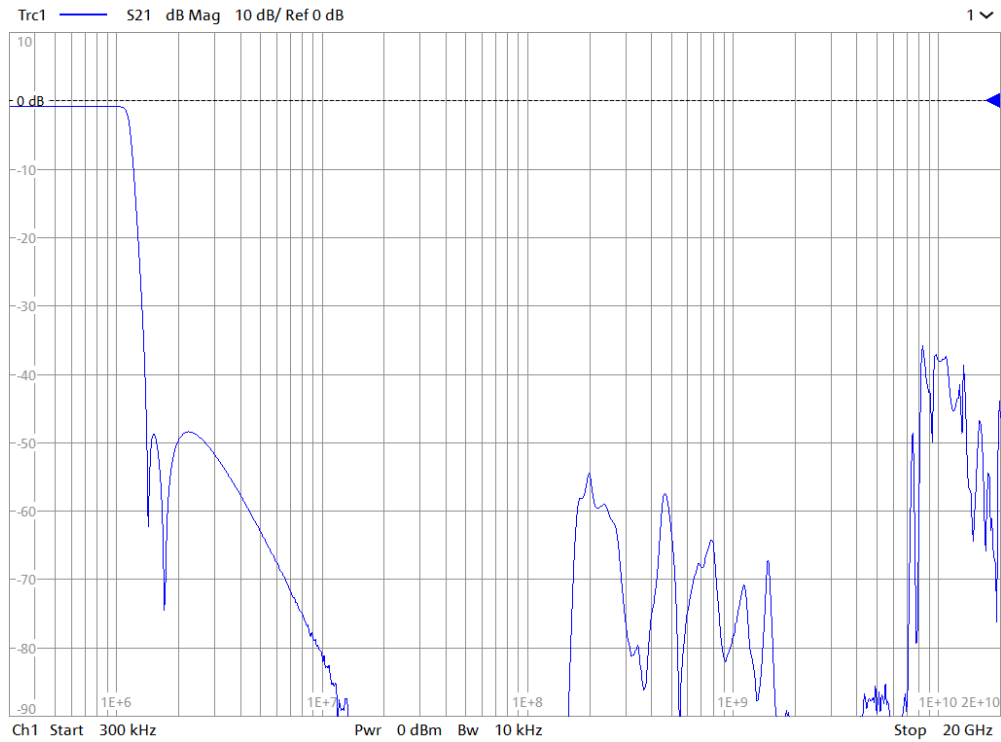
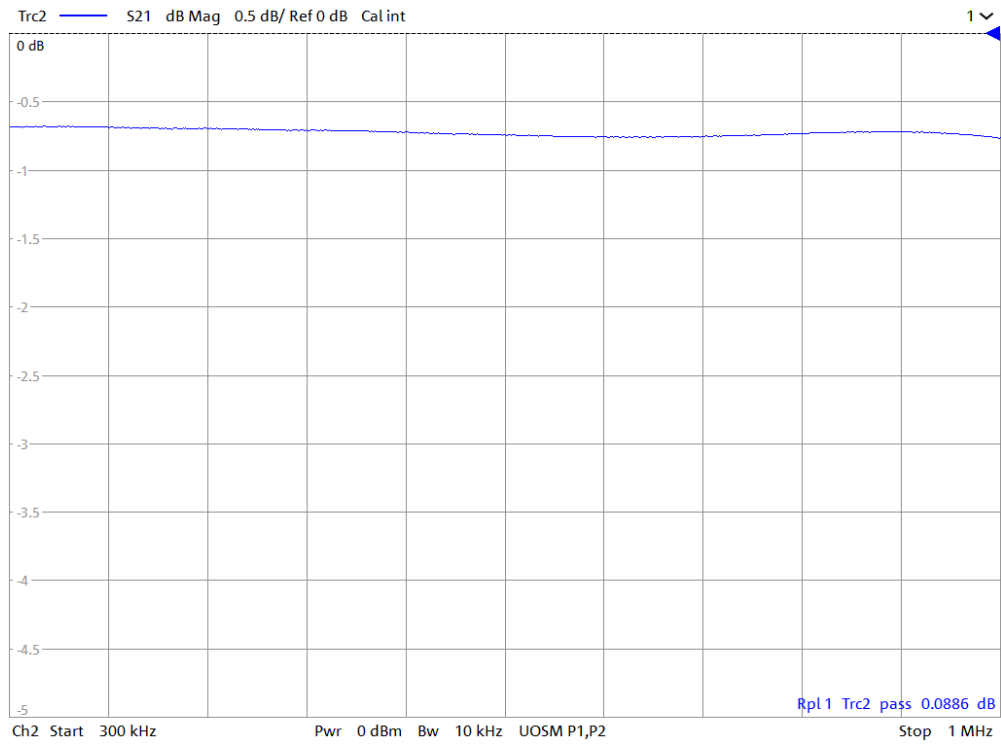
Features

- 1 MHz Lowpass Filter
- 0.5 dB Bandwidth min
- 45 dB min Rejection at 1.4 MHz
- Stopband Rejection to 6 GHz min
- 50Ω Source & Load
- SMA Connectors

Typical Performance



KR Electronics 3271-SMA



KR Electronics, Inc.
91 Avenel Street
Avenel, NJ 07001

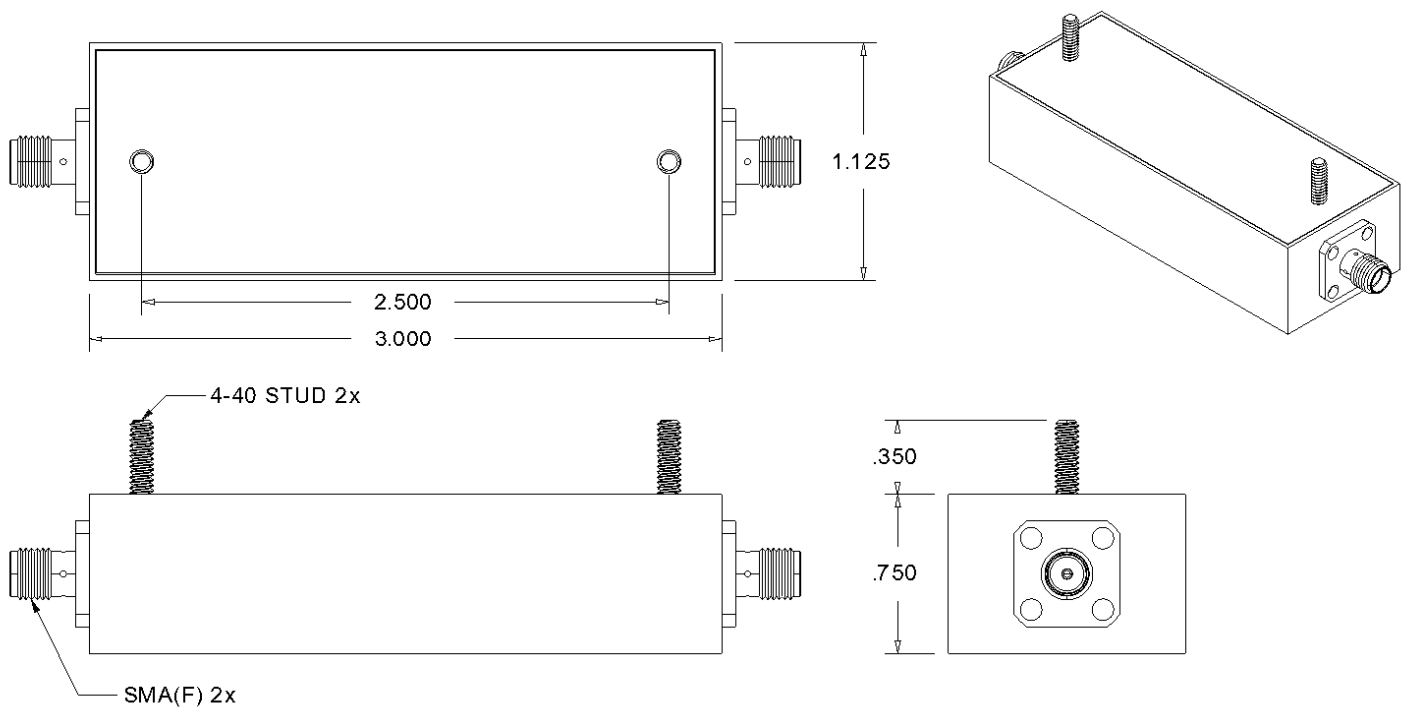
www.krfilters.com
sales@krfilters.com
(732) 636-1900

KR Electronics 3271-SMA

Specifications

Parameter	Specification	Notes
Filter type	Lowpass	
Insertion Loss at 100 KHz	1 dBa max	
Passband Ripple to 1 MHz	0.5 dB max	<0.25 dB typical
Rejection at 1.4 MHz & above	45 dBc min	
Source and Load	50 Ω	

Physical Dimensions



Notes:

1. Dimensions in inches
2. Metal Case
3. SMA(F) Connectors