

General Description

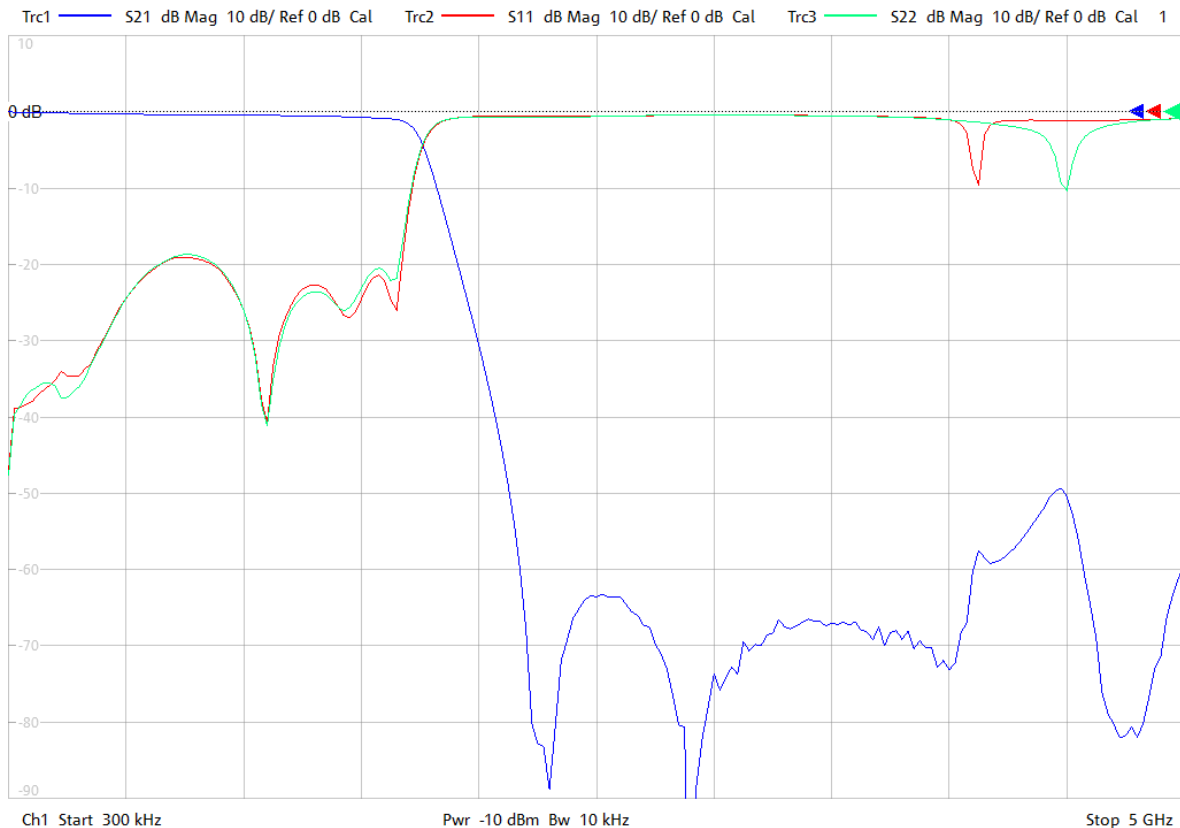
KR Electronics part number 3293-SMA is a 1700 MHz lowpass filter. The filter has a minimum 3 dB bandwidth of 1700 MHz. Other center frequencies are available. Please consult the factory.

Features

- 1700 MHz Lowpass Filter
- 40 dB min at 2500 MHz
- Selective Elliptic Typed Design
- 50 Ω Source and Load
- SMA Connectors
- Surface Mount also available

Typical Performance

Overall Response (10 dB/div)



KR Electronics, Inc.
91 Avenel Street
Avenel, NJ 07001

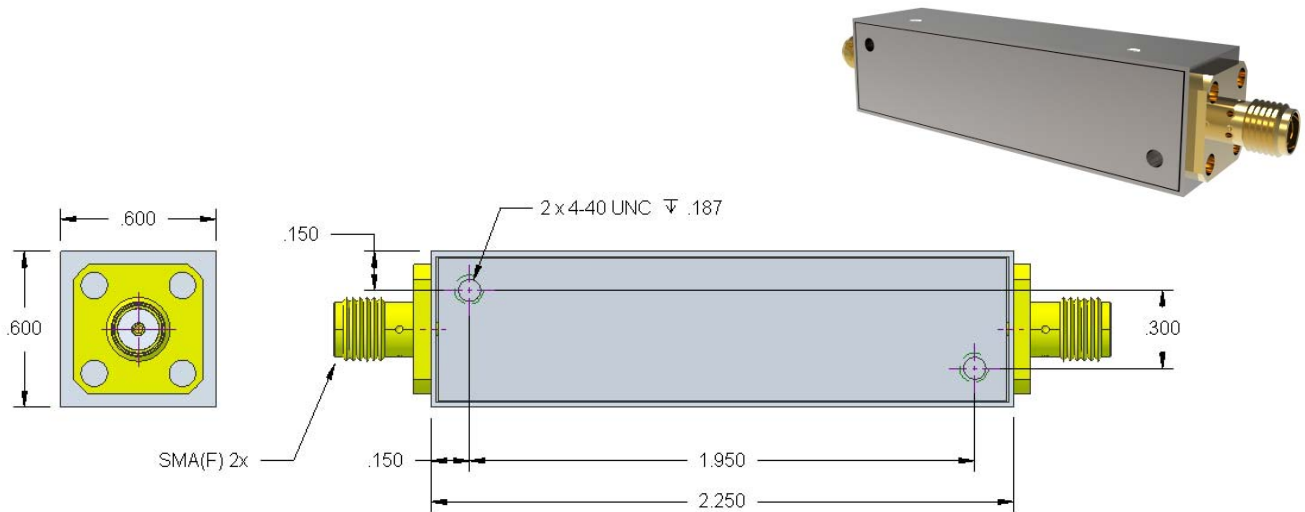
Web www.krfilters.com
Email sales@krfilters.com
Phone (732) 636-1900
Fax (732) 636-1982

KR Electronics 3293-SMA

Specifications

Parameter	Specification	
Filter type	Lowpass	
3 dB Bandwidth	1700 MHz min	
40 dB Bandwidth	2500 MHz max	2100 MHz typical
40 dB Rejection Maintained to	5000 MHz	
Source and Load	50 Ω	

Physical Dimensions



Notes:

1. Dimensions in inches
2. Rectangular case
3. Also available in a surface mount package

KR Electronics, Inc.
 91 Avenel Street
 Avenel, NJ 07001

Web www.krfilters.com
 Email sales@krfilters.com
 Phone (732) 636-1900
 Fax (732) 636-1982