

General Description

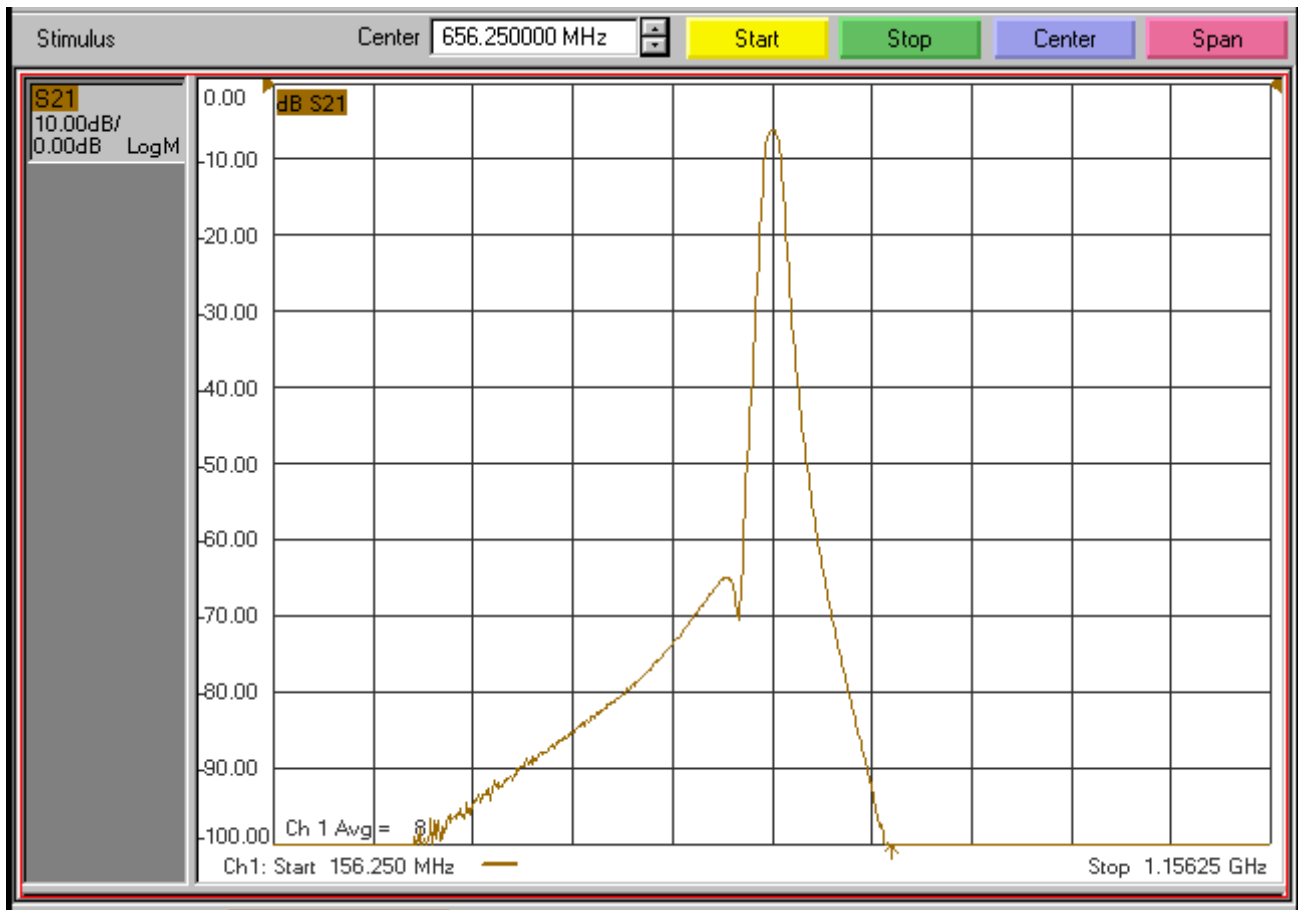
KR Electronics part number 3325-SMA is a 656.25 MHz band-pass filter. The filter has a typical 1 dB bandwidth of 10 MHz. Other center frequencies are available. Please consult the factory.

Features

- 656.25 MHz Bandpass Filter
- 10 MHz minimum 1 dB Bandwidth
- 50 MHz typical 40 dB Bandwidth
- 50 Ω Source and Load
- SMA Connectors

Typical Performance

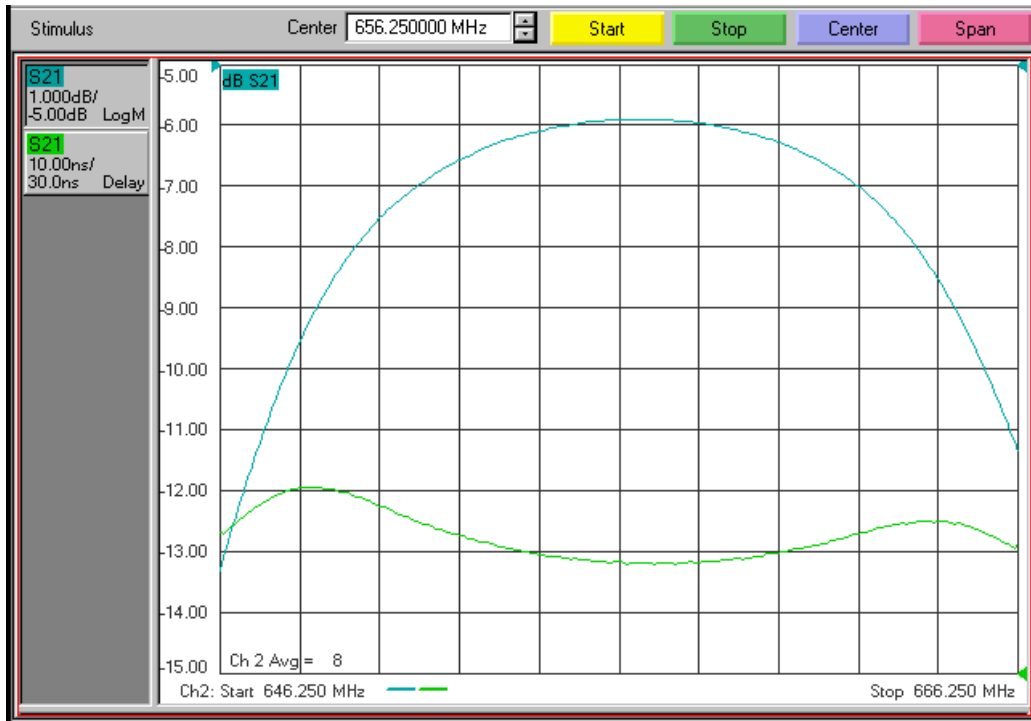
Overall Response (10 dB/div)



KR Electronics 3325-SMA

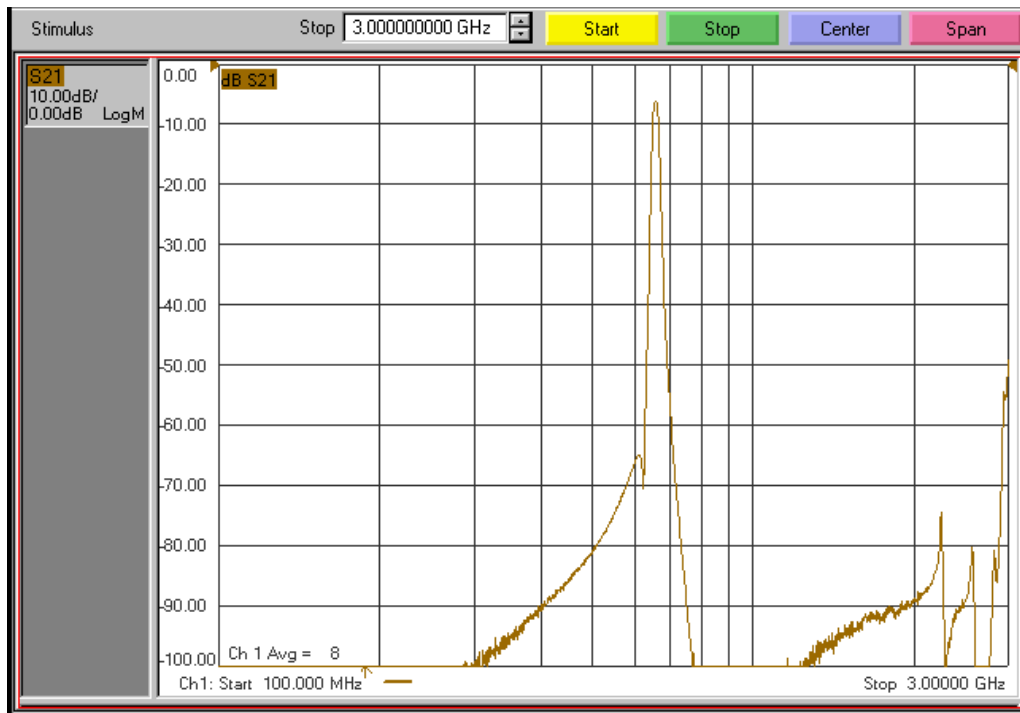
Passband Amplitude & Group Delay

(1 dB/div & 10 nsec/div)



Overall Response

(10 dB/div)



KR Electronics, Inc.
91 Avenel Street
Avenel, NJ 07001

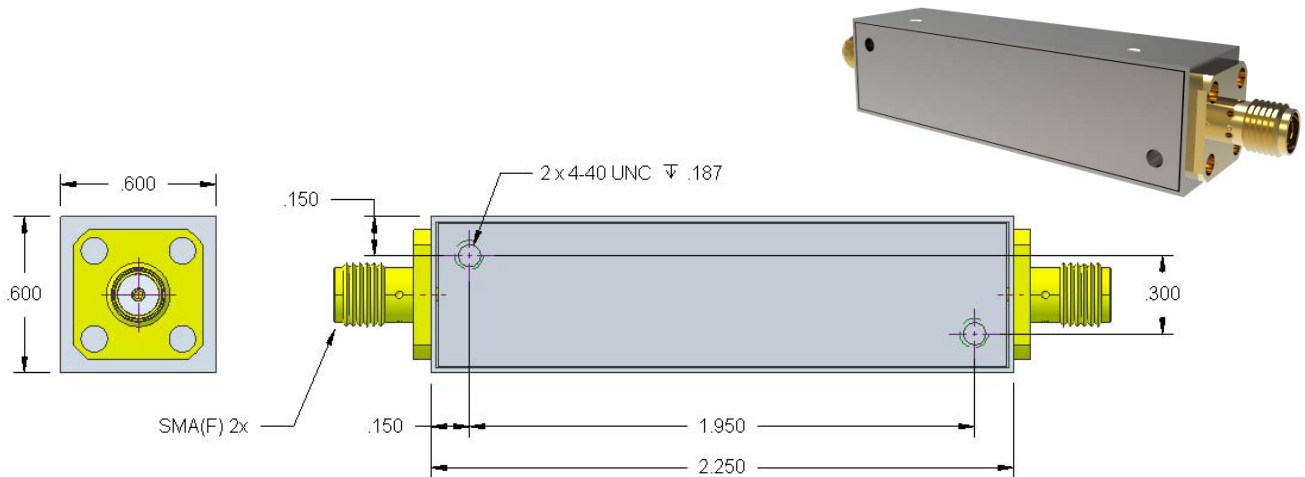
Web www.krfilters.com
Email sales@krfilters.com
Phone (732) 636-1900
Fax (732) 636-1982

KR Electronics 3325-SMA

Specifications

Parameter	Specification	
Filter type	Bandpass	
Center Frequency (Fc)	656.25 MHz	
Insertion Loss at Fc	8 dBa max	6 dBa typical
1 dB Bandwidth	9 MHz min to 11.3 MHz max	
3 dB Bandwidth	16 MHz typical	
20 dB Bandwidth	33 MHz typical	
40 dB Bandwidth	55 MHz typical	
Source and Load	50 Ω	

Physical Dimensions



Notes:

1. Dimensions in inches
2. Rectangular case