

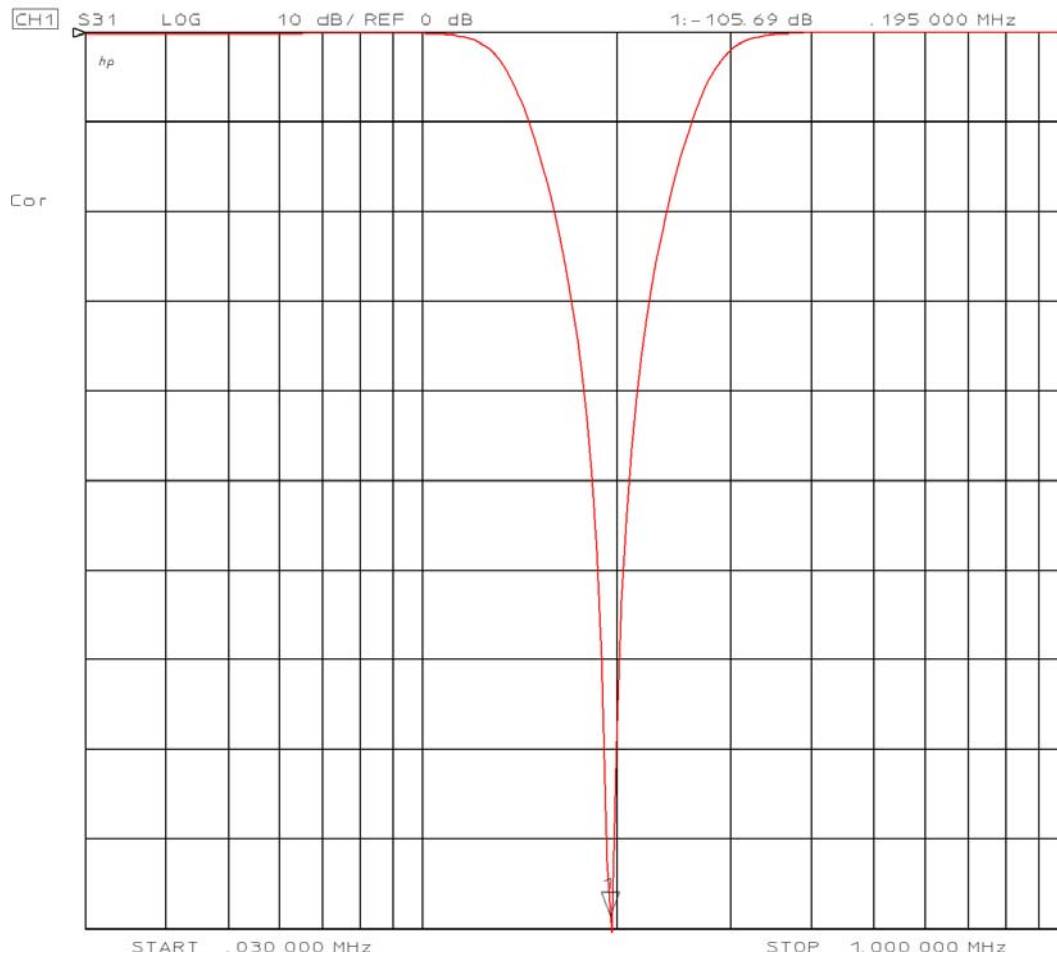
General Description

KR Electronics 3373-195-SMA is a 195 KHz notch filter. The filter has >90 dB rejection at the notch frequency. Other notch frequencies are available. Please consult the factory.

Features

- 195 KHz Notch Filter
- High Notch Rejection >90 dB
- SMA Connectors
- Other configurations available

Typical Performance



KR Electronics, Inc.
91 Avenel Street
Avenel, NJ 07001

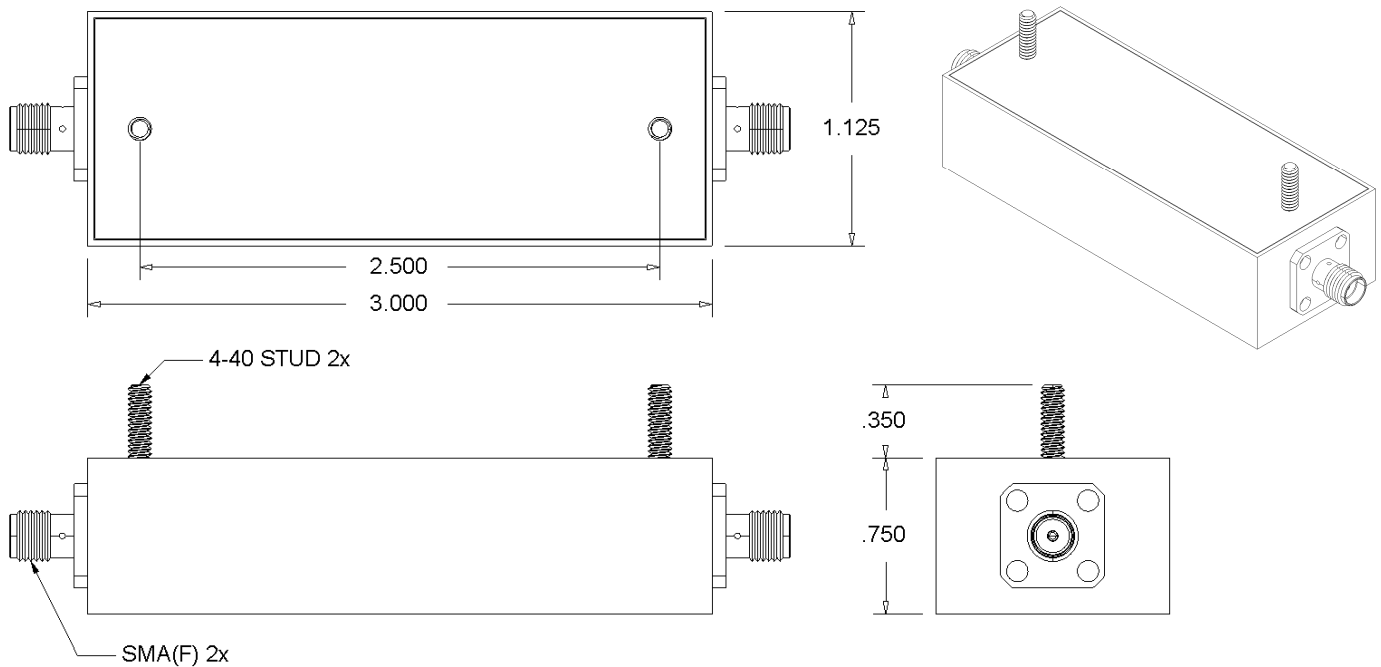
Web www.krfilters.com
Email sales@krfilters.com
Phone (732) 636-1900
Fax (732) 636-1982

KR Electronics 3373-195-SMA

Specifications

Parameter	Specification	Notes
Filter type	Notch	
Notch Frequency Fc	195 KHz	
Insertion Loss	< 1 dBa typical	
Rejection at Fc	90 dB min	
Source and Load	50 Ω	

Physical Dimensions



Notes:

1. Dimensions in inches

KR Electronics, Inc.
 91 Avenel Street
 Avenel, NJ 07001

Web www.krfilters.com
 Email sales@krfilters.com
 Phone (732) 636-1900
 Fax (732) 636-1982