

KR Electronics, Inc.

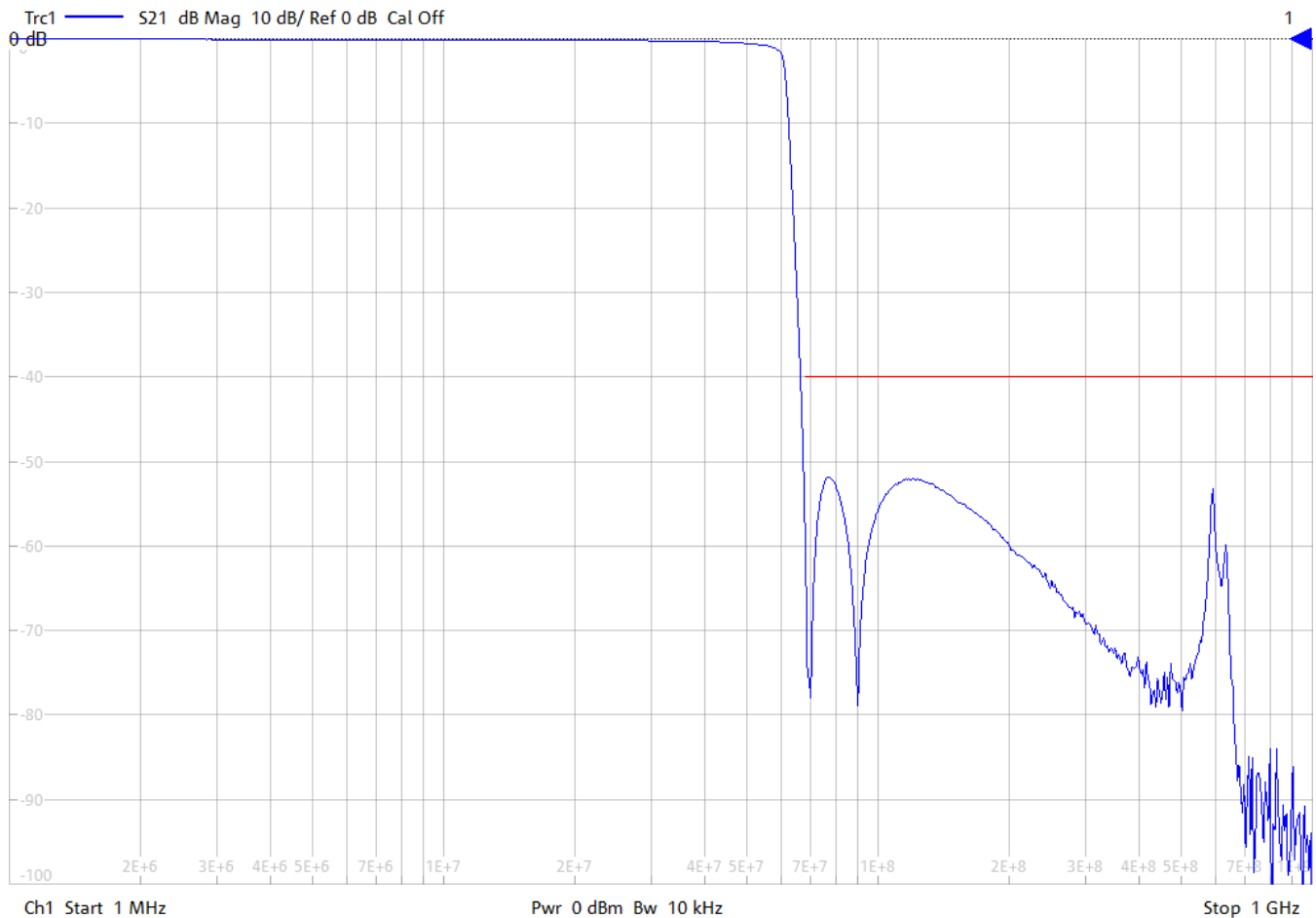
General Description

KR Electronics part number 3380-SMA is a 60 MHz Low-pass filter. The filter has a minimum 3 dB bandwidth of 60 MHz. Other bandwidths are available. Please consult the factory.

Features

- 60 MHz Lowpass Filter
- 3 dB Bandwidth 60 MHz max
- 40 dB Bandwidth 67.5 MHz max
- Sharp Elliptic Type Design
- 50 Ω Source and Load
- SMA Connectors
- Also available as surface mount

Typical Performance



KR Electronics, Inc.
91 Avenel Street
Avenel, NJ 07001

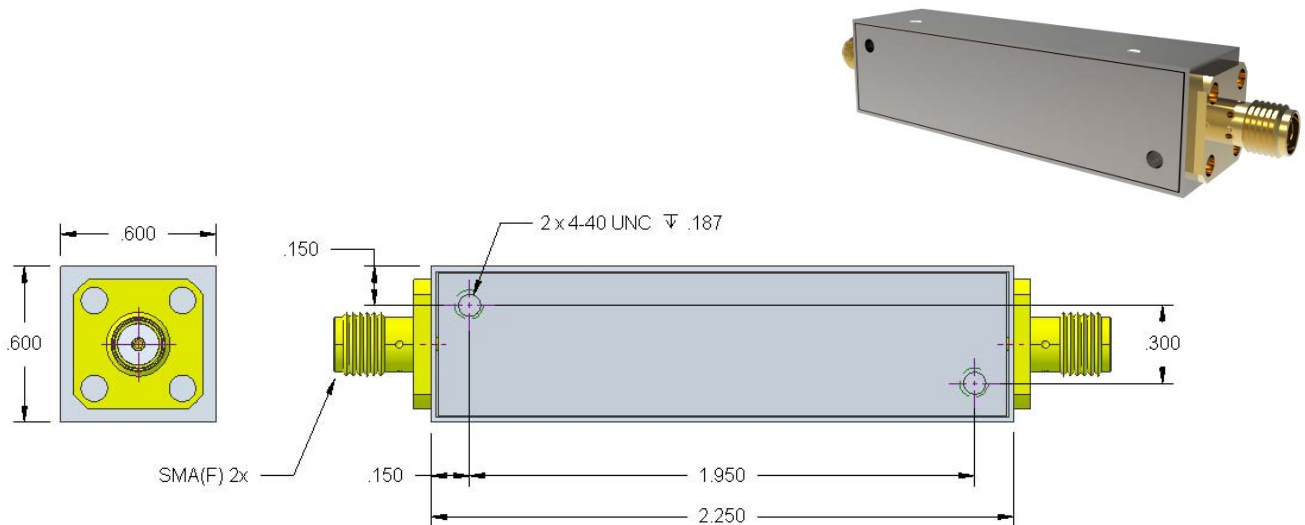
Web www.krfilters.com
Email sales@krfilters.com
Phone (732) 636-1900
Fax (732) 636-1982

KR Electronics 3380-SMA

Specifications

Parameter	Specification	Notes
Filter type	Lowpass	
3 dB Bandwidth	60 MHz min	
Rejection at 67 MHz to 1000 MHz	40 dB min	to 3000 MHz typical
Source and Load	50 Ω	

Physical Dimensions



Notes:

1. Dimensions in inches
2. Rectangular case
3. Also available in surface mount package

KR Electronics, Inc.
91 Avenel Street
Avenel, NJ 07001

Web www.krfilters.com
Email sales@krfilters.com
Phone (732) 636-1900
Fax (732) 636-1982