

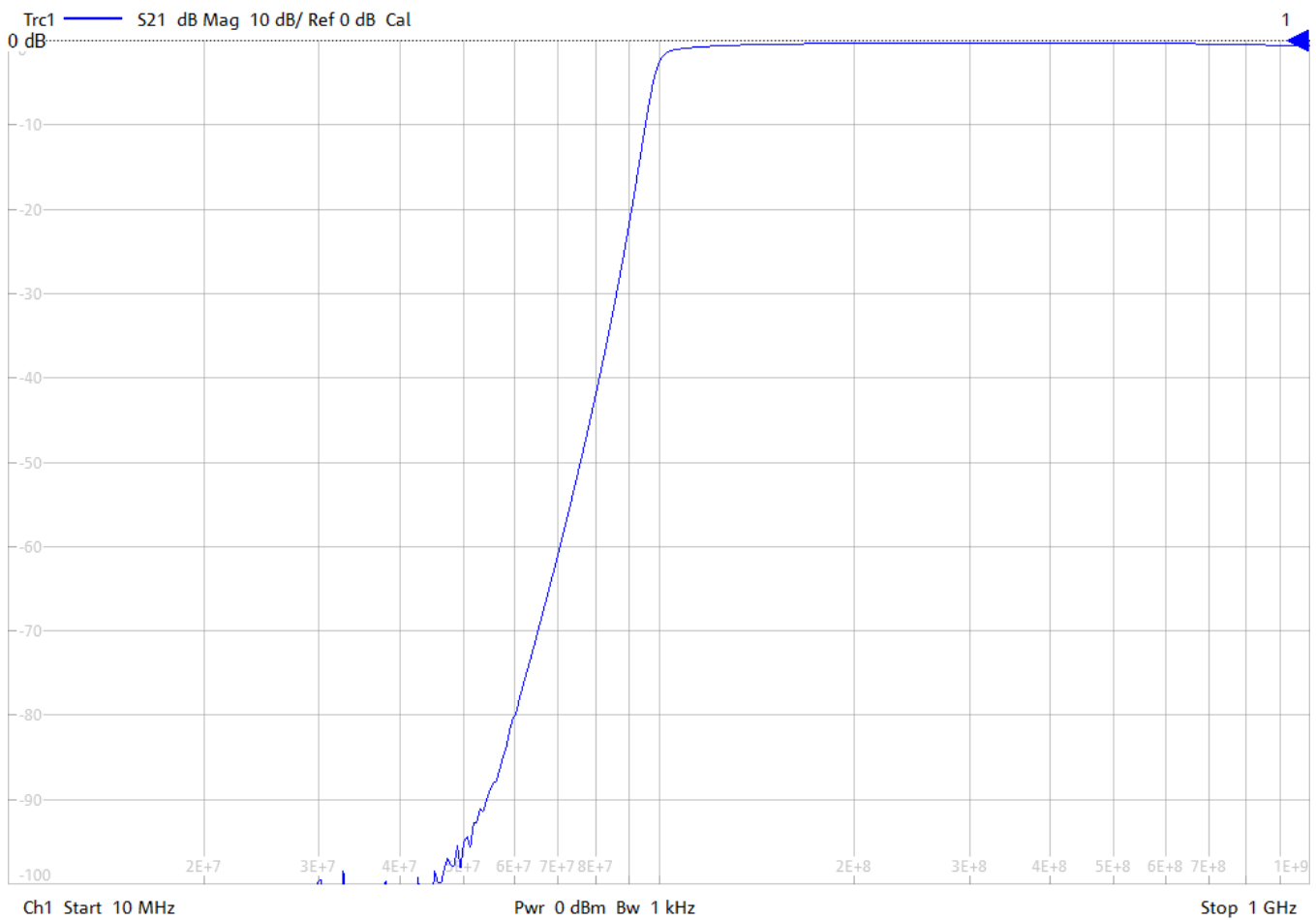
General Description

KR Electronics part number 3404-SMA is a 100 MHz highpass filter. Other frequencies are available. Please consult the factory.

Features

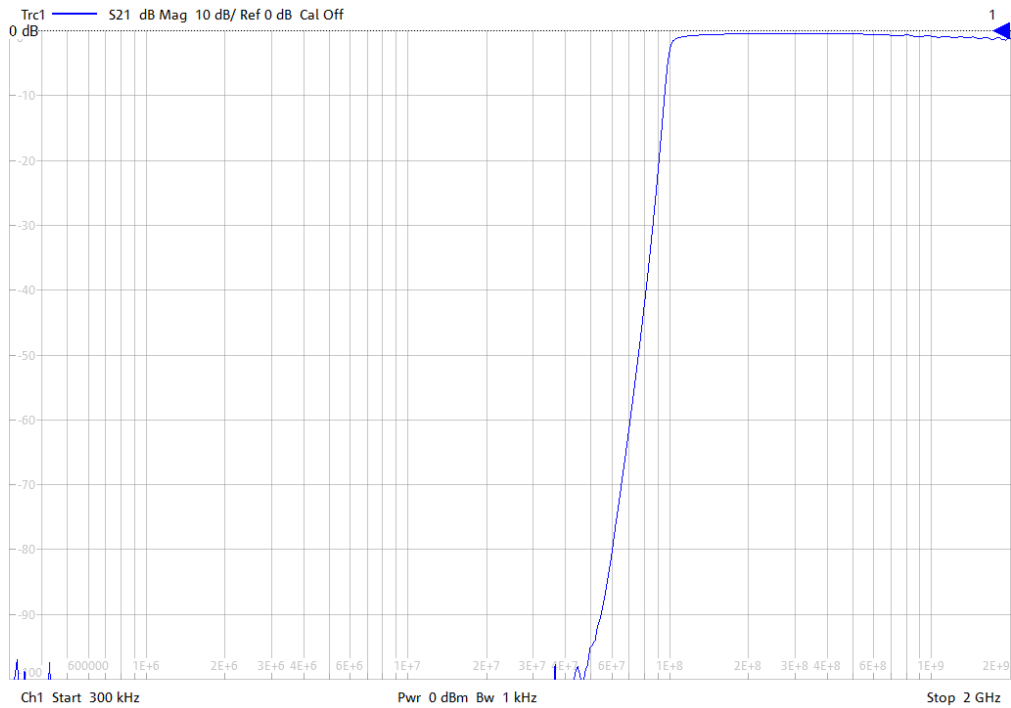
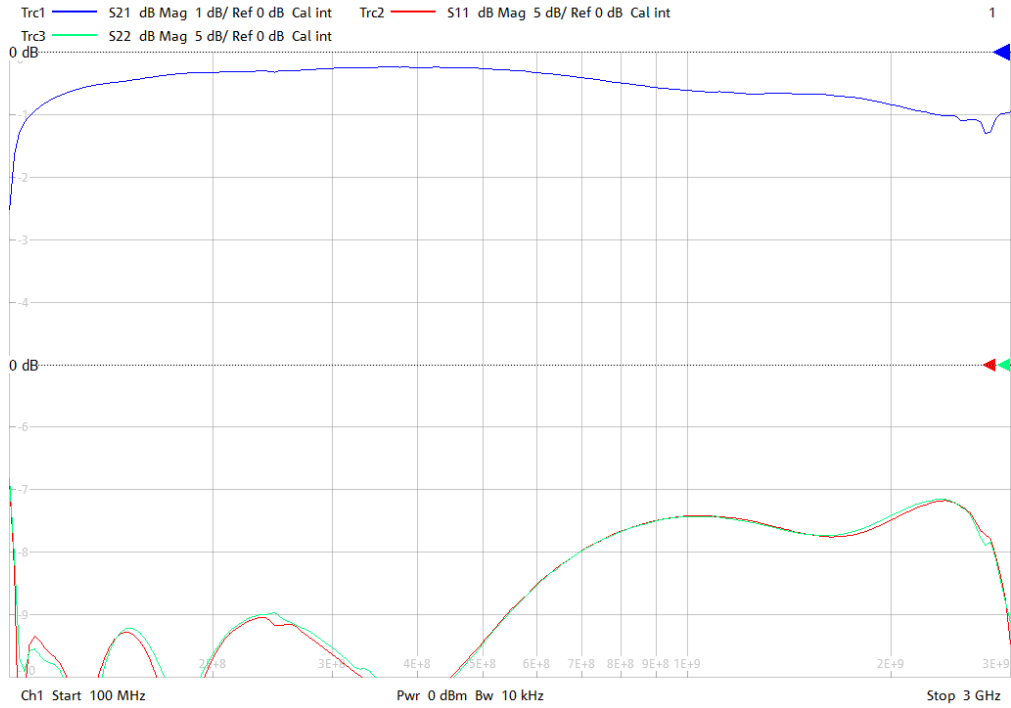
- 100 MHz Highpass
- Loss at 100 MHz: 3 dB max
- Rejection at 77 MHz: 48 dB typical
- 50 Ω Source and Load
- SMA Connectors
- Surface Mount also available

Typical Performance



KR Electronics, Inc.
91 Avenel Street
Avenel, NJ 07001

Web www.krfilters.com
Email sales@krfilters.com
Phone (732) 636-1900

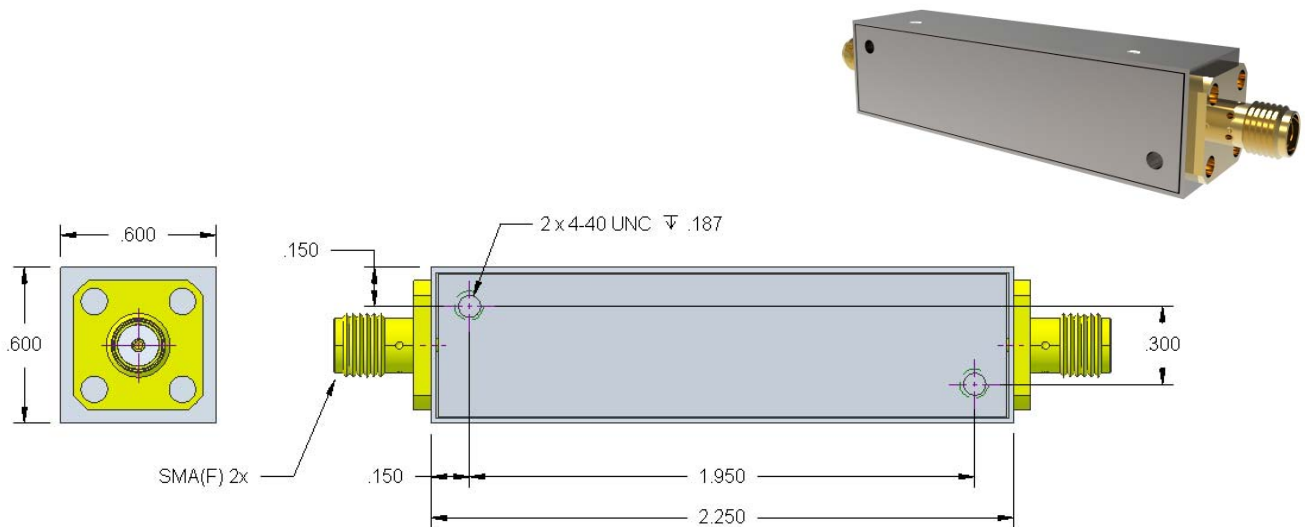


KR Electronics 3404-SMA

Specifications

Parameter	Specification	
Filter type	Highpass	
Start of Passband (<3 dB)	100 MHz	
Passband	100-1000 MHz min	100 to 2000 MHz typical
Rejection at 77 MHz and below	48 dB typical	
Source and Load	50 Ω	

Physical Dimensions



Notes:

1. Dimensions in inches
2. Metal Case
3. SMA(F) Connectors

KR Electronics, Inc.
91 Avenel Street
Avenel, NJ 07001

Web www.krfilters.com
Email sales@krfilters.com
Phone (732) 636-1900
Fax (732) 636-1982