

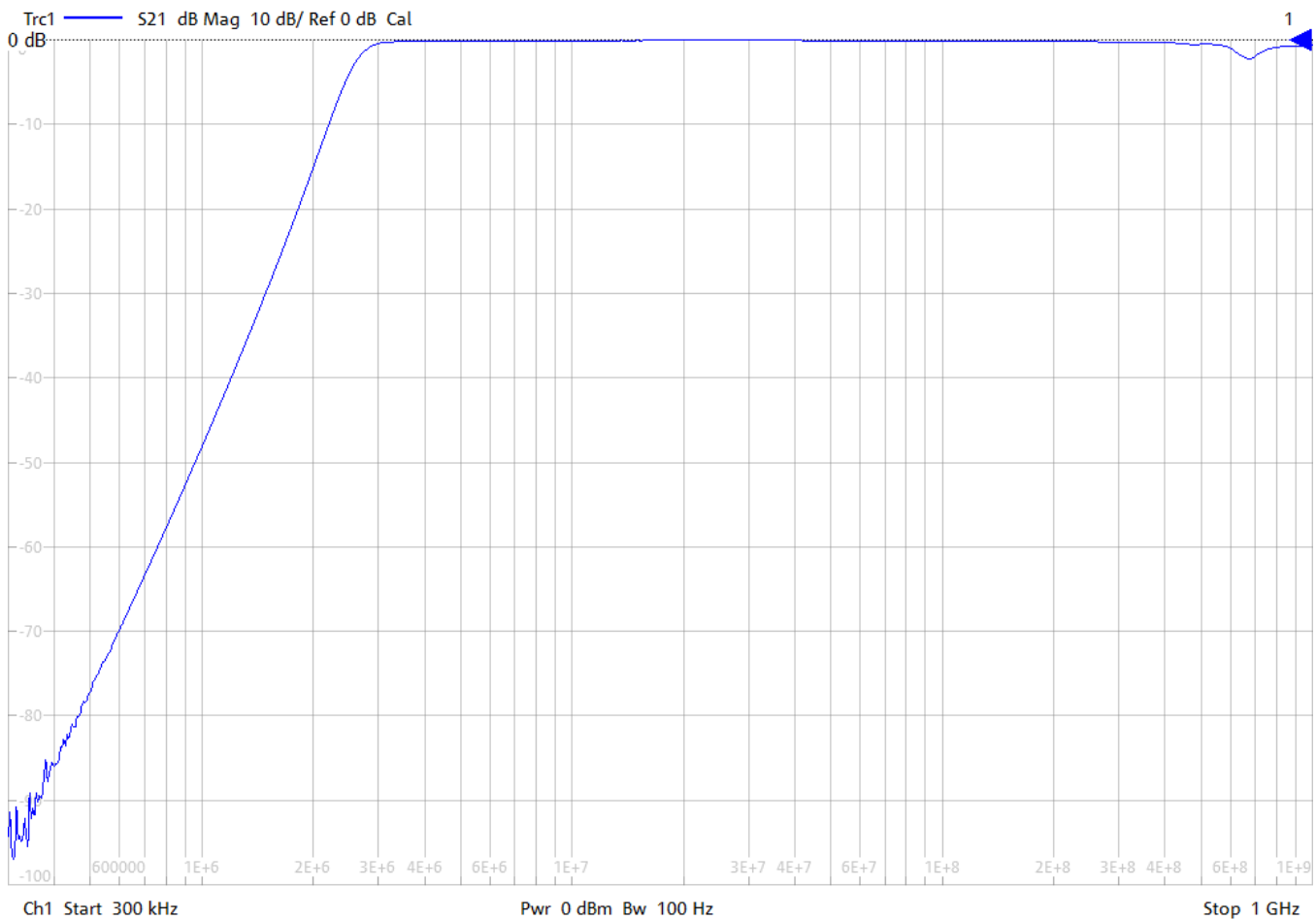
General Description

KR Electronics part number 3408-3-SMA is a 3 MHz highpass filter. Other frequencies are available. Please consult the factory.

Features

- 3 MHz Highpass
- Loss at 3 MHz: 1 dB max
- Rejection at 600 KHz: 70 dB typical
- 50 Ω Source and Load
- SMA Connectors
- Surface Mount also available

Typical Performance



KR Electronics, Inc.
91 Avenel Street
Avenel, NJ 07001

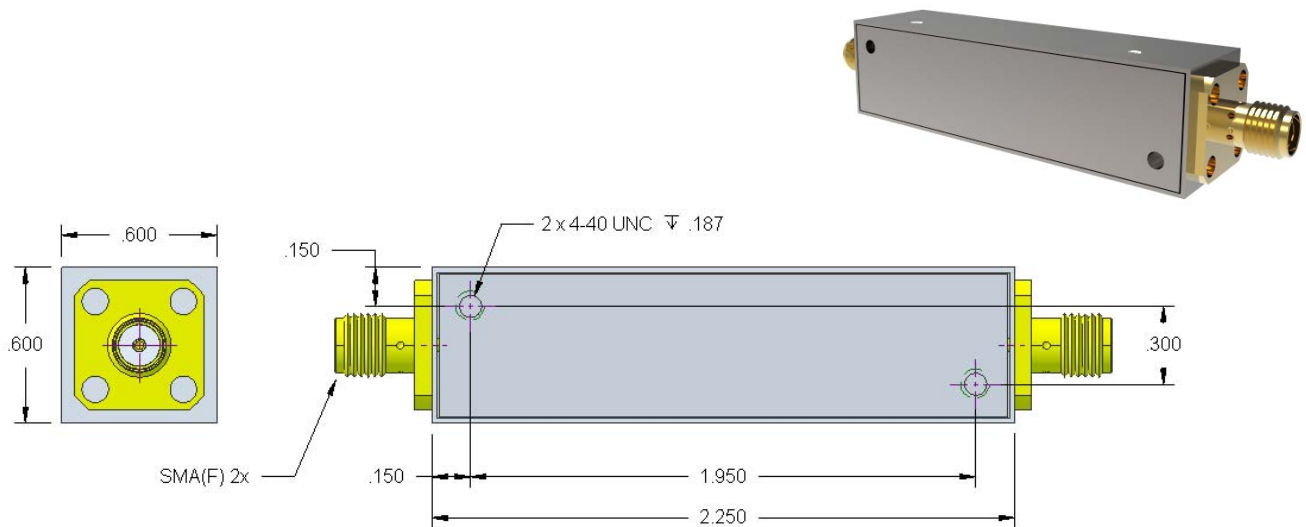
Web www.krfilters.com
Email sales@krfilters.com
Phone (732) 636-1900

KR Electronics 3408-3-SMA

Specifications

Parameter	Specification	
Filter type	Highpass	
Start of Passband (<1 dB)	3 MHz	.5 dB typical
-3 dB Frequency	2.56 MHz typical	
-20 dB Frequency	1.82 MHz typical	
-40 dB Frequency	1.20 MHz typical	
-60 dB Frequency	0.60 MHz min	0.76 MHz typical
Source and Load	50 Ω	

Physical Dimensions



Notes:

1. Dimensions in inches
2. Metal Case
3. SMA(F) Connectors

KR Electronics, Inc.
 91 Avenel Street
 Avenel, NJ 07001

Web www.krfilters.com
 Email sales@krfilters.com
 Phone (732) 636-1900
 Fax (732) 636-1982