

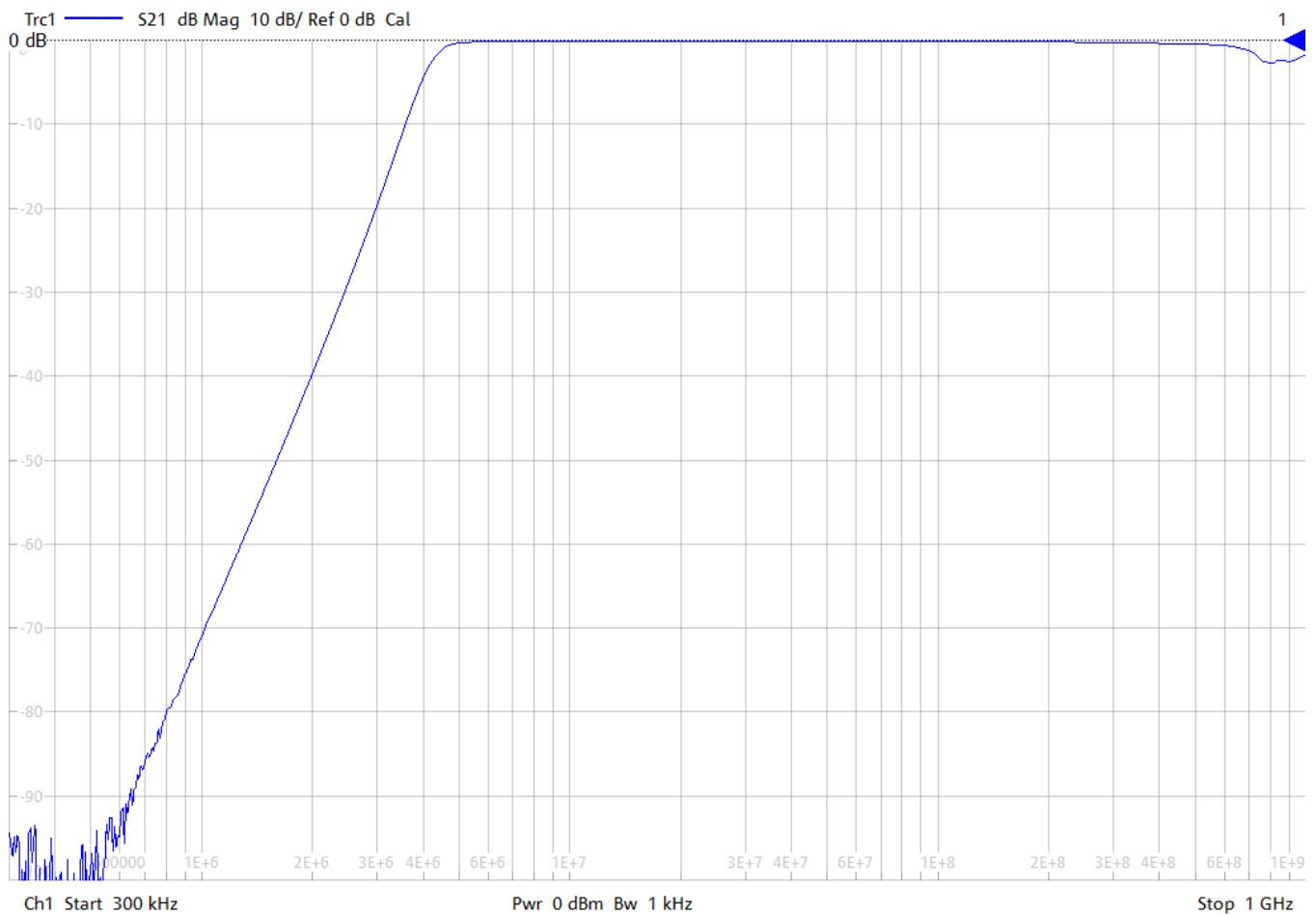
General Description

KR Electronics part number 3408-5-SMA is a 5 MHz highpass filter. Other frequencies are available. Please consult the factory.

Features

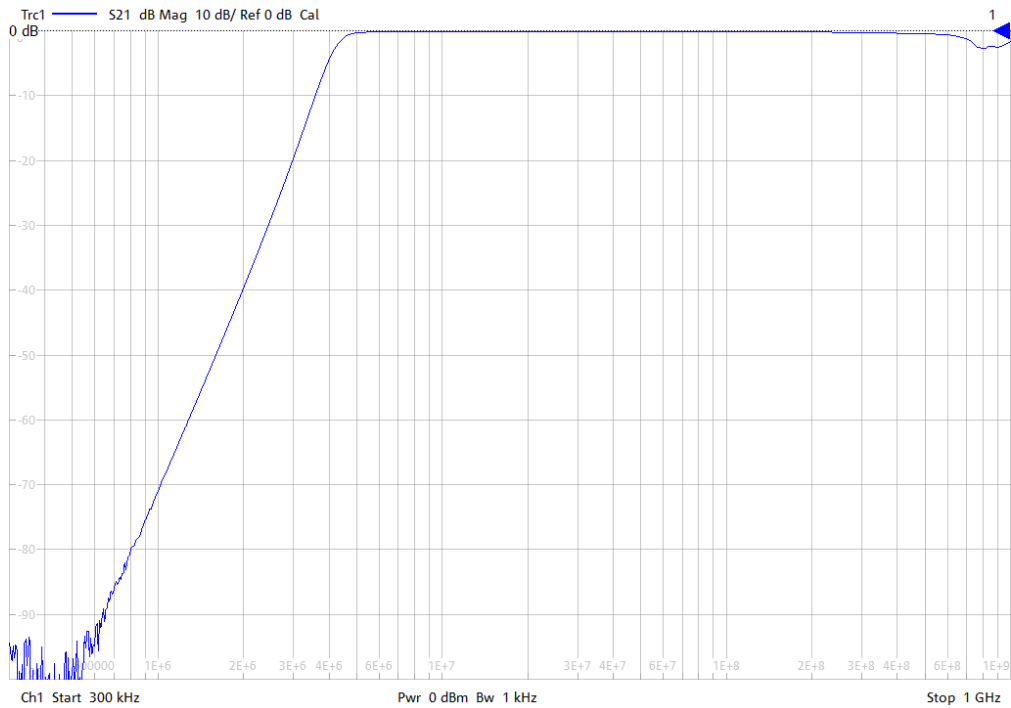
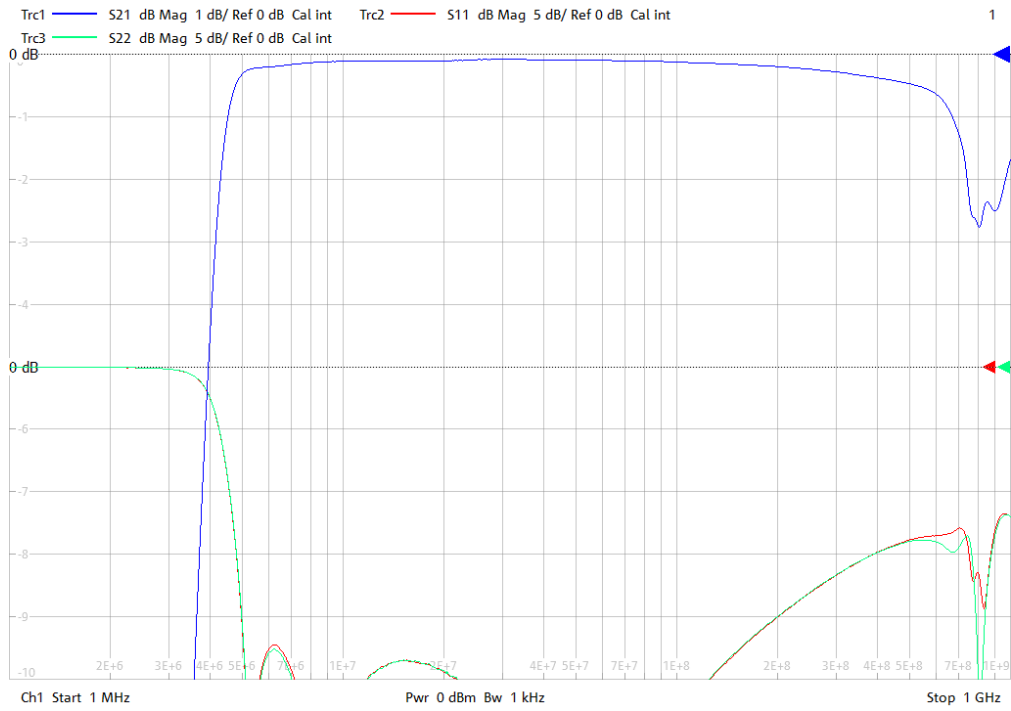
- 5 MHz Highpass
- Loss at 5 MHz: 1 dB max
- Rejection at 1 MHz: 70 dB typical
- 50 Ω Source and Load
- SMA Connectors
- Surface Mount also available

Typical Performance



KR Electronics, Inc.
91 Avenel Street
Avenel, NJ 07001

Web www.krfilters.com
Email sales@krfilters.com
Phone (732) 636-1900



KR Electronics, Inc.
 91 Avenel Street
 Avenel, NJ 07001

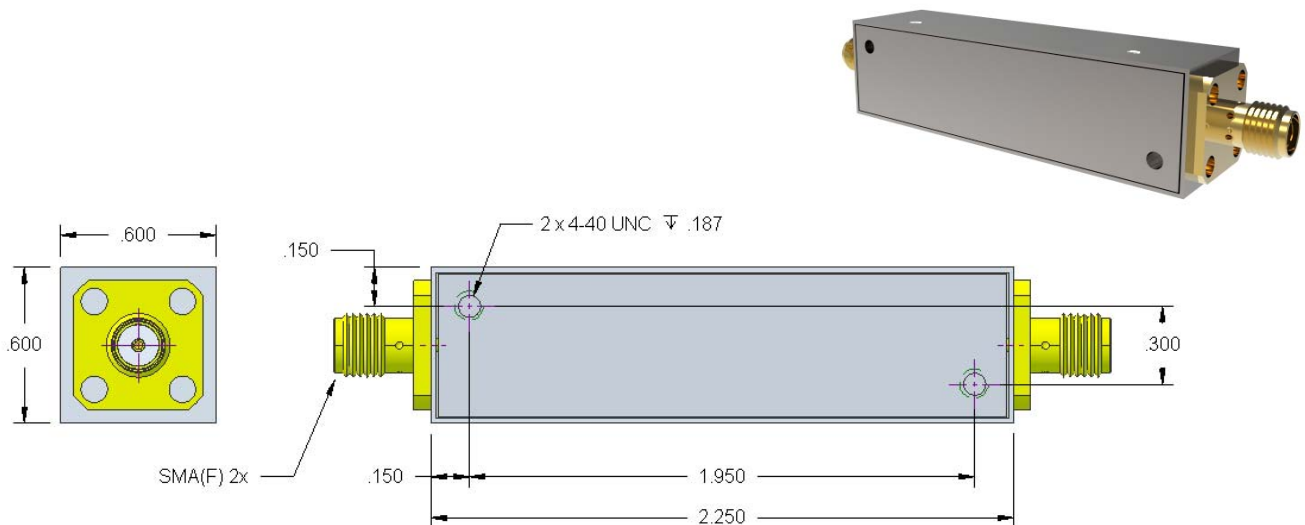
Web www.krfilters.com
 Email sales@krfilters.com
 Phone (732) 636-1900
 Fax (732) 636-1982

KR Electronics 3408-5-SMA

Specifications

Parameter	Specification	
Filter type	Highpass	
Start of Passband (<1 dB)	5 MHz	.3 dB typical
-1 dB Frequency	4.50 MHz typical	
-3 dB Frequency	4.15 MHz typical	
-20 dB Frequency	2.97 MHz typical	
-40 dB Frequency	2.00 MHz typical	
-60 dB Frequency	1 MHz min	1.28 MHz typical
Source and Load	50 Ω	

Physical Dimensions



Notes:

1. Dimensions in inches
2. Metal Case
3. SMA(F) Connectors

KR Electronics, Inc.
91 Avenel Street
Avenel, NJ 07001

Web www.krfilters.com
Email sales@krfilters.com
Phone (732) 636-1900
Fax (732) 636-1982