

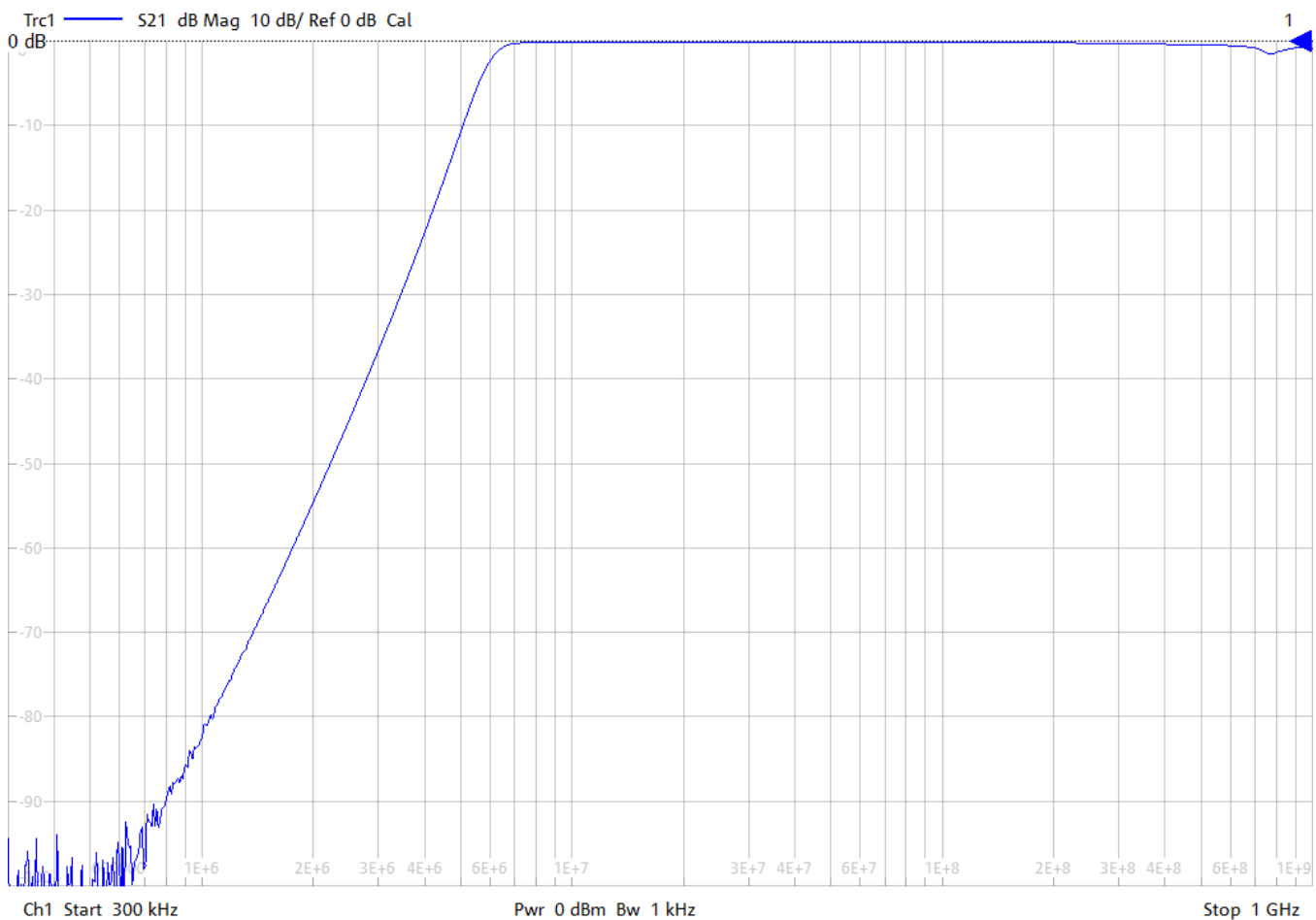
## General Description

KR Electronics part number 3408-7-SMA is a 7 MHz highpass filter. Other frequencies are available. Please consult the factory.

### Features

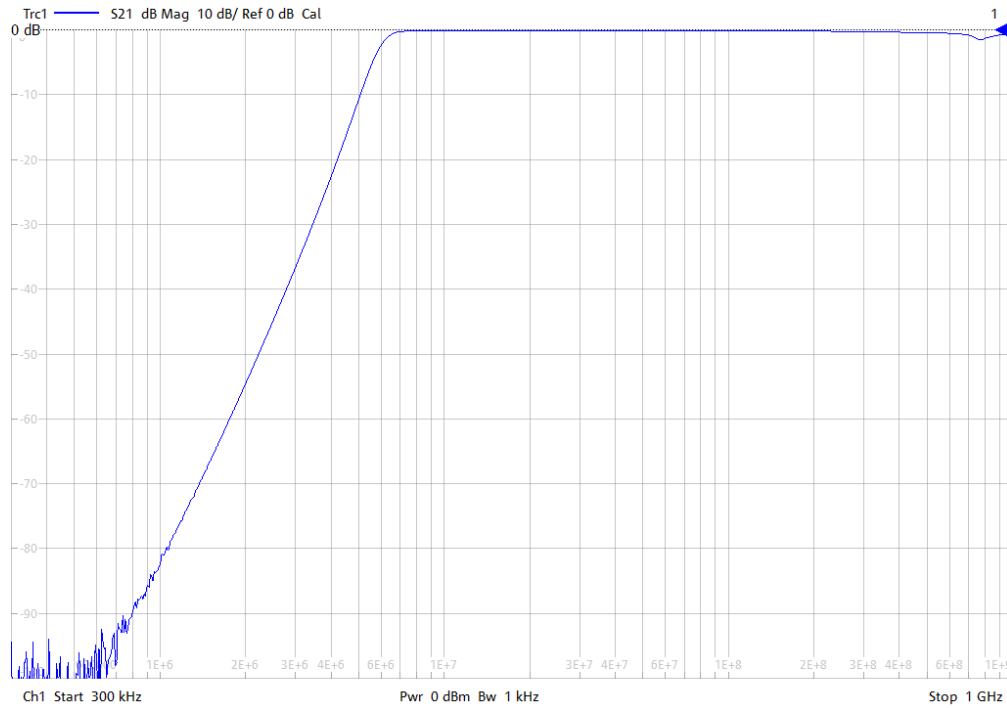
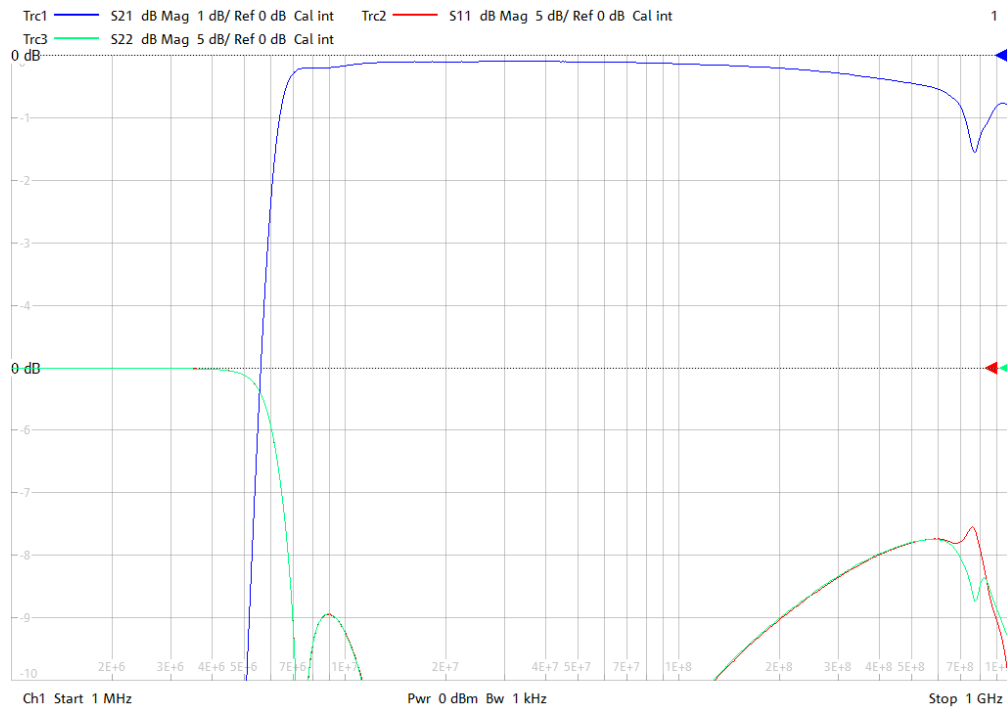
- 7 MHz Highpass
- Loss at 7 MHz: 1 dB max
- Rejection at 1.4 MHz: 70 dB typical
- 50  $\Omega$  Source and Load
- SMA Connectors
- Surface Mount also available

## Typical Performance



KR Electronics, Inc.  
91 Avenel Street  
Avenel, NJ 07001

Web [www.krfilters.com](http://www.krfilters.com)  
Email [sales@krfilters.com](mailto:sales@krfilters.com)  
Phone (732) 636-1900



KR Electronics, Inc.  
 91 Avenel Street  
 Avenel, NJ 07001

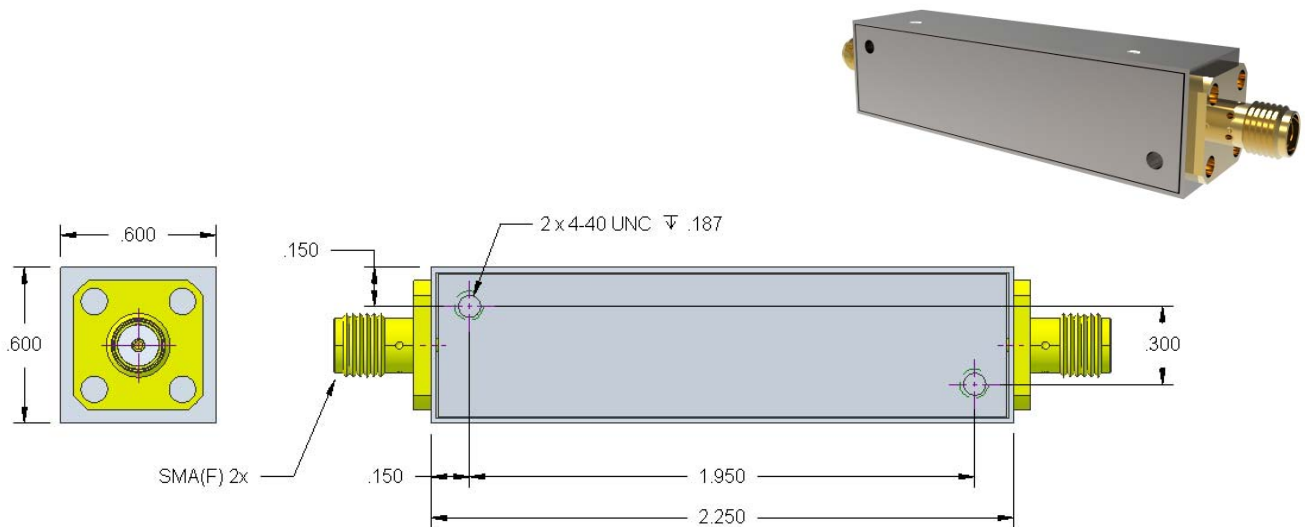
Web www.krfilters.com  
 Email sales@krfilters.com  
 Phone (732) 636-1900  
 Fax (732) 636-1982

# KR Electronics 3408-7-SMA

## Specifications

Parameter	Specification	
Filter type	Highpass	
Start of Passband (<1 dB)	7 MHz	.3 dB typical
-1 dB Frequency	6.36 MHz typical	
-3 dB Frequency	5.87 MHz typical	
-20 dB Frequency	4.20 MHz typical	
-40 dB Frequency	2.78 MHz typical	
-60 dB Frequency	1.4 MHz min	1.75 MHz typical
Source and Load	50 Ω	

## Physical Dimensions



**Notes:**

1. Dimensions in inches
2. Metal Case
3. SMA(F) Connectors

KR Electronics, Inc.  
 91 Avenel Street  
 Avenel, NJ 07001

Web [www.krfilters.com](http://www.krfilters.com)  
 Email [sales@krfilters.com](mailto:sales@krfilters.com)  
 Phone (732) 636-1900  
 Fax (732) 636-1982