

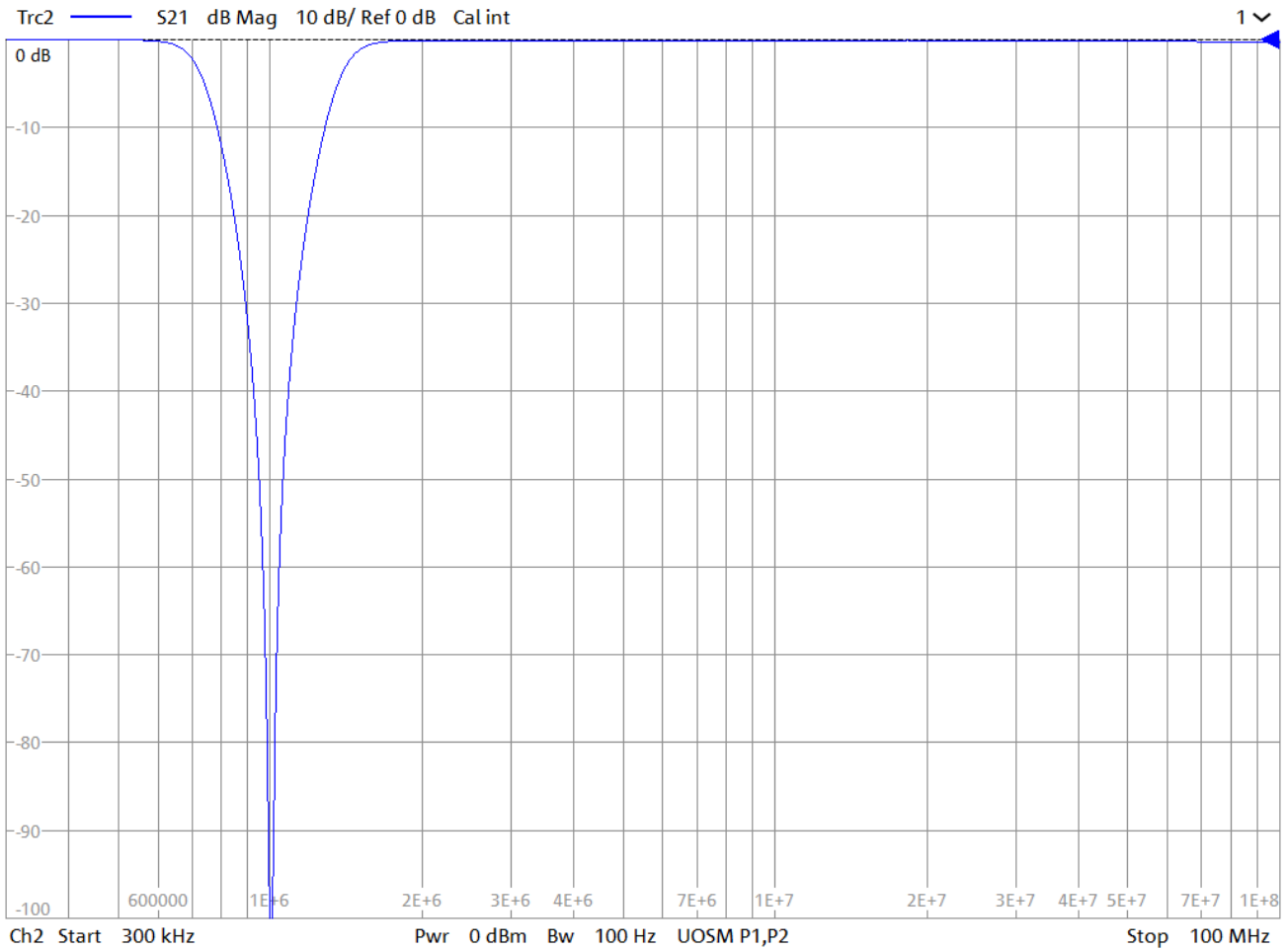
General Description

KR Electronics 3456-1000-SMA is a 1 MHz notch filter. Other notch frequencies are available. Please consult the factory.

Features

- 1 MHz Notch Filter
- High Notch Rejection >60 dB
- 50Ω Source & Load
- SMA Connectors
- Other configurations available

Typical Performance



KR Electronics, Inc.
91 Avenel Street
Avenel, NJ 07001

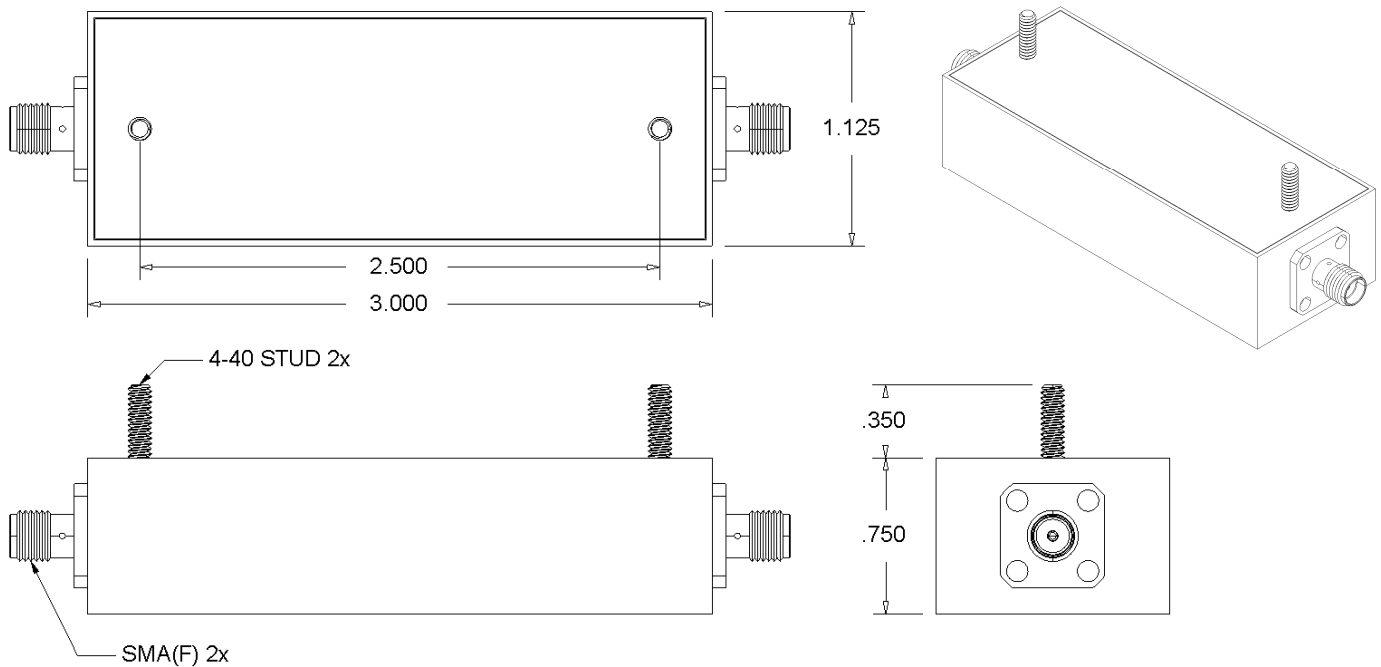
www.krfilters.com
sales@krfilters.com
(732) 636-1900

KR Electronics 3456-1000-SMA

Specifications

Parameter	Specification	Notes
Filter type	Notch	
Notch Frequency Fc	1 MHz	
Rejection at Fc	60 dB min	
3 dB Bandwidth	700 KHz typical	
60 dB Bandwidth	75 KHz typical	
Source and Load	50 Ω	

Physical Dimensions



- Notes:
1. Dimensions in inches