

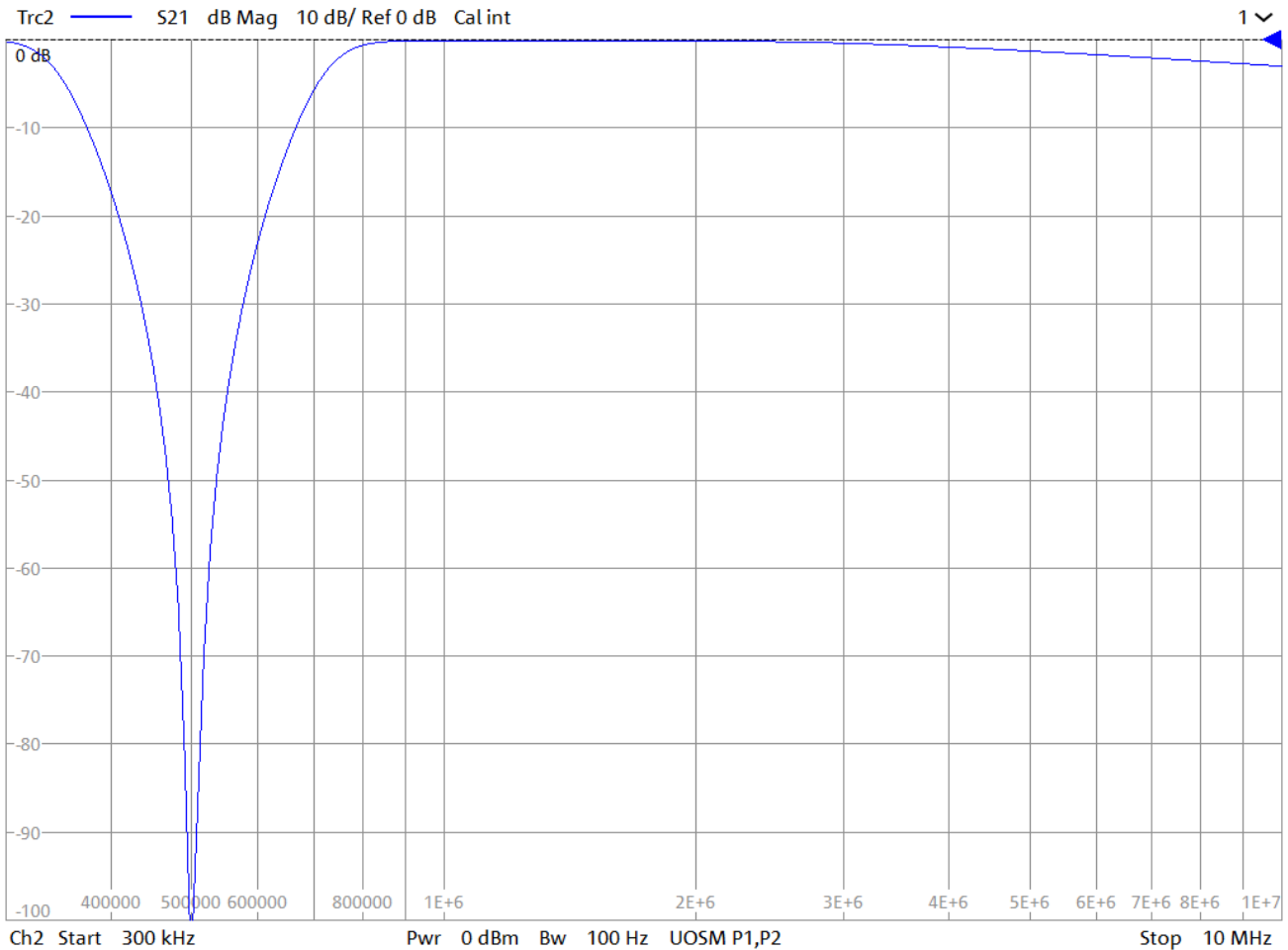
General Description

KR Electronics 3456-500-SMA is a 500 KHz notch filter. Other notch frequencies are available. Please consult the factory.

Features

- 500 KHz Notch Filter
- High Notch Rejection >60 dB
- 50Ω Source & Load
- SMA Connectors
- Other configurations available

Typical Performance



KR Electronics, Inc.
91 Avenel Street
Avenel, NJ 07001

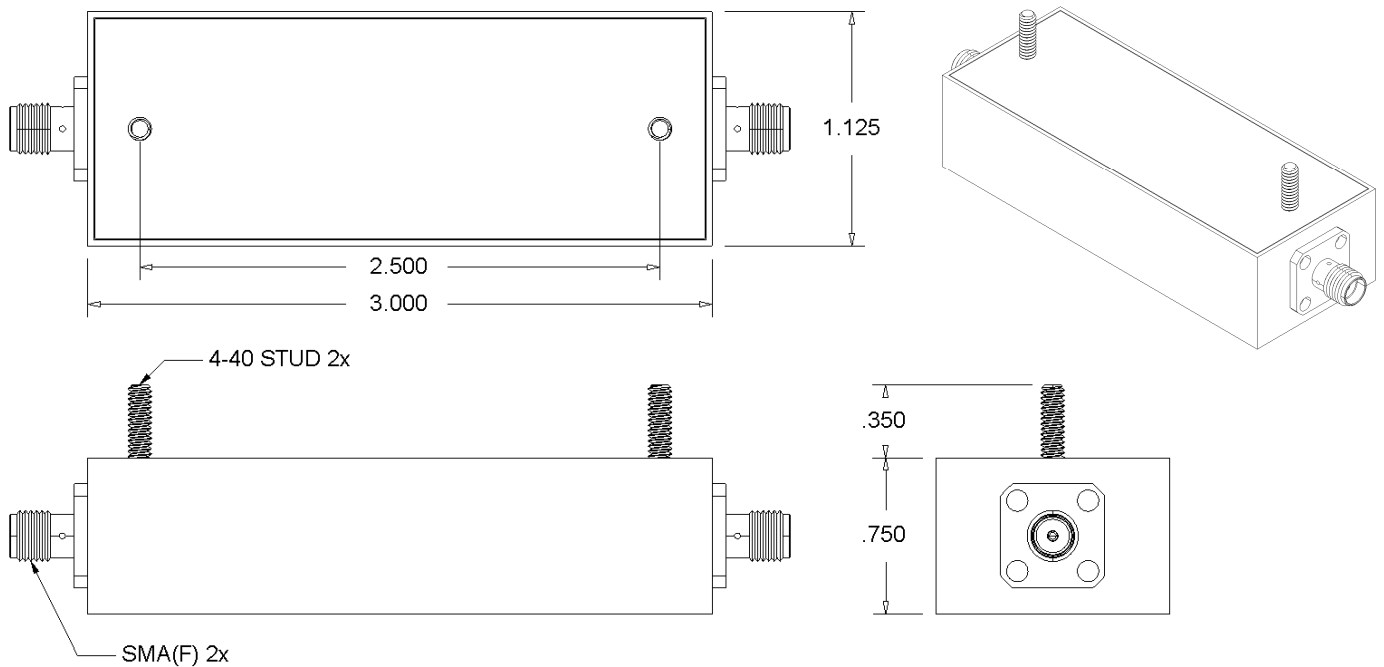
www.krfilters.com
sales@krfilters.com
(732) 636-1900

KR Electronics 3456-500-SMA

Specifications

| Parameter | Specification | Notes |
|--------------------|-----------------|-------|
| Filter type | Notch | |
| Notch Frequency Fc | 500 KHz | |
| Rejection at Fc | 60 dB min | |
| 3 dB Bandwidth | 392 KHz typical | |
| 60 dB Bandwidth | 46 KHz typical | |
| Source and Load | 50 Ω | |
| | | |
| | | |
| | | |
| | | |

Physical Dimensions



Notes:

1. Dimensions in inches